

MIC-730AI

AI Inference System based on NVIDIA Jetson® Xavier



Features

- NVIDIA Jetson™ Xavier embedded
- Fanless compact design
- Support 1 x MiniPCIe & 1 x M.2 (PCIe2 NVMe)
- Bundle with Linux Ubuntu 18.04
- Low power consumption
- Support PCIe Add-on Card
- Support 24/7 secure remote monitoring, control, and OTA deployment empowered by Allxon (support JetPack 4.4GA and above)

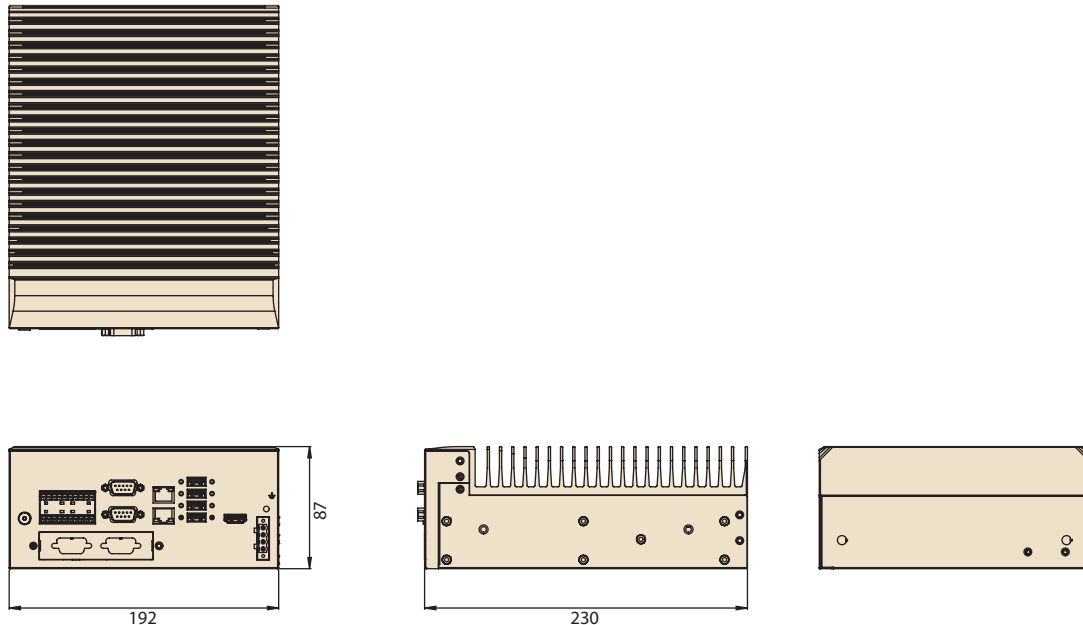


Specifications

		Jetson AGX Xavier
Processor System	GPU	NVIDIA Volta™ architecture with 512 NVIDIA CUDA cores and 64 Tensor cores 11 TFLOPS (FP16) 22 TOPS (INT8)
	CPU	8-core ARM v8.2 64-bit CPU, 8MB L2 + 4MB L3
	DLA	5 TFLOPS (FP16) 10 TOPS (INT8)
	Memory	16/32 GB 256-bit LPDDR4x 2133MHz - 137GB/s
	Storage	32GB eMMC 5.1
Ethernet	Interface	RJ45 x 2
	Controller	LAN1: Intel i210 LAN2: Marvell 88E1512
	Speed	10/100/1000 Mbps
I/O	Display	HDMI (Max. resolution 3840x2160 @ 60Hz)
	USB	Internal: 1 x USB2.0 External: 2 x USB2.0, 2 x USB3.0
	DI/DO	16 bit (8In/8Out)
	Power Switch	Power ON/OFF Button x 1 (AT/ATX , Default : AT)
	OTG USB	MicroUSB x 1 (Internal)
	COM	2 x RS-232/RS-422/RS-485
Expansion	PCIe	Optional by iModule 1 x PCIe8 > MIC-75M10-00A1 1 x PCIe16 + 1 x PCIe4 > MIC-75M20-00C1 (x16 slot, x8 lanes)
	MiniPCIe	1
Storage	Storage	2.5" HDD/SSD (Max. 9.5mm) x 1 (Internal) 1 x M.2 (NVMe 2280, PCIe2)
Power	Type	AT/ATX
	Power supply Voltage	9-36V, 11-3A
Environment	Operational Temperature	nvpmode1 MODE_30W_ALL: -10~+60°C with 0.7 m/s air flow MAXN: -10~+55°C with 0.7 m/s air flow
	Operating Humidity	95% @ 40 °C (non-condensing)
	Vibration	0.5Grms @ 5 ~ 500 Hz, random, 1 hr/axis (With HDD)
Mechanical	Dimensions (W x D x H)	Core Module: 192 x 230 x 87 (mm)
	Weight	4.5 kg
	Installation	Desktop / Wall mount
Operating System	Linux	Ubuntu 18.04
Certifications		UL/CB/CE/FCC/BSMI/CCC (No RED certification)

Dimensions

Unit: mm



Ordering Information

Part Number	NVIDIA Module	Memory	eMMC	SD card
MIC-730AI-10A1	AGX Xavier	32G	32G	YES
MIC-730AI-10A2	AGX Xavier	32G	32G	-

Packing List

Part Number	Description	Quantity
MIC-730AI	AI Inference System based on NVIDIA Jetson® Xavier	1
1652003234	Power terminal block 4P	1
1652010202	DI/DO terminal block 10P	2
1700013095-01	SATA cable	1
1700023619-01	Micro USB cable for system recovery	1
1700024372-01	SATA power cable	1
1960070543T007	Mounting bracket	2
1990008871S000	2.5 HDD Rubber	4
1930008089	MiniPCIe screw	2
1930005673-11	M.2 screw	1

Optional

Part Number	Description
96PSA-A230W24P4-3	Adaptor A/D, 100-240V, 230W, 24V
96PSA-A150W19P4-3	Adaptor A/D, 100-240V, 150W, 19V
1702002600	Power Cord (USA) UL/CSA, 3-pin, 10A, 125V, 1.83 M, 180 D
1700029019-01	Power Cord (PSE/BSMI), 3-pin, 7A, 125V, 1.8m, DAC-ST01
1702002605	Power Cord (EU) 2-pin, 10/16A, 220V, 1.83 M, 90 D
1960065854N001	PCM series module bracket
MIC-75M10-00A1	iModule (1 x PCIe x8)
MIC-75M20-00C1	iModule (1 x PCIe x16 + 1 x PCIe x4 , x16 slot, x8 lanes)
98RV710AL00	Allxon OOB module

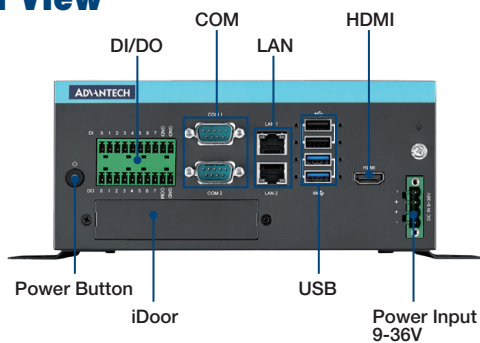
Remote Management Enrollment

Enroll in 24/7 secure service to get full feature of remote device management on one centralized cloud portal - Allxon Portal.

*Support JetPack 4.4GA and above

Enrollment Page: https://allxon.com/jetson/device_enroll/

Front View





VISION CONSULTANCY
MAKING THE UNSEEN VISIBLE

Thank you for downloading this document from
www.machine-vision-shop.com

If you have any questions, you need help composing the
right package for your application or do you want to order?

Feel free to contact us via e-mail at sales@vision-consultancy.nl or visit our webshop.

Our vision experts are happy to help you.



Natascha Overhof



Christian Cromptvoets



VISION CONSULTANCY

Robert Schumandomein 2
6229 ES Maastricht
The Netherlands

+31 (0) 438 522 651

sales@vision-consultancy.nl
www.machine-vision-shop.com

Scan me to visit
[machine-vision-shop](http://machine-vision-shop.com)

