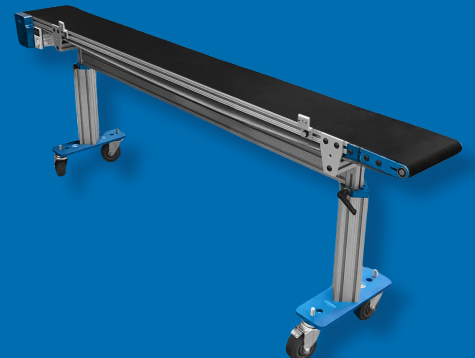
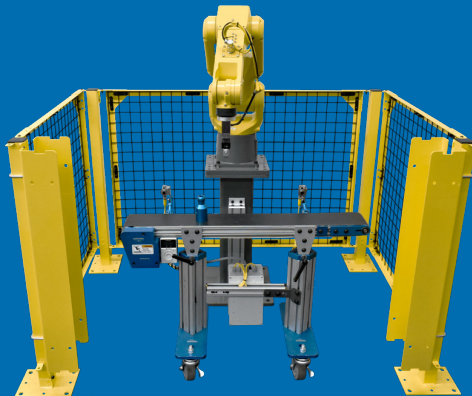
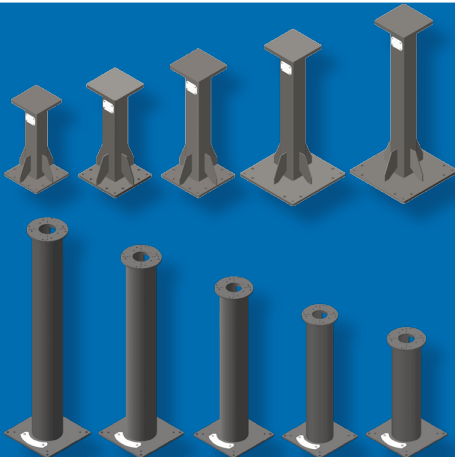
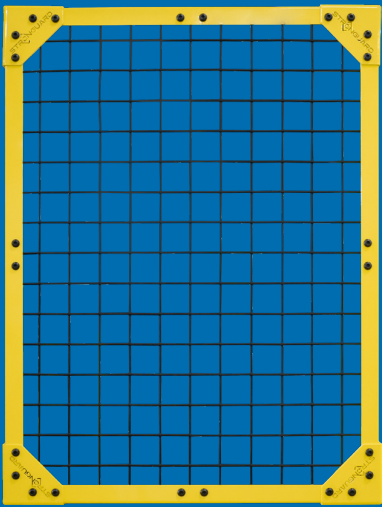




Swivellink®
INTELLIGENTLY DESIGNED

PRODUCT CATALOG





The Swivellink® product line originally started out with a need to mount operator start buttons onto custom-built industrial machinery. The truth is, we didn't develop the product to sell, but to solve a problem on our own production lines. We knew the design needed to be robust and flexible. The goal was to protect the expensive button and route the quick disconnect cable internally, because a simple wire break or damaged button can cause hours of costly production downtime.

Soon after it was designed, others quickly saw the value in it as well, and sales took off without much effort. The Swivellink® product was unique and offered multiple benefits. Once it gained traction in the market, we found new and more creative ways to solve other mounting problems. We added solutions to mount cameras, sensors, lights, robotic end-of-arm tooling, etc. Swivellink® is now offered in 3 different sizes, XS, Standard, & Heavy Duty, and comes in Metric or Imperial. (Heavy Duty only available in Imperial sizes)

As Swivellink® sets out to provide innovative products, other automation solutions have been developed through the years. Swivellink® now offers complete conveyors, modular guarding (Stronguard®), robot pedestals, and a safety validation device (PLx).

Now distributed worldwide, the Swivellink® product line has been used for hundreds of different applications in all types of industries. Our goal is to intelligently design a flexible product line that will solve automation problems. The possibilities are endless.

MOUNT THESE GREAT BRANDS, AND MORE!



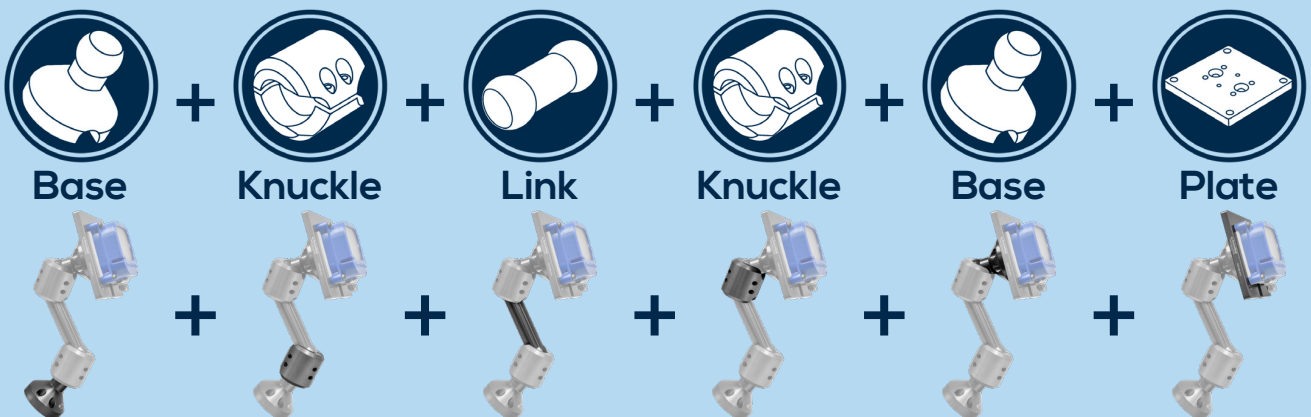
*All logos are the intellectual property of the respective companies they represent.

Be sure to visit the Brand Match section on our website as we are always adding new brands and plates!

swivellink.com/product-brand-match

IMPERIAL		METRIC	
Part #	Description	Part #	Description
Bases			
AFSB-1	Standard Ball Base	SLM-1	Standard Ball Base
AFSB-1XS	Small Ball Base	SLM-1XS	Small Ball Base
AFSB-1HD	Heavy Duty Ball Base	----	----
AFSB-1-15	Ball Base For Aluminum Extrusion	SLM-1-40	Ball Base For Aluminum Extrusion
Knuckles			
AFSB-2	Standard Knuckle	SLM-2	Standard Knuckle
AFSB-290	Standard Tee Knuckle	SLM-290	Standard Tee Knuckle
AFSB-2XS	Small Knuckle	SLM-2XS	Small Knuckle
AFSB-2XS90	Small Tee Knuckle	SLM-2XS90	Small Tee Knuckle
AFSB-2HD	Heavy Duty Knuckle	----	----
AFSB-2-2XS	Coupler	SLM-2-2XS	Coupler
Links			
AFSB-3-2	2" Link	SLM-3-50	50mm Link
AFSB-3-4	4" Link	SLM-3-100	100mm Link
AFSB-3-6	6" Link	SLM-3-150	150mm Link
AFSB-3-8	8" Link	SLM-3-200	200mm Link
AFSB-3-12	12" Link	SLM-3-300	300mm Link
AFSB-3T	Tee Link	SLM-3T	Tee Link
AFSB-3-2XS	Small 2" Link	SLM-3-50XS	Small 50mm Link
AFSB-3-4XS	Small 4" Link	SLM-3-100XS	Small 100mm Link
AFSB-3XST	Small Tee Link	SLM-3XST	Small Tee Link
AFSB-3-4HD	Heavy Duty 4" Link	----	----
AFSB-3-6HD	Heavy Duty 6" Link	----	----
AFSB-3TSL-0610	Telescoping Link	SLM-3TSL-150250	Telescoping Link

Create Your Swivellink Mount!



MOUNTING PLATE BY BRAND

IMPERIAL		METRIC		Fits
Part #	Mounts to	Part #	Mounts to	
Advanced Illumination				
AFSB-660-AI	AFSB-1, AFSB-1XS	SLM-660-AI	SLM-1, SLM-1XS	AL116, AL126, AL143, AL150, AL179, AL295, AL4424, AL4554, AL46120, DL085, DL110, DL37100, DL38144, LL174, LL5806, LL6324
AFSB-661-AI-RL	AFSB-1, AFSB-1XS	SLM-661-AI-RL	SLM-1, SLM-1XS	RL113, RL127, RL169, RL1424, RL1660, RL2316, RL3536, RL3940, RL5064, RL36120
AFSB-662-AI-FX	AFSB-1, AFSB-1XS	SLM-662-AI-FX	SLM-1, SLM-1XS	FX0808
AFSB-663XS-AI	AFSB-1XS	SLM-663XS-AI	SLM-1XS	AL116, AL126, AL143, AL295, DL072, DL104, DL2449, DL3316
AFSB-9	AFSB-1, AFSB-1XS	SLM-9	SLM-1, SLM-1XS	DF198-115 w/o Camera Plate, SL-S100150
Allen Bradley				
AFSB-621-L300	AFSB-1, AFSB-1XS	SLM-621-L300	SLM-1, SLM-1XS	440L bar lights
AFSB-630XS-30	AFSB-1XS	SLM-630XS-30	SLM-1XS	Sensor Mount 30MM
AFSB-7	AFSB-2, AFSB-290, AFSB-2-2XS	SLM-7	SLM-2, SLM-290, SLM-2-2XS	Barrel Type Sensor 30MM
AFSB-7XS	AFSB-2XS, AFSB-2-2XS, AFSB-2XS90	SLM-7XS	SLM-2XS, SLM-2-2XS, SLM-2XS90	Barrel Type Sensor 12MM
AFSB-8	AFSB-2, AFSB-290, AFSB-2-2XS	SLM-8	SLM-2, SLM-290, SLM-2-2XS	Barrel Type Sensor 18MM
AFSB-8XS	AFSB-2XS, AFSB-2-2XS, AFSB-2XS90	SLM-8XS	SLM-2XS, SLM-2-2XS, SLM-2XS90	Barrel Type Sensor 8MM
AFSB-SB-8	AFSB-SBH, AFSB-SBH-XS	SLM-SB-8	SLM-SBH, SLM-SBH-XS	Sensor Mount 8MM
AFSB-SB-12	AFSB-SBH, AFSB-SBH-XS	SLM-SB-12	SLM-SBH, SLM-SBH-XS	Sensor Mount 12MM
AFSB-SB-18	AFSB-SBH, AFSB-SBH-XS	SLM-SB-18	SLM-SBH, SLM-SBH-XS	Sensor Mount 18MM
AFSB-SB-30	AFSB-SBH, AFSB-SBH-XS	SLM-SB-30	SLM-SBH, SLM-SBH-XS	Sensor Mount 30MM
Allied Vision				
AFSB-500XS-D-GB	AFSB-1XS	SLM-500XS-D-GB	SLM-1XS	Manta G-125, Manta G-201, Manta G-507, Prosilica GC2450, Prosilica GE1650, Prosilica GT4907
AFSB-521-C-DI	AFSB-1, AFSB-1XS	SLM-521-C-DI	SLM-1, SLM-1XS	Mako U and Mako G
AFSB-535XS-B-ACA2500	AFSB-1XS	SLM-535XS-B-ACA2500	SLM-1XS	Mako U and Mako G
AFSB-550-K-CVIV	AFSB-1, AFSB-1XS	SLM-550-K-CVIV	SLM-1, SLM-1XS	Prosilica GE1650
AFSB-560-D-AMT	AFSB-1, AFSB-1XS	SLM-560-D-AMT	SLM-1, SLM-1XS	Manta G-507, Prosilica GC2450, Prosilica GE1650, Prosilica GT4907
AFSB-575XS-IDS-CP	AFSB-1XS	SLM-575XS-IDS-CP	SLM-1XS	Prosilica GE1650
Avalon				
AFSB-521-C-DI	AFSB-1, AFSB-1XS	SLM-521-C-DI	SLM-1, SLM-1XS	90743
AFSB-535XS-B-ACA2500	AFSB-1XS	SLM-535XS-B-ACA2500	SLM-1XS	90743
AFSB-560-D-AMT	AFSB-1, AFSB-1XS	SLM-560-D-AMT	SLM-1, SLM-1XS	90743
Balluff				
AFSB-585-BVS-E	AFSB-1, AFSB-1XS	SLM-585-BVS-E	SLM-1, SLM-1XS	BVS-E Sensor
AFSB-630XS-30	AFSB-1XS	SLM-630XS-30	SLM-1XS	Sensor Mount 30MM
AFSB-7	AFSB-2, AFSB-290, AFSB-2-2XS	SLM-7	SLM-2, SLM-290, SLM-2-2XS	Barrel Type Sensor 30MM
AFSB-7XS	AFSB-2XS, AFSB-2-2XS, AFSB-2XS90	SLM-7XS	SLM-2XS, SLM-2-2XS, SLM-2XS90	Barrel Type Sensor 12MM
AFSB-8	AFSB-2, AFSB-290, AFSB-2-2XS	SLM-8	SLM-2, SLM-290, SLM-2-2XS	Barrel Type Sensor 18MM
AFSB-8XS	AFSB-2XS, AFSB-2-2XS, AFSB-2XS90	SLM-8XS	SLM-2XS, SLM-2-2XS, SLM-2XS90	Barrel Type Sensor 8MM
AFSB-SB-8	AFSB-SBH, AFSB-SBH-XS	SLM-SB-8	SLM-SBH, SLM-SBH-XS	Sensor Mount 8MM
AFSB-SB-12	AFSB-SBH, AFSB-SBH-XS	SLM-SB-12	SLM-SBH, SLM-SBH-XS	Sensor Mount 12MM
AFSB-SB-18	AFSB-SBH, AFSB-SBH-XS	SLM-SB-18	SLM-SBH, SLM-SBH-XS	Sensor Mount 18MM
AFSB-SB-30	AFSB-SBH, AFSB-SBH-XS	SLM-SB-30	SLM-SBH, SLM-SBH-XS	Sensor Mount 30MM

MOUNTING PLATE BY BRAND

IMPERIAL		METRIC		Fits
Part #	Mounts to	Part #	Mounts to	
Baumer				
AFSB-500XS-D-GB	AFSB-1XS	SLM-500XS-D-GB	SLM-1XS	V CXG
AFSB-532-B-IVU	AFSB-1, AFSB-1XS	SLM-532-B-IVU	SLM-1, SLM-1XS	OHDK 14N5101
AFSB-560-D-AMT	AFSB-1, AFSB-1XS	SLM-560-D-AMT	SLM-1, SLM-1XS	TXG50M3, VCXG
AFSB-580-B-VS	AFSB-1, AFSB-1XS	SLM-580-B-VS	SLM-1, SLM-1XS	CS100, ID100, ID110, XC100, XC200, XF100, XF200, VCXG-32M
AFSB-630XS-30	AFSB-1XS	SLM-630XS-30	SLM-1XS	Sensor Mount 30MM
AFSB-660-AI	AFSB-1, AFSB-1XS	SLM-660-AI	SLM-1, SLM-1XS	Poscon OXE7.E25T
AFSB-7	AFSB-2, AFSB-290, AFSB-2-2XS	SLM-7	SLM-2, SLM-290, SLM-2-2XS	Barrel Type Sensor 30MM
AFSB-7XS	AFSB-2XS, AFSB-2-2XS, AFSB-2XS90	SLM-7XS	SLM-2XS, SLM-2-2XS, SLM-2XS90	Barrel Type Sensor 12MM
AFSB-8	AFSB-2, AFSB-290, AFSB-2-2XS	SLM-8	SLM-2, SLM-290, SLM-2-2XS	Barrel Type Sensor 18MM
AFSB-8XS	AFSB-2XS, AFSB-2-2XS, AFSB-2XS90	SLM-8XS	SLM-2XS, SLM-2-2XS, SLM-2XS90	Barrel Type Sensor 8MM
AFSB-SB-8	AFSB-SBH, AFSB-SBH-XS	SLM-SB-8	SLM-SBH, SLM-SBH-XS	Sensor Mount 8MM
AFSB-SB-12	AFSB-SBH, AFSB-SBH-XS	SLM-SB-12	SLM-SBH, SLM-SBH-XS	Sensor Mount 12MM
AFSB-SB-18	AFSB-SBH, AFSB-SBH-XS	SLM-SB-18	SLM-SBH, SLM-SBH-XS	Sensor Mount 18MM
AFSB-SB-30	AFSB-SBH, AFSB-SBH-XS	SLM-SB-30	SLM-SBH, SLM-SBH-XS	Sensor Mount 30MM
Carlo Gavazzi				
AFSB-630XS-30	AFSB-1XS	SLM-630XS-30	SLM-1XS	Sensor Mount 30MM
AFSB-7	AFSB-2, AFSB-290, AFSB-2-2XS	SLM-7	SLM-2, SLM-290, SLM-2-2XS	Barrel Type Sensor 30MM
AFSB-7XS	AFSB-2XS, AFSB-2-2XS, AFSB-2XS90	SLM-7XS	SLM-2XS, SLM-2-2XS, SLM-2XS90	Barrel Type Sensor 12MM
AFSB-8	AFSB-2, AFSB-290, AFSB-2-2XS	SLM-8	SLM-2, SLM-290, SLM-2-2XS	Barrel Type Sensor 18MM
AFSB-SB-12	AFSB-SBH, AFSB-SBH-XS	SLM-SB-12	SLM-SBH, SLM-SBH-XS	Sensor Mount 12MM
AFSB-SB-18	AFSB-SBH, AFSB-SBH-XS	SLM-SB-18	SLM-SBH, SLM-SBH-XS	Sensor Mount 18MM
AFSB-SB-30	AFSB-SBH, AFSB-SBH-XS	SLM-SB-30	SLM-SBH, SLM-SBH-XS	Sensor Mount 30MM
CCS America				
AFSB-1-CCS-EL-HDWR	AFSB-2, AFSB-290, AFSB-2-2XS	SLM-1-CCS-EL-HDWR	SLM-2, SLM-290, SLM-2-2XS	ELB300, ELFB300, ELF200X200
AFSB-1-15-CCS-EL-HDWR	AFSB-2, AFSB-290, AFSB-2-2XS	SLM-1-15-CCS-EL-HDWR	SLM-2, SLM-290, SLM-2-2XS	ELB300, ELFB300, ELF200X200
AFSB-5	AFSB-1, AFSB-1XS	SLM-5	SLM-1, SLM-1XS	LFV3-70RD
AFSB-500XS-D-GB	AFSB-1XS	SLM-500XS-D-GB	SLM-1XS	IQRL-109028, QBR-109028-47, QBR-109028-52, QBR-109028-66, QBR-109028-IR95, QBR-109028-SW
AFSB-501-M-GTR	AFSB-1, AFSB-1XS	SLM-501-M-GTR	SLM-1, SLM-1XS	LFV3-70RD
AFSB-517S-LECTOR64X65X	AFSB-1, AFSB-1XS	SLM-517S-LECTOR64X65X	SLM-1, SLM-1XS	ELSB-105
AFSB-520XS-C-DMIC	AFSB-1XS	SLM-520XS-C-DMIC	SLM-1XS	QLA-074050-47, QLA-074050-52, QLA-074050-66, QLA-074050-SW
AFSB-521-C-DI	AFSB-1, AFSB-1XS	SLM-521-C-DI	SLM-1, SLM-1XS	LDL2-80X16RD, LDL2-50X30SW2
AFSB-560-D-AMT	AFSB-1, AFSB-1XS	SLM-560-D-AMT	SLM-1, SLM-1XS	TH2-51X51BL-PM
AFSB-561-D-MATRIX	AFSB-1, AFSB-1XS	SLM-561-D-MATRIX	SLM-1, SLM-1XS	LFV3-70RD
AFSB-571-G-2320	AFSB-1, AFSB-1XS	SLM-571-G-2320	SLM-1, SLM-1XS	HLDL2-150x45SW-DF-N, HLDL2-150x45SW-DF-W
AFSB-580-B-VS	AFSB-1, AFSB-1XS	SLM-580-B-VS	SLM-1, SLM-1XS	LN-60SW-HK-STK
AFSB-592-M-QX-830-870	AFSB-1, AFSB-1XS	SLM-592-M-QX-830-870	SLM-1, SLM-1XS	ELSB-55
AFSB-650-HPD100-150	AFSB-1, AFSB-1XS	SLM-650-HPD100-150	SLM-1, SLM-1XS	HPD-100, HPD-150, HPR-100, HPR-150, HPR-200, HPR2-150RD, HPR2-100RD
AFSB-652-C	AFSB-1, AFSB-1XS	SLM-652-C	SLM-1, SLM-1XS	ELR-100
AFSB-653-C	AFSB-1, AFSB-1XS	SLM-653-C	SLM-1, SLM-1XS	ELL-PV-30
AFSB-654-C	AFSB-1, AFSB-1XS	SLM-654-C	SLM-1, SLM-1XS	ELSB-285
AFSB-655-HPD2	AFSB-1, AFSB-1XS	SLM-655-HPD2	SLM-1, SLM-1XS	HPD2-75, HPR2-75
AFSB-9	AFSB-1	SLM-9	SLM-1	LFV3-130RD

MOUNTING PLATE BY BRAND

IMPERIAL		METRIC		Fits
Part #	Mounts to	Part #	Mounts to	
Cognex				
AFSB-5	AFSB-1, AFSB-1XS	SLM-5	SLM-1, SLM-1XS	Checker 100, DM Wall Mount, Dataman (70/100/200), Insight (5000/5100/5100C/5400/5400C/5401/5403/5604/5605/5705/9902L/9912/IP67), DVT Legend 500
AFSB-501-M-GTR	AFSB-1, AFSB-1XS	SLM-501-M-GTR	SLM-1, SLM-1XS	Insight (9902L/9912)
AFSB-520XS-C-DMIC	AFSB-1XS	SLM-520XS-C-DMIC	SLM-1XS	Dataman (70/100/150/200/260/262/360/500), Insight Micro, Insight 1100, 4G, 4GX, and Checker 200.
AFSB-521-C-DI	AFSB-1, AFSB-1XS	SLM-521-C-DI	SLM-1, SLM-1XS	CAM-CIC-5000, CAM-CIC-5MR-14-GC, DS1000 w/ Precision Adapter, DS1101, Dataman (70/300/302L/360/370/470/474), Insight (7000/7500/7600/7800/7905)
AFSB-522XS-C-DM5060	AFSB-2XS, AFSB-2-2XS, AFSB-2XS90	SLM-522XS-C-DM5060	SLM-2XS, SLM-2XS90, SLM-2-2XS	Dataman (50DM/60DM)
AFSB-523-C-I2000	AFSB-1, AFSB-1XS	SLM-523-C-I2000	SLM-1, SLM-1XS	Dataman (70/260/360), Insight (2000/8000/8401/9902L)
AFSB-535XS-B-ACA2500	AFSB-1XS	SLM-535XS-B-ACA2500	SLM-1XS	GigE CIC (5MR/10MR/300/1300/2000-60/4000/5000), CAM-CIC-12MR
AFSB-560-D-AMT	AFSB-1, AFSB-1XS	SLM-560-D-AMT	SLM-1, SLM-1XS	GigE CIC-5000
AFSB-623-HPIA	AFSB-1, AFSB-1XS	SLM-623-HPIA	SLM-1, SLM-1XS	DM302-HPIA, DM503-HPIA, ODDM-302, ODDM-503, ODDM-R3VI
AFSB-660-AI	AFSB-1, AFSB-1XS	SLM-660-AI	SLM-1, SLM-1XS	DS1000
AFSB-663XS-AI	AFSB-1XS	SLM-663XS-AI	SLM-1XS	DS1000
AFSB-9	AFSB-1	SLM-9	SLM-1	Vision View 900
Contrinex				
AFSB-630XS-30	AFSB-1XS	SLM-630XS-30	SLM-1XS	Sensor Mount 30MM
AFSB-7	AFSB-2, AFSB-290, AFSB-2-2XS	SLM-7	SLM-2, SLM-290, SLM-2-2XS	Barrel Type Sensor 30MM
AFSB-7XS	AFSB-2XS, AFSB-2-2XS, AFSB-2XS90	SLM-7XS	SLM-2XS, SLM-2-2XS, SLM-2XS90	Barrel Type Sensor 12MM
AFSB-8	AFSB-2, AFSB-290, AFSB-2-2XS	SLM-8	SLM-2, SLM-290, SLM-2-2XS	Barrel Type Sensor 18MM
AFSB-8XS	AFSB-2XS, AFSB-2-2XS, AFSB-2XS90	SLM-8XS	SLM-2XS, SLM-2-2XS, SLM-2XS90	Barrel Type Sensor 8MM
AFSB-SB-8	AFSB-SBH, AFSB-SBH-XS	SLM-SB-8	SLM-SBH, SLM-SBH-XS	Sensor Mount 8MM
AFSB-SB-12	AFSB-SBH, AFSB-SBH-XS	SLM-SB-12	SLM-SBH, SLM-SBH-XS	Sensor Mount 12MM
AFSB-SB-18	AFSB-SBH, AFSB-SBH-XS	SLM-SB-18	SLM-SBH, SLM-SBH-XS	Sensor Mount 18MM
AFSB-SB-30	AFSB-SBH, AFSB-SBH-XS	SLM-SB-30	SLM-SBH, SLM-SBH-XS	Sensor Mount 30MM
Dalsa				
AFSB-5	AFSB-1, AFSB-1XS	SLM-5	SLM-1, SLM-1XS	BVS-1024M-INS, BVS-200 Series, Boa 50-1600M-INS, Boa IV 150, Boa IV 500, Boa IV 2000
AFSB-500XS-D-GB	AFSB-1XS	SLM-500XS-D-GB	SLM-1XS	A-CAM-G3-M11-M2020, A-CAM-GM1600-00, BVS-1024M-INS, Boa 50-1600M-INS, Boa BVS-0640, Genie M1600, Genie Nano-2450, Genie Nano-M1920, A-CAM-G3-M11-M2420, TS-C4096, TS-M1920, BVS-200 Series, Genie Nano
AFSB-540-IFM	AFSB-1, AFSB-1XS	SLM-540-IFM	SLM-1, SLM-1XS	Boa 2 Vision
AFSB-550-K-CVIV	AFSB-1, AFSB-1XS	SLM-550-K-CVIV	SLM-1, SLM-1XS	Boa 50-1600M-INS, BVS-1024M-INS, BVS-200 Series
AFSB-560-D-AMT	AFSB-1, AFSB-1XS	SLM-560-D-AMT	SLM-1, SLM-1XS	Genie Nano-2450, A-CAM-G3-M11-M2420, Genie Nano-XL, A-CAM-G3-M11-M2020, Genie Nano
AFSB-561-D-MATRIX	AFSB-1, AFSB-1XS	SLM-561-D-MATRIX	SLM-1, SLM-1XS	BVS-200 Series
AFSB-580-B-VS	AFSB-1, AFSB-1XS	SLM-580-B-VS	SLM-1, SLM-1XS	BOA Spot Vision

MOUNTING PLATE BY BRAND

IMPERIAL		METRIC		Fits
Part #	Mounts to	Part #	Mounts to	
Datalogic				
AFSB-510XS-S-XC56	AFSB-2XS, AFSB-2-2XS, AFSB-2XS90	SLM-510XS-S-XC56	SLM-2XS, SLM-2XS90, SLM-2-2XS	MX-U series
AFSB-560-D-AMT	AFSB-1, AFSB-1XS	SLM-560-D-AMT	SLM-1, SLM-1XS	A20, M1XX w/o bracket, M1/M2/M3XXT series brackets w/ metric & standard holes, M2XX/M3XX/T series without bracket, MX-E series.
AFSB-561-D-MATRIX	AFSB-1, AFSB-1XS	SLM-561-D-MATRIX	SLM-1, SLM-1XS	Matrix (210/300/410/450), A30, P Series, T4X
AFSB-580-B-VS	AFSB-1, AFSB-1XS	SLM-580-B-VS	SLM-1, SLM-1XS	DS2100N
AFSB-585-BVS-E	AFSB-1, AFSB-1XS	SLM-585-BVS-E	SLM-1, SLM-1XS	TL46 Series, VS-2 Series
AFSB-630XS-30	AFSB-1XS	SLM-630XS-30	SLM-1XS	Sensor Mount 30MM
AFSB-7	AFSB-2, AFSB-290, AFSB-2-2XS	SLM-7	SLM-2, SLM-290, SLM-2-2XS	Barrel Type Sensor 30MM
AFSB-7XS	AFSB-2XS, AFSB-2-2XS, AFSB-2XS90	SLM-7XS	SLM-2XS, SLM-2-2XS, SLM-2XS90	Barrel Type Sensor 12MM
AFSB-8	AFSB-2, AFSB-290, AFSB-2-2XS	SLM-8	SLM-2, SLM-290, SLM-2-2XS	Barrel Type Sensor 18MM
AFSB-8XS	AFSB-2XS, AFSB-2-2XS, AFSB-2XS90	SLM-8XS	SLM-2XS, SLM-2-2XS, SLM-2XS90	Barrel Type Sensor 8MM
AFSB-SB-8	AFSB-SBH, AFSB-SBH-XS	SLM-SB-8	SLM-SBH, SLM-SBH-XS	Sensor Mount 8MM
AFSB-SB-12	AFSB-SBH, AFSB-SBH-XS	SLM-SB-12	SLM-SBH, SLM-SBH-XS	Sensor Mount 12MM
AFSB-SB-18	AFSB-SBH, AFSB-SBH-XS	SLM-SB-18	SLM-SBH, SLM-SBH-XS	Sensor Mount 18MM
AFSB-SB-30	AFSB-SBH, AFSB-SBH-XS	SLM-SB-30	SLM-SBH, SLM-SBH-XS	Sensor Mount 30MM
Di-Soric				
AFSB-585-BVS-E	AFSB-1, AFSB-1XS	SLM-585-BVS-E	SLM-1, SLM-1XS	BEK 1-P14-GITI-IBS
AFSB-630XS-30	AFSB-1XS	SLM-630XS-30	SLM-1XS	Sensor Mount 30MM
AFSB-7	AFSB-2, AFSB-290, AFSB-2-2XS	SLM-7	SLM-2, SLM-290, SLM-2-2XS	Barrel Type Sensor 30MM
AFSB-7XS	AFSB-2XS, AFSB-2-2XS, AFSB-2XS90	SLM-7XS	SLM-2XS, SLM-2-2XS, SLM-2XS90	Barrel Type Sensor 12MM
AFSB-8	AFSB-2, AFSB-290, AFSB-2-2XS	SLM-8	SLM-2, SLM-290, SLM-2-2XS	Barrel Type Sensor 18MM
AFSB-8XS	AFSB-2XS, AFSB-2-2XS, AFSB-2XS90	SLM-8XS	SLM-2XS, SLM-2-2XS, SLM-2XS90	Barrel Type Sensor 8MM
AFSB-SB-8	AFSB-SBH, AFSB-SBH-XS	SLM-SB-8	SLM-SBH, SLM-SBH-XS	Sensor Mount 8MM
AFSB-SB-12	AFSB-SBH, AFSB-SBH-XS	SLM-SB-12	SLM-SBH, SLM-SBH-XS	Sensor Mount 12MM
AFSB-SB-18	AFSB-SBH, AFSB-SBH-XS	SLM-SB-18	SLM-SBH, SLM-SBH-XS	Sensor Mount 18MM
AFSB-SB-30	AFSB-SBH, AFSB-SBH-XS	SLM-SB-30	SLM-SBH, SLM-SBH-XS	Sensor Mount 30MM
FANUC				
AFSB-535XS-B-ACA2500	AFSB-1XS	SLM-535XS-B-ACA2500	SLM-1XS	R-30iB Plus Coax Camera
FLIR				
AFSB-585-BVS-E	AFSB-1, AFSB-1XS	SLM-585-BVS-E	SLM-1, SLM-1XS	A615 Series
GoPro				
AFSB-570XS-GP	AFSB-2XS, AFSB-2-2XS, AFSB-2XS90	SLM-570XS-GP	SLM-2XS, SLM-2-2XS, SLM-2XS90	GoPro camera
HTM				
AFSB-630XS-30	AFSB-1XS	SLM-630XS-30	SLM-1XS	Sensor Mount 30MM
AFSB-7	AFSB-2, AFSB-290, AFSB-2-2XS	SLM-7	SLM-2, SLM-290, SLM-2-2XS	Barrel Type Sensor 30MM
AFSB-7XS	AFSB-2XS, AFSB-2-2XS, AFSB-2XS90	SLM-7XS	SLM-2XS, SLM-2-2XS, SLM-2XS90	Barrel Type Sensor 12MM
AFSB-8	AFSB-2, AFSB-290, AFSB-2-2XS	SLM-8	SLM-2, SLM-290, SLM-2-2XS	Barrel Type Sensor 18MM
AFSB-8XS	AFSB-2XS, AFSB-2-2XS, AFSB-2XS90	SLM-8XS	SLM-2XS, SLM-2-2XS, SLM-2XS90	Barrel Type Sensor 8MM
AFSB-SB-8	AFSB-SBH, AFSB-SBH-XS	SLM-SB-8	SLM-SBH, SLM-SBH-XS	Sensor Mount 8MM
AFSB-SB-12	AFSB-SBH, AFSB-SBH-XS	SLM-SB-12	SLM-SBH, SLM-SBH-XS	Sensor Mount 12MM
AFSB-SB-18	AFSB-SBH, AFSB-SBH-XS	SLM-SB-18	SLM-SBH, SLM-SBH-XS	Sensor Mount 18MM
AFSB-SB-30	AFSB-SBH, AFSB-SBH-XS	SLM-SB-30	SLM-SBH, SLM-SBH-XS	Sensor Mount 30MM

MOUNTING PLATE BY BRAND

IMPERIAL		METRIC		Fits
Part #	Mounts to	Part #	Mounts to	
IDS				
AFSB-521-C-DI	AFSB-1, AFSB-1XS	SLM-521-C-DI	SLM-1, SLM-1XS	UI-3480-LE-M-GL
AFSB-535XS-B-ACA2500	AFSB-1XS	SLM-535XS-B-ACA2500	SLM-1XS	UI-3480-LE-M-GL
AFSB-550-K-CVIV	AFSB-1, AFSB-1XS	SLM-550-K-CVIV	SLM-1, SLM-1XS	UI-3060CP-C-HQ
AFSB-560-D-AMT	AFSB-1, AFSB-1XS	SLM-560-D-AMT	SLM-1, SLM-1XS	UI-3480-LE-M-GL
AFSB-575XS-IDS-CP	AFSB-1XS	SLM-575XS-IDS-CP	SLM-1XS	UI-3060CP-C-HQ, IDS GigE UEye CP, IDS USB3 uEye Cp Cameras
IFM				
AFSB-5	AFSB-1, AFSB-1XS	SLM-5	SLM-1, SLM-1XS	O5H500
AFSB-500XS-D-GB	AFSB-1XS	SLM-500XS-D-GB	SLM-1XS	O5H500
AFSB-530-B-P4	AFSB-1, AFSB-1XS	SLM-530-B-P4	SLM-1, SLM-1XS	O3D302
AFSB-540-IFM	AFSB-1, AFSB-1XS	SLM-540-IFM	SLM-1, SLM-1XS	O1D100, O2D220, O2V100, O3D200, O3D201
AFSB-550-K-CVIV	AFSB-1, AFSB-1XS	SLM-550-K-CVIV	SLM-1, SLM-1XS	O5H500
AFSB-630XS-30	AFSB-1XS	SLM-630XS-30	SLM-1XS	Sensor Mount 30MM
AFSB-7	AFSB-2, AFSB-290, AFSB-2-2XS	SLM-7	SLM-2, SLM-290, SLM-2-2XS	Barrel Type Sensor 30MM
AFSB-7XS	AFSB-2XS, AFSB-2-2XS, AFSB-2XS90	SLM-7XS	SLM-2XS, SLM-2-2XS, SLM-2XS90	Barrel Type Sensor 12MM
AFSB-8	AFSB-2, AFSB-290, AFSB-2-2XS	SLM-8	SLM-2, SLM-290, SLM-2-2XS	Barrel Type Sensor 18MM
AFSB-8XS	AFSB-2XS, AFSB-2-2XS, AFSB-2XS90	SLM-8XS	SLM-2XS, SLM-2-2XS, SLM-2XS90	Barrel Type Sensor 8MM
AFSB-SB-8	AFSB-SBH, AFSB-SBH-XS	SLM-SB-8	SLM-SBH, SLM-SBH-XS	Sensor Mount 8MM
AFSB-SB-12	AFSB-SBH, AFSB-SBH-XS	SLM-SB-12	SLM-SBH, SLM-SBH-XS	Sensor Mount 12MM
AFSB-SB-18	AFSB-SBH, AFSB-SBH-XS	SLM-SB-18	SLM-SBH, SLM-SBH-XS	Sensor Mount 18MM
AFSB-SB-30	AFSB-SBH, AFSB-SBH-XS	SLM-SB-30	SLM-SBH, SLM-SBH-XS	Sensor Mount 30MM
Imaging Source				
AFSB-510XS-S-XC56	AFSB-2XS, AFSB-2-2XS, AFSB-2XS90	SLM-510XS-S-XC56	SLM-2XS, SLM-2XS90, SLM-2-2XS	DXK23F274, DXK23F445, DXK23F618, DXK23FM021, DXK23FP031, DXK23FV024, DXK23G274, DXK23G445, DXK23G618, DXK23GM021, DXK23GP031, DXK23GV024, DXK23GX174, DXK23U274, DXK23U445, DXK23U618, DXK23UM021, DXK23UP031, DXK23UV024, DXK23UV024, DXX21BF04-Z2.H, DXX31BF03-Z2.H
AFSB-521-C-DI	AFSB-1, AFSB-1XS	SLM-521-C-DI	SLM-1, SLM-1XS	DFKAFU130-L53, DXK23F274, DXK23F445, DXK23F618, DXK23FM021, DXK23FP031, DXK23FV024, DXK23G274, DXK23G445, DXK23G618, DXK23GM021, DXK23GP031, DXK23GV024, DXK23GX174, DXK23U274, DXK23U445, DXK23U618, DXK23UM021, DXK23UP031, DXK23UV024, DXX21BF04-Z2.H, DXX31BF03-Z2.H
AFSB-535XS-B-ACA2500	AFSB-1XS	SLM-535XS-B-ACA2500	SLM-1XS	DFKAFU130-L53, DXK23F274, DXK23F445, DXK23F618, DXK23FM021, DXK23FP031, DXK23FV024, DXK23G274, DXK23G445, DXK23G618, DXK23GM021, DXK23GP031, DXK23GV024, DXK23GX174, DXK23U274, DXK23U445, DXK23U618, DXK23UM021, DXK23UP031, DXK23UV024, DXX21BF04-Z2.H, DXX31BF03-Z2.H
AFSB-550-K-CVIV	AFSB-1, AFSB-1XS	SLM-550-K-CVIV	SLM-1, SLM-1XS	DFKAFU050-L34, DFKECU010-M12, DXK22AUC03, DXK22BUC03, DXK24UJ003, DXK24UP031, DXK42AUC03, DXK42BUC03, DXK72AUC02, DXK72BUC02
AFSB-560-D-AMT	AFSB-1, AFSB-1XS	SLM-560-D-AMT	SLM-1, SLM-1XS	DFKAFU130-L53, DXK23F274, DXK23F445, DXK23F618, DXK23FM021, DXK23FP031, DXK23FV024, DXK23G274, DXK23G445, DXK23G618, DXK23GM021, DXK23GP031, DXK23GV024, DXK23GX174, DXK23U274, DXK23U445, DXK23U618, DXK23UM021, DXK23UP031, DXK23UV024, DXX21BF04-Z2.H, DXX31BF03-Z2.H
AFSB-575XS-IDS-CP	AFSB-1XS	SLM-575XS-IDS-CP	SLM-1XS	DXK212GP031, DXK230GP031
JAI				
AFSB-500XS-D-GB	AFSB-1XS	SLM-500XS-D-GB	SLM-1XS	GO-CV-A1, GO-CV-A1-UV
AFSB-510XS-S-XC56	AFSB-2XS, AFSB-2-2XS, AFSB-2XS90	SLM-510XS-S-XC56	SLM-2XS, SLM-2-2XS, SLM-2XS90	GO-5000C-PGE, GO-5000M-PGE
AFSB-535XS-B-ACA2500	AFSB-1XS	SLM-535XS-B-ACA2500	SLM-1XS	GO-2400-USB, GO-5100-USB
AFSB-550-K-CVIV	SLM-1, SLM-1XS	SLM-550-K-CVIV	SLM-1, SLM-1XS	BM-500GE
AFSB-575XS-IDS-CP	AFSB-1XS	SLM-575XS-IDS-CP	SLM-1XS	BM-500GE

IMPERIAL		METRIC		Fits
Part #	Mounts to	Part #	Mounts to	
Keyence				
AFSB-5	AFSB-1, AFSB-1XS	SLM-5	SLM-1, SLM-1XS	IV-(150/500/2000) Vision, CA-DBW5, LJ-V7300 Series, OP-88344, OP-83346
AFSB-500XS-D-GB	AFSB-1XS	SLM-500XS-D-GB	SLM-1XS	OP-88344, OP-83346
AFSB-501-M-GTR	SLM-1, SLM-1XS	SLM-501-M-GTR	SLM-1, SLM-1XS	SR2000 Series
AFSB-512XS-OM-FQ2-FH	AFSB-1XS	SLM-512XS-OM-FQ2-FH	SLM-1XS	LJ-V7060 Series
AFSB-516-S-INSPECTOR	AFSB-1, AFSB-1XS	SLM-516-S-INSPECTOR	SLM-1, SLM-1XS	SR1000 Series w/ Bracket, IL-2000
AFSB-520XS-C-DMIC	AFSB-1XS	SLM-520XS-C-DMIC	SLM-1XS	CA-HX048-C w/o Bracket, CA-HX048-M w/o Bracket, CA-H048-MX w/ or w/o Bracket, CA-HX500C, CA-HX500M, CA-H500MX
AFSB-521-C-DI	AFSB-1, AFSB-1XS	SLM-521-C-DI	SLM-1, SLM-1XS	LV-S31 w/ Bracket
AFSB-523-C-I2000	AFSB-1, AFSB-1XS	SLM-523-C-I2000	SLM-1, SLM-1XS	CA-200 Series, CA-H200 Series, CA-H500MX Series, CA-H035M Series, CA-H035C Series, CA-035M Series, CA-035C Series
AFSB-530-B-P4	AFSB-1, AFSB-1XS	SLM-530-B-P4	SLM-1, SLM-1XS	IL-2000
AFSB-532-B-IVU	AFSB-1, AFSB-1XS	SLM-532-B-IVU	SLM-1, SLM-1XS	OP-87770
AFSB-535XS-B-ACA2500	AFSB-1XS	SLM-535XS-B-ACA2500	SLM-1XS	LV-S31 w/ Bracket
AFSB-550-K-CVIV	AFSB-1, AFSB-1XS	SLM-550-K-CVIV	SLM-1, SLM-1XS	CA-200 Series, CA-DBW5, CA-H200 series, CA-HX200M, CA-H500C, CA-H500M, CA-HX500C, CA-H500MX, CA-HX500M, CV-035 w/ or w/o Bracket, CA-035C, CA-035M, CA-H035C, CA-H035M, CV-200 w/ or w/o Bracket, CV-H500C, CV-H500M, CV-S035, CV-S200, IV-150, IV-500, IV-2000 IV-H500CA, IV-H2000MA, LJ-V7020/K, LJ-V7060, LJ-V7200, SR-D100, XG-035C, XG-035M, XG-200C, XG-200M, XG-H200M, XG-H500M, Mounting Wall Adapter
AFSB-551XS-K-SR650-750	AFSB-1XS	SLM-551XS-K-SR650-750	SLM-1XS	SR650, SR650HA, SR651, SR750, SR750HA, SR751, SR752, SR1000 series
AFSB-552XS-K-IVG	AFSB-1XS	SLM-552XS-K-IVG	SLM-1XS	CA-HX048-C w/ or w/o Bracket, CA-H048-MX w/ or w/o Bracket, CA-HX048-M w/ or w/o Bracket, IV-HG series, IV-G series, IV2-G
AFSB-560-D-AMT	AFSB-1, AFSB-1XS	SLM-560-D-AMT	SLM-1, SLM-1XS	LV-S31 w/ Bracket
AFSB-561-D-MATRIX	AFSB-1, AFSB-1XS	SLM-561-D-MATRIX	SLM-1, SLM-1XS	CA-H500MX Series
AFSB-575XS-IDS-CP	AFSB-1XS	SLM-575XS-IDS-CP	SLM-1XS	CA-H2100C, CA-H2100M, XG-H2100M, XG-HL08M
AFSB-580-B-VS	AFSB-1, AFSB-1XS	SLM-580-B-VS	SLM-1, SLM-1XS	CA-DXR5, LJ-V7060 Series, OP-88345
AFSB-585-BVS-E	AFSB-1, AFSB-1XS	SLM-585-BVS-E	SLM-1, SLM-1XS	SR610, SR700, SR700HA, SR710,
AFSB-591-M-QX-HAWK	AFSB-1, AFSB-1XS	SLM-591-M-QX-HAWK	SLM-1, SLM-1XS	LR-W500C, LR-ZB250CP, LR-ZH500 Series
AFSB-5XS	AFSB-2XS, AFSB-2-2XS, AFSB-2XS90	SLM-5XS	SLM-2XS, SLM-2-2XS, SLM-2XS90	XG-HL08M
AFSB-630XS-30	AFSB-1XS	SLM-630XS-30	SLM-1XS	Sensor Mount 30MM
AFSB-650-HPD100-150	AFSB-1, AFSB-1XS	SLM-650-HPD100-150	SLM-1, SLM-1XS	CA-DRW10X
AFSB-651-K	AFSB-1, AFSB-1XS	AFSB-651-K	SLM-1, SLM-1XS	DRM20X, DRR10F
AFSB-661-AI-RL	AFSB-1, AFSB-1XS	SLM-661-AI-RL	SLM-1, SLM-1XS	CA-DRW5X, LK-G400, LK-G402, LK-G405, LK-G407
AFSB-7	AFSB-2, AFSB-290, AFSB-2-2XS	SLM-7	SLM-2, SLM-290, SLM-2-2XS	Barrel Type Sensor 30MM
AFSB-7XS	AFSB-2XS, AFSB-2-2XS, AFSB-2XS90	SLM-7XS	SLM-2XS, SLM-2-2XS, SLM-2XS90	Barrel Type Sensor 12MM
AFSB-8	AFSB-2, AFSB-290, AFSB-2-2XS	SLM-8	SLM-2, SLM-290, SLM-2-2XS	Barrel Type Sensor 18MM
AFSB-8XS	AFSB-2XS, AFSB-2-2XS, AFSB-2XS90	SLM-8XS	SLM-2XS, SLM-2-2XS, SLM-2XS90	Barrel Type Sensor 8MM
AFSB-9	AFSB-1	SLM-9	SLM-1	CA-DBW12W
AFSB-SB-8	AFSB-SBH, AFSB-SBH-XS	SLM-SB-8	SLM-SBH, SLM-SBH-XS	Sensor Mount 8MM
AFSB-SB-12	AFSB-SBH, AFSB-SBH-XS	SLM-SB-12	SLM-SBH, SLM-SBH-XS	Sensor Mount 12MM
AFSB-SB-18	AFSB-SBH, AFSB-SBH-XS	SLM-SB-18	SLM-SBH, SLM-SBH-XS	Sensor Mount 18MM
AFSB-SB-30	AFSB-SBH, AFSB-SBH-XS	SLM-SB-30	SLM-SBH, SLM-SBH-XS	Sensor Mount 30MM

MOUNTING PLATE BY BRAND

IMPERIAL		METRIC		Fits
Part #	Mounts to	Part #	Mounts to	
Leuze				
AFSB-630XS-30	AFSB-1XS	SLM-630XS-30	SLM-1XS	Sensor Mount 30MM
AFSB-7	AFSB-2, AFSB-290, AFSB-2-2XS	SLM-7	SLM-2, SLM-290, SLM-2-2XS	Barrel Type Sensor 30MM
AFSB-7XS	AFSB-2XS, AFSB-2-2XS, AFSB-2XS90	SLM-7XS	SLM-2XS, SLM-2-2XS, SLM-2XS90	Barrel Type Sensor 12MM
AFSB-8	AFSB-2, AFSB-290, AFSB-2-2XS	SLM-8	SLM-2, SLM-290, SLM-2-2XS	Barrel Type Sensor 18MM
AFSB-8XS	AFSB-2XS, AFSB-2-2XS, AFSB-2XS90	SLM-8XS	SLM-2XS, SLM-2-2XS, SLM-2XS90	Barrel Type Sensor 8MM
AFSB-SB-8	AFSB-SBH, AFSB-SBH-XS	SLM-SB-8	SLM-SBH, SLM-SBH-XS	Sensor Mount 8MM
AFSB-SB-12	AFSB-SBH, AFSB-SBH-XS	SLM-SB-12	SLM-SBH, SLM-SBH-XS	Sensor Mount 12MM
AFSB-SB-18	AFSB-SBH, AFSB-SBH-XS	SLM-SB-18	SLM-SBH, SLM-SBH-XS	Sensor Mount 18MM
AFSB-SB-30	AFSB-SBH, AFSB-SBH-XS	SLM-SB-30	SLM-SBH, SLM-SBH-XS	Sensor Mount 30MM
LMI				
AFSB-550-K-CVIV	AFSB-1, AFSB-1XS	SLM-550-K-CVIV	SLM-1, SLM-1XS	Gocator 2500
AFSB-571-G-2320	AFSB-1, AFSB-1XS	SLM-571-G-2320	SLM-1, SLM-1XS	Gocator 1320, 2320, & 2330
AFSB-572-G-2340	AFSB-1, AFSB-1XS	SLM-572-G-2340	SLM-1, SLM-1XS	Gocator 2330, 2340, 2350, 2370, & 2380
Matrox				
AFSB-501-M-GTR	AFSB-1, AFSB-1XS	SLM-501-M-GTR	SLM-1, SLM-1XS	GT & GTR Cameras
Metaphase				
AFSB-640-M	AFSB-1	SLM-640-M	SLM-1	ISO-19 and ISO-23
AFSB-641-M	AFSB-1	SLM-641-M	SLM-1	ISO-14
AFSB-642-M	AFSB-1	SLM-642-M	SLM-1	ISO-8
AFSB-643-M-DL	AFSB-1, AFSB-1XS	SLM-643-M-DL	SLM-1, SLM-1XS	MB-DL101, MB-DL206, MB-DL306, MB-DL406, MB-DL606, MB-DL706, MB-DL906
AFSB-644-M-RL	AFSB-1, AFSB-1XS	SLM-644-M-RL	SLM-1, SLM-1XS	MB-RL101, MB-RL 205, MB-RL301, MB-BL410
AFSB-646-M-RL050	AFSB-1, AFSB-1XS	SLM-646-M-RL050	SLM-1, SLM-1XS	RAL-050
AFSB-648-M-FLD	AFSB-1	SLM-648-M-FLD	SLM-1	FLD806
Microscan				
AFSB-500XS-D-GB	AFSB-1XS	SLM-500XS-D-GB	SLM-1XS	CCD, CMOS
AFSB-501-M-GTR	AFSB-1, AFSB-1XS	SLM-501-M-GTR	SLM-1, SLM-1XS	MV-4000
AFSB-560-D-AMT	AFSB-1, AFSB-1XS	SLM-560-D-AMT	SLM-1, SLM-1XS	CCD, CMOS
AFSB-590XS-M-MINI-HAWK	AFSB-1XS	SLM-590XS-M-MINI-HAWK	SLM-1XS	MS-3, MS-4X, Mini XI, Minihawk, FIS-3600-3001G, Qaudris Mini
AFSB-591-M-QX-HAWK	AFSB-1, AFSB-1XS	SLM-591-M-QX-HAWK	SLM-1, SLM-1XS	QX Hawk
AFSB-592-M-QX-830-870	AFSB-1, AFSB-1XS	SLM-592-M-QX-830-870	SLM-1, SLM-1XS	QX830, QX870
AFSB-593XS-M-MICRO-HAWK	AFSB-1XS	SLM-593XS-M-MICRO-HAWK	SLM-1XS	ID-20, ID-30, ID-40, MV-40
Non-Brand Specific				
AFSB-5XS	AFSB-2XS, AFSB-2-2XS, AFSB-2XS90	SLM-5XS	SLM-2XS, SLM-2XS90, SLM-2-2XS	1/4-20 Tripod
AFSB-6	AFSB-1	SLM-6	SLM-1	This blank plate is for end user custom mounting, 4.31"x2.5"x.38"
AFSB-6XS	AFSB-1XS	SLM-6XS	SLM-1XS	This blank plate is for end user custom mounting, 2.75"x1.75"x.38"
AFSB-630XS-30	AFSB-1XS	SLM-630XS-30	SLM-1XS	30mm thread

IMPERIAL		METRIC		Fits
Part #	Mounts to	Part #	Mounts to	
National Instruments				
AFSB-501-M-GTR	AFSB-1XS	SLM-501-M-GTR	SLM-1XS	ISC-1781
Omron				
AFSB-5	AFSB-1, AFSB-1XS	SLM-5	SLM-1, SLM-1XS	FH-SMX05
AFSB-5XS	AFSB-2XS, AFSB-2-2XS, AFSB-2XS90	SLM-5XS	SLM-2XS, SLM-2-2XS, SLM-2XS90	FH w/Mounting Base
AFSB-500XS-D-GB	AFSB-1XS	SLM-500XS-D-GB	SLM-1XS	FH-SMX05
AFSB-510XS-S-XC56	AFSB-2XS, AFSB-2-2XS, AFSB-2XS90	SLM-510XS-S-XC56	SLM-2XS, SLM-2-2XS, SLM-2XS90	FZ-S, FZ-SC, FZ-S2M, FZ-SC2M, FH-SM05R, FH-SC05R
AFSB-512XS-OM-FQ2-FH	AFSB-1XS	SLM-512XS-OM-FQ2-FH	SLM-1XS	FH-SC, FH-SC02, FH-SC04, FH-SC05R, FH-SM, FH-SM02, FH-SM04, FH-SM05R, FQ2, FZ-S, FZ-S2M, FZ-S5M2, FZ-SC, FZ-SC2M, FZ-SC5M2, FZ-SH, FZ-SHC
AFSB-516-S-INSPECTOR	AFSB-1, AFSB-1XS	SLM-516-S-INSPECTOR	SLM-1, SLM-1XS	FHV7H-00000-C, FHV7H00000-H00-00, FHV7H-00000H06, FHV7H-00000-H19, FHV7H-00000-S00, FHV7H-00000-S00-00
AFSB-630XS-30	AFSB-1XS	SLM-630XS-30	SLM-1XS	Sensor Mount 30MM
AFSB-7	AFSB-2, AFSB-290, AFSB-2-2XS	SLM-7	SLM-2, SLM-290, SLM-2-2XS	Barrel Type Sensor 30MM
AFSB-7XS	AFSB-2XS, AFSB-2-2XS, AFSB-2XS90	SLM-7XS	SLM-2XS, SLM-2-2XS, SLM-2XS90	Barrel Type Sensor 12MM
AFSB-8	AFSB-2, AFSB-290, AFSB-2-2XS	SLM-8	SLM-2, SLM-290, SLM-2-2XS	Barrel Type Sensor 18MM
AFSB-8XS	AFSB-2XS, AFSB-2-2XS, AFSB-2XS90	SLM-8XS	SLM-2XS, SLM-2-2XS, SLM-2XS90	Barrel Type Sensor 8MM
AFSB-SB-8	AFSB-SBH, AFSB-SBH-XS	SLM-SB-8	SLM-SBH, SLM-SBH-XS	Sensor Mount 8MM
AFSB-SB-12	AFSB-SBH, AFSB-SBH-XS	SLM-SB-12	SLM-SBH, SLM-SBH-XS	Sensor Mount 12MM
AFSB-SB-18	AFSB-SBH, AFSB-SBH-XS	SLM-SB-18	SLM-SBH, SLM-SBH-XS	Sensor Mount 18MM
AFSB-SB-30	AFSB-SBH, AFSB-SBH-XS	SLM-SB-30	SLM-SBH, SLM-SBH-XS	Sensor Mount 30MM
Panasonic				
AFSB-550-K-CVIV	AFSB-1, AFSB-1XS	SLM-550-K-CVIV	SLM-1, SLM-1XS	EX-L221-P-J
Pepperl + Fuchs				
AFSB-561-D-MATRIX	AFSB-1, AFSB-1XS	SLM-561-D-MATRIX	SLM-1, SLM-1XS	CBN15-F64-A2-V31
AFSB-630XS-30	AFSB-1XS	SLM-630XS-30	SLM-1XS	Sensor Mount 30MM
AFSB-7	AFSB-2, AFSB-290, AFSB-2-2XS	SLM-7	SLM-2, SLM-290, SLM-2-2XS	Barrel Type Sensor 30MM
AFSB-7XS	AFSB-2XS, AFSB-2-2XS, AFSB-2XS90	SLM-7XS	SLM-2XS, SLM-2-2XS, SLM-2XS90	Barrel Type Sensor 12MM
AFSB-8	AFSB-2, AFSB-290, AFSB-2-2XS	SLM-8	SLM-2, SLM-290, SLM-2-2XS	Barrel Type Sensor 18MM
AFSB-8XS	AFSB-2XS, AFSB-2-2XS, AFSB-2XS90	SLM-8XS	SLM-2XS, SLM-2-2XS, SLM-2XS90	Barrel Type Sensor 8MM
AFSB-SB-8	AFSB-SBH, AFSB-SBH-XS	SLM-SB-8	SLM-SBH, SLM-SBH-XS	Sensor Mount 8MM
AFSB-SB-12	AFSB-SBH, AFSB-SBH-XS	SLM-SB-12	SLM-SBH, SLM-SBH-XS	Sensor Mount 12MM
AFSB-SB-18	AFSB-SBH, AFSB-SBH-XS	SLM-SB-18	SLM-SBH, SLM-SBH-XS	Sensor Mount 18MM
AFSB-SB-30	AFSB-SBH, AFSB-SBH-XS	SLM-SB-30	SLM-SBH, SLM-SBH-XS	Sensor Mount 30MM
Piab				
AFSB-10-V	--	SLM-10-V	--	8MM to G1/2

MOUNTING PLATE BY BRAND

IMPERIAL		METRIC		Fits
Part #	Mounts to	Part #	Mounts to	
Red Lion				
AFSB-630XS-30	AFSB-1XS	SLM-630XS-30	SLM-1XS	Sensor Mount 30MM
AFSB-7	AFSB-2, AFSB-290, AFSB-2-2XS	SLM-7	SLM-2, SLM-290, SLM-2-2XS	Barrel Type Sensor 30MM
AFSB-7XS	AFSB-2XS, AFSB-2-2XS, AFSB-2XS90	SLM-7XS	SLM-2XS, SLM-2-2XS, SLM-2XS90	Barrel Type Sensor 12MM
AFSB-8	AFSB-2, AFSB-290, AFSB-2-2XS	SLM-8	SLM-2, SLM-290, SLM-2-2XS	Barrel Type Sensor 18MM
AFSB-8XS	AFSB-2XS, AFSB-2-2XS, AFSB-2XS90	SLM-8XS	SLM-2XS, SLM-2-2XS, SLM-2XS90	Barrel Type Sensor 8MM
AFSB-SB-8	AFSB-SBH, AFSB-SBH-XS	SLM-SB-8	SLM-SBH, SLM-SBH-XS	Sensor Mount 8MM
AFSB-SB-12	AFSB-SBH, AFSB-SBH-XS	SLM-SB-12	SLM-SBH, SLM-SBH-XS	Sensor Mount 12MM
AFSB-SB-18	AFSB-SBH, AFSB-SBH-XS	SLM-SB-18	SLM-SBH, SLM-SBH-XS	Sensor Mount 18MM
AFSB-SB-30	AFSB-SBH, AFSB-SBH-XS	SLM-SB-30	SLM-SBH, SLM-SBH-XS	Sensor Mount 30MM
Sensopart				
AFSB-515XS-S-ICR620	AFSB-1XS	SLM-515XS-S-ICR620	SLM-1XS	Visor Mounting Block
AFSB-516-S-INSPECTOR	AFSB-1, AFSB-1XS	SLM-516-S-INSPECTOR	SLM-1, SLM-1XS	Visor Mounting Block
AFSB-630XS-30	AFSB-1XS	SLM-630XS-30	SLM-1XS	Sensor Mount 30MM
AFSB-7	AFSB-2, AFSB-290, AFSB-2-2XS	SLM-7	SLM-2, SLM-290, SLM-2-2XS	Barrel Type Sensor 30MM
AFSB-7XS	AFSB-2XS, AFSB-2-2XS, AFSB-2XS90	SLM-7XS	SLM-2XS, SLM-2-2XS, SLM-2XS90	Barrel Type Sensor 12MM
AFSB-8	AFSB-2, AFSB-290, AFSB-2-2XS	SLM-8	SLM-2, SLM-290, SLM-2-2XS	Barrel Type Sensor 18MM
AFSB-8XS	AFSB-2XS, AFSB-2-2XS, AFSB-2XS90	SLM-8XS	SLM-2XS, SLM-2-2XS, SLM-2XS90	Barrel Type Sensor 8MM
AFSB-SB-8	AFSB-SBH, AFSB-SBH-XS	SLM-SB-8	SLM-SBH, SLM-SBH-XS	Sensor Mount 8MM
AFSB-SB-12	AFSB-SBH, AFSB-SBH-XS	SLM-SB-12	SLM-SBH, SLM-SBH-XS	Sensor Mount 12MM
AFSB-SB-18	AFSB-SBH, AFSB-SBH-XS	SLM-SB-18	SLM-SBH, SLM-SBH-XS	Sensor Mount 18MM
AFSB-SB-30	AFSB-SBH, AFSB-SBH-XS	SLM-SB-30	SLM-SBH, SLM-SBH-XS	Sensor Mount 30MM
Sentech				
AFSB-510XS-S-XC56	AFSB-2XS, AFSB-2-2XS, AFSB-2XS90	SLM-510XS-S-XC56	SLM-2XS, SLM-2-2XS, SLM-2XS90	STC-MCA5MUSB3
AFSB-512XS-OM-FQ2-FH	AFSB-1XS	SLM-512XS-OM-FQ2-FH	SLM-1XS	STC-MBCM200U3V, STC-MBCM401U3V, STC-MBE132U3V, STC-MBS231U3V, STC-MBS241U3V, STC-MBS312U3V, STC-MBS322U3V, STC-MBS500U3V, STC-MBS510U3V, STC-MCA5MUSB3, STC-MCCM200U3V, STC-MCCM401U3V, STC-MCE132U3V, STC-MCS231U3V, STC-MCS241U3V, STC-MCS312U3V, STC-MCS322U3V, STC-MCS500U3V, STC-MCS510U3V
AFSB-575XS-IDS-CP	AFSB-1XS	SLM-575XS-IDS-CP	SLM-1XS	HD (cased)
AFSB-580-B-VS	AFSB-1, AFSB-1XS	SLM-580-B-VS	SLM-1, SLM-1XS	STC-MBCM200U3V, STC-MBCM401U3V, STC-MBE132U3V, STC-MBS231U3V, STC-MBS241U3V, STC-MBS312U3V, STC-MBS322U3V, STC-MBS500U3V, STC-MBS510U3V, STC-MCCM200U3V, STC-MCCM401U3V, STC-MCE132U3V, STC-MCS231U3V, STC-MCS241U3V, STC-MCS312U3V, STC-MCS322U3V, STC-MCS500U3V, STC-MCS510U3V

MOUNTING PLATE BY BRAND

IMPERIAL		METRIC		Fits
Part #	Mounts to	Part #	Mounts to	
SICK				
AFSB-515XS-S-ICR620	AFSB-1XS	SLM-515XS-S-ICR620	SLM-1XS	CLV-63X series, CLV-64X series, CLV-65X series, JEF3XX series, JEF5XX series, Lector 62X series
AFSB-516-S-INSPECTOR	AFSB-1, AFSB-1XS	SLM-516-S-INSPECTOR	SLM-1, SLM-1XS	CLV-61X series, CLV-63X series, CLV-64X series, CLV-65X series, INSPECTOR I series, IVC 2D, JEF3XX series, JEF5XX series, LMS-100-1000, LUT3, LUT9, Lector 63X series, TIM310, VSPM-6F2113
AFSB-517S-LECTOR64X65X	AFSB-1, AFSB-1XS	SLM-517S-LECTOR64X65X	SLM-1, SLM-1XS	Lector 64X series, Lector 65X series
AFSB-550-K-CVIV	AFSB-1, AFSB-1XS	SLM-550-K-CVIV	SLM-1, SLM-1XS	HL18T-P4A3BB, WL160-P440
AFSB-552XS-K-IVG	AFSB-1XS	SLM-552XS-K-IVG	SLM-1XS	OD Mini series
AFSB-630XS-30	AFSB-1XS	SLM-630XS-30	SLM-1XS	Sensor Mount 30MM
AFSB-8	AFSB-2, AFSB-290, AFSB-2-2XS	SLM-8	SLM-2, SLM-290, SLM-2-2XS	Barrel Type Sensor 18MM
AFSB-SB-18	AFSB-SBH, AFSB-SBH-XS	SLM-SB-18	SLM-SBH, SLM-SBH-XS	Sensor Mount 18MM
Siemens				
AFSB-5	AFSB-1, AFSB-1XS	SLM-5	SLM-1, SLM-1XS	MV 440
AFSB-501-M-GTR	AFSB-1, AFSB-1XS	SLM-501-M-GTR	SLM-1, SLM-1XS	MV 440
AFSB-561-D-MATRIX	AFSB-1, AFSB-1XS	SLM-561-D-MATRIX	SLM-1, SLM-1XS	MV 440
Smart Vision				
AFSB-5	AFSB-1, AFSB-1XS	SLM-5	SLM-1, SLM-1XS	LM45, LM75
AFSB-516-S-INSPECTOR	AFSB-1, AFSB-1XS	SLM-516-S-INSPECTOR	SLM-1, SLM-1XS	LM45, LM75
AFSB-520XS-C-DMIC	AFSB-1XS	SLM-520XS-C-DMIC	SLM-1XS	LM45
AFSB-540-IFM	AFSB-1, AFSB-1XS	SLM-540-IFM	SLM-1, SLM-1XS	LM45, LM75
AFSB-550-K-CVIV	AFSB-1, AFSB-1XS	SLM-550-K-CVIV	SLM-1, SLM-1XS	LM45, LM75
AFSB-551XS-K-SR650-750	AFSB-1XS	SLM-551XS-K-SR650-750	SLM-1XS	LM45
AFSB-552XS-K-IVG	AFSB-1XS	SLM-552XS-K-IVG	SLM-1XS	LM45
AFSB-575XS-IDS-CP	AFSB-1XS	SLM-575XS-IDS-CP	SLM-1XS	LM45
AFSB-580-B-VS	AFSB-1, AFSB-1XS	SLM-580-B-VS	SLM-1, SLM-1XS	LM45, LM75
AFSB-585-BVS-E	AFSB-1, AFSB-1XS	SLM-585-BVS-E	SLM-1, SLM-1XS	LM45, LM75
AFSB-591-M-QX-HAWK	AFSB-1, AFSB-1XS	SLM-591-M-QX-HAWK	SLM-1, SLM-1XS	LM45, LM75
AFSB-592-M-QX-830-870	AFSB-1, AFSB-1XS	SLM-592-M-QX-830-870	SLM-1, SLM-1XS	LM45, LM75
AFSB-620-S75	AFSB-1, AFSB-1XS	SLM-620-S75	SLM-1, SLM-1XS	S75, SB75, SC75, SW75, ODS75, ODSB75, ODSW75
AFSB-621-L300	AFSB-1, AFSB-1XS	SLM-621-L300	SLM-1, SLM-1XS	L300, LB300
AFSB-622-SV-EZRL	AFSB-1, AFSB-1XS	SLM-622-SV-EZRL	SLM-1, SLM-1XS	EZ, R80, R130
AFSB-623-HPIA	AFSB-1, AFSB-1XS	SLM-623-HPIA	SLM-1, SLM-1XS	HPIA Lights
AFSB-630XS-30	AFSB-1XS	SLM-630XS-30	SLM-1XS	ODSX30, ODSX30, ODSX30 N4, ODSXA30, ODSXP30, ODSXW30, SX30, SX30 N4, SXA30, SXF30, SXP30, SXW30
AFSB-660-AI	AFSB-1, AFSB-1XS	SLM-660-AI	SLM-1, SLM-1XS	LM45, LM75
AFSB-661-AI-RL	AFSB-1, AFSB-1XS	SLM-661-AI-RL	SLM-1, SLM-1XS	LM75
AFSB-663XS-AI	AFSB-1XS	SLM-663XS-AI	SLM-1XS	LM45
AFSB-7	AFSB-2, AFSB-290, AFSB-2-2XS	SLM-7	SLM-2, SLM-290, SLM-2-2XS	ODSX30 N4 Sensor Barrel 30MM, ODSX30 Sensor Barrel 30MM, ODSXA30 Sensor Barrel 30MM, ODSXP30 Sensor Barrel 30MM, ODSXW30 Sensor Barrel 30MM, SX30 N4 Sensor Barrel 30MM, SX30 Sensor Barrel 30MM, SXA30 Sensor Barrel 30MM, SXF30 Sensor Barrel 30MM, SXP30 Sensor Barrel 30MM, SXW30 Sensor Barrel 30MM
AFSB-SB-30	AFSB-SBH, AFSB-SBH-XS	SLM-SB-30	SLM-SBH, SLM-SBH-XS	ODSX30 N4 Sensor Mount 30MM, ODSX30 Sensor Mount 30MM, ODSXA30 Sensor Mount 30MM, ODSXS30 N4 Sensor Mount 30MM, ODSXS30 Sensor Mount 30MM, ODSXSA30 Sensor Mount 30MM, ODSXSP30 Sensor Mount 30MM, ODSXW30 Sensor Mount 30MM, SX30 N4 Sensor Mount 30MM, SX30 Sensor Mount 30MM, SXA30 Sensor Mount 30MM, SXF30 Sensor Mount 30MM, SXP30 Sensor Mount 30MM, SXW30 Sensor Mount 30MM

MOUNTING PLATE BY BRAND

IMPERIAL		METRIC		Fits
Part #	Mounts to	Part #	Mounts to	
Sony				
AFSB-5XS	AFSB-2XS, AFSB-2-2XS, AFSB-2XS90	SLM-5XS	SLM-2XS, SLM-2-2XS, SLM-2XS90	DFK23UX249 Tri-Pod
AFSB-500XS-D-GB	AFSB-1XS	SLM-500XS-D-GB	SLM-1XS	XC-ST50
AFSB-510XS-S-XC56	AFSB-2XS, AFSB-2-2XS, AFSB-2XS90	SLM-510XS-S-XC56	SLM-2XS, SLM-2-2XS, SLM-2XS90	XC56 Tri-Pod
AFSB-535XS-B-ACA2500	AFSB-1XS	SLM-535XS-B-ACA2500	SLM-1XS	Bobcat B1310
Spectrum Illumination				
AFSB-592-M-QX-830-870	AFSB-1, AFSB-1XS	SLM-592-M-QX-830-870	SLM-1, SLM-1XS	BL22, BL34, BL312
AFSB-610-S	AFSB-1, AFSB-1-15	SLM-610-S	SLM-1, SLM-1-40	BL48, MBL48
AFSB-611-S	AFSB-1, AFSB-1-15	SLM-611-S	SLM-1, SLM-1-40	BL18, LA18
AFSB-612-S	AFSB-1, AFSB-1-15	SLM-612-S	SLM-1, SLM-1-40	BL46, BL56, MBL46
AFSB-613-S	AFSB-1, AFSB-1-15	SLM-613-S	SLM-1, SLM-1-40	BL26, LL16, LL26, MBLL16, MBLL26, MLL16, MLL26
AFSB-614-S	AFSB-1, AFSB-1-15	SLM-614-S	SLM-1, SLM-1-40	BL14, BL24, LA14, LA24
AFSB-615-S	AFSB-1, AFSB-1-15	SLM-615-S	SLM-1, SLM-1-40	BL34, BL44, MBL44
AFSB-660-AI	AFSB-1, AFSB-1XS	SLM-660-AI	SLM-1, SLM-1XS	LL14, MBLL14, MLL14
SVS-Vistek				
AFSB-500XS-D-GB	AFSB-1XS	SLM-500XS-D-GB	SLM-1XS	ECO Series
AFSB-523-C-I2000	AFSB-1, AFSB-1XS	SLM-523-C-I2000	SLM-1, SLM-1XS	ECO Series
AFSB-520XS-C-DMIC	AFSB-1XS	SLM-520XS-C-DMIC	SLM-1XS	EVO series
AFSB-560-D-AMT	AFSB-1, AFSB-1XS	SLM-560-D-AMT	SLM-1, SLM-1XS	ECO Series
TPL Vision				
AFSB-550-K-CVIV	AFSB-1, AFSB-1XS	SLM-550-K-CVIV	SLM-1, SLM-1XS	EBAR+ 125, EBAR+ 250
Tri-Tronics				
AFSB-630XS-30	AFSB-1XS	SLM-630XS-30	SLM-1XS	Mount 30MM
AFSB-8	AFSB-2, AFSB-290, AFSB-2-2XS	SLM-8	SLM-2, SLM-290, SLM-2-2XS	Barrel Type Sensor 18MM
AFSB-SB-18	AFSB-SBH, AFSB-SBH-XS	SLM-SB-18	SLM-SBH, SLM-SBH-XS	Sensor Mount 18MM
AFSB-SB-30	AFSB-SBH, AFSB-SBH-XS	SLM-SB-30	SLM-SBH, SLM-SBH-XS	Sensor Mount 30MM
Turck				
AFSB-630XS-30	AFSB-1XS	SLM-630XS-30	SLM-1XS	Mount 30MM
AFSB-7	AFSB-2, AFSB-290, AFSB-2-2XS	SLM-7	SLM-2, SLM-290, SLM-2-2XS	Barrel Type Sensor 30MM
AFSB-7XS	AFSB-2XS, AFSB-2-2XS, AFSB-2XS90	SLM-7XS	SLM-2XS, SLM-2-2XS, SLM-2XS90	Barrel Type Sensor 12MM
AFSB-8	AFSB-2, AFSB-290, AFSB-2-2XS	SLM-8	SLM-2, SLM-290, SLM-2-2XS	Barrel Type Sensor 18MM
AFSB-8XS	AFSB-2XS, AFSB-2-2XS, AFSB-2XS90	SLM-8XS	SLM-2XS, SLM-2-2XS, SLM-2XS90	Barrel Type Sensor 8MM
AFSB-SB-8	AFSB-SBH, AFSB-SBH-XS	SLM-SB-8	SLM-SBH, SLM-SBH-XS	Sensor Mount 8MM
AFSB-SB-12	AFSB-SBH, AFSB-SBH-XS	SLM-SB-12	SLM-SBH, SLM-SBH-XS	Sensor Mount 12MM
AFSB-SB-18	AFSB-SBH, AFSB-SBH-XS	SLM-SB-18	SLM-SBH, SLM-SBH-XS	Sensor Mount 18MM
AFSB-SB-30	AFSB-SBH, AFSB-SBH-XS	SLM-SB-30	SLM-SBH, SLM-SBH-XS	Sensor Mount 30MM
VESA				
AFSB-9	AFSB-1	SLM-9	SLM-1	75-100MM Monitor Mounting Plate
AFSB-9-MOD-HD	AFSB-1HD	---	---	75-100MM Heavy Duty Monitor Mounting Plate
Wenglor				
AFSB-516-S-INSPECTOR	AFSB-1, AFSB-1XS	SLM-516-S-INSPECTOR	SLM-1, SLM-1XS	P1XF001, Weqube
AFSB-540-IFM	AFSB-1, AFSB-1XS	SLM-540-IFM	SLM-1, SLM-1XS	P1XF001 Weqube

SENSOR MOUNTS & KITS

IMPERIAL		METRIC		Description/Fits
Part #	Mounts to	Part #	Mounts to	
Sensor Mounts				
AFSB-7	AFSB-2, AFSB-290, AFSB-2-2XS	SLM-7	SLM-2, SLM-290, SLM-2-2XS	Fits: Allen Bradley, Balluff, Banner, Baumer, Carlo Gavazzi, Contrinex, Datalogic, Di-Soric, HTM, IFM, Keyence, Leuze, Omron, Pepperl Fuchs, Red Lion, Sensopart, and Turck 30MM threaded barrel-type sensors.
AFSB-7XS	AFSB-2XS, AFSB-2XS90, AFSB-2-2XS	SLM-7XS	SLM-2XS, SLM-2XS90, SLM-2-2XS	Fits: Allen Bradley, Balluff, Banner, Baumer, Carlo Gavazzi, Contrinex, Datalogic, Di-Soric, HTM, IFM, Keyence, Leuze, Omron, Pepperl Fuchs, Sensopart, and Turck 12MM threaded barrel-type sensors.
AFSB-8	AFSB-2, AFSB-290, AFSB-2-2XS	SLM-8	SLM-2, SLM-290, SLM-2-2XS	Fits: Allen Bradley, Balluff, Banner, Baumer, Carlo Gavazzi, Contrinex, Datalogic, Di-Soric, HTM, IFM, Keyence, Leuze, Omron, Pepperl Fuchs, Red Lion, Sensopart, Sick, Tri-Tronics, and Turck 18MM threaded barrel-type sensors.
AFSB-8XS	AFSB-2XS, AFSB-2XS90, AFSB-2-2XS	SLM-8XS	SLM-2XS, SLM-2XS90, SLM-2-2XS	Fits: Allen Bradley, Balluff, Banner, Baumer, Contrinex, Datalogic, Di-Soric, HTM, IFM, Keyence, Leuze, Omron, Pepperl Fuchs, Red Lion, Sensopart, and Turck 8MM threaded barrel-type sensors.
AFSB-8-22	AFSB-2, AFSB-290, AFSB-2-2XS	SLM-8-22	SLM-2, SLM-290, SLM-2-2XS	22MM Sensor Mount
AFSB-SB-8	AFSB-SBH, AFSB-SBH-XS	SLM-SB-8	SLM-SBH, SLM-SBH-XS	Fits: Allen Bradley, Balluff, Banner, Baumer, Carlo Gavazzi, Contrinex, Datalogic, Di-Soric, HTM, IFM, Keyence, Leuze, Omron, Pepperl Fuchs, Red Lion, Sensopart, and Truck 8MM threaded barrel-type sensors.
AFSB-SB-12	AFSB-SBH, AFSB-SBH-XS	SLM-SB-12	SLM-SBH, SLM-SBH-XS	Fits: Allen Bradley, Balluff, Banner, Baumer, Carlo Gavazzi, Contrinex, Datalogic, Di-Soric, HTM, IFM, Keyence, Leuze, Omron, Pepperl Fuchs, Red Lion, Sensopart, and Truck 12MM threaded barrel-type sensors.
AFSB-SB-18	AFSB-SBH, AFSB-SBH-XS	SLM-SB-18	SLM-SBH, SLM-SBH-XS	Fits: Allen Bradley, Balluff, Banner, Baumer, Carlo Gavazzi, Contrinex, Datalogic, Di-Soric, HTM, IFM, Keyence, Leuze, Omron, Pepperl Fuchs, Red Lion, Sensopart, and Truck 18MM threaded barrel-type sensors.
AFSB-SB-30	AFSB-SBH, AFSB-SBH-XS	SLM-SB-30	SLM-SBH, SLM-SBH-XS	Fits: Allen Bradley, Balluff, Banner, Baumer, Carlo Gavazzi, Contrinex, Datalogic, Di-Soric, HTM, IFM, Keyence, Leuze, Omron, Pepperl Fuchs, Red Lion, Sensopart, and Truck 30MM threaded barrel-type sensors.
AFSB-SBH	AFSB-SB-30, AFSB-SB-18, AFSB-SB-12, AFSB-SB-8, AFSB-2, AFSB-290, AFSB-2-2XS	SLM-SBH	SLM-SB-30, SLM-SB-18, SLM-SB-12, SLM-SB-8, SLM-2, SLM-290, SLM-2-2XS	Standard Sensor Bracket Holder
AFSB-SBH-XS	AFSB-SB-30, AFSB-SB-18, AFSB-SB-12, AFSB-SB-8, AFSB-2XS, AFSB-2XS90, AFSB-2-2XS	SLM-SBH-XS	SLM-SB-30, SLM-SB-18, SLM-SB-12, SLM-SB-8, SLM-2XS, SLM-2XS90, SLM-2-2XS	XS Sensor Bracket Holder

IMPERIAL		METRIC	
Part #	Includes	Part #	Includes
Sensor Mounting Kits			
AFSB-1000-7	(1) AFSB-1 Ball Base, (1) AFSB-2 Knuckle, (1) AFSB-7 Sensor	SLM-1000-7	(1) SLM-1 Ball Base, (1) SLM-2 Knuckle, (1) SLM-7 Sensor
AFSB-1000-7XS	(1) AFSB-1XS Ball Base, (1) AFSB-2XS Knuckle, (1) AFSB-7XS Sensor	SLM-1000-7XS	(1) SLM-1XS Ball Base, (1) SLM-2XS Knuckle, (1) SLM-7XS Sensor
AFSB-1000-8	(1) AFSB-1 Ball Base, (1) AFSB-2 Knuckle, (1) AFSB-8 Sensor	SLM-1000-8	(1) SLM-1 Ball Base, (1) SLM-2 Knuckle, (1) SLM-8 Sensor
AFSB-1000-8XS	(1) AFSB-1XS Ball Base, (1) AFSB-2XS Knuckle, (1) AFSB-8XS Sensor	SLM-1000-8XS	(1) SLM-1XS Ball Base, (1) SLM-2XS Knuckle, (1) SLM-8XS Sensor
AFSB-1000-822	(1) AFSB-1 Ball Base, (1) AFSB-2 Knuckle, (1) AFSB-8-22 Sensor	SLM-1000-822	(1) SLM-1 Ball Base, (1) SLM-2 Knuckle, (1) SLM-8-22 Sensor
Sensor Bracket Kits			
AFSB-1000-SBKIT-8	(1) AFSB-1XS Base, (1) AFSB-2XS Knuckle, (1) AFSB-SBH-XS Sensor Holder, (1) AFSB-SB-8 Sensor Bracket	SLM-1000-SBKIT-8	(1) SLM-1XS Base, (1) SLM-2XS Knuckle, (1) SLM-SBH-XS Sensor Holder, (1) SLM-SB-8 Sensor Bracket
AFSB-1000-SBKIT-12	(1) AFSB-1XS Base, (1) AFSB-2XS Knuckle, (1) AFSB-SBH-XS Sensor Holder, (1) AFSB-SB-12 Sensor Bracket	SLM-1000-SBKIT-12	(1) SLM-1XS Base, (1) SLM-2XS Knuckle, (1) SLM-SBH-XS Sensor Holder, (1) SLM-SB-12 Sensor Bracket
AFSB-1000-SBKIT-18	(1) AFSB-1 Base, (1) AFSB-2 Knuckle, (1) AFSB-SBH Sensor Holder, (1) AFSB-SB-18 Sensor Bracket	SLM-1000-SBKIT-18	(1) SLM-1 Base, (1) SLM-2 Knuckle, (1) SLM-SBH Sensor Holder, (1) SLM-SB-18 Sensor Bracket
AFSB-1000-SBKIT-30	(1) AFSB-1 Base, (1) AFSB-2 Knuckle, (1) AFSB-SBH Sensor Holder, (1) AFSB-SB-30 Sensor Bracket	SLM-1000-SBKIT-30	(1) SLM-1 Base, (1) SLM-2 Knuckle, (1) SLM-SBH Sensor Holder, (1) SLM-SB-30 Sensor Bracket

IMPERIAL

METRIC

Part # Description/Includes

Part # Description/Includes

Single Arm Kits

These kits are made ready to mount any standard series mounting plate. Plates must be ordered separate. Kits come with (1) Clamp Handle.

AFSB-1002	(2) AFSB-1 Bases, (2) AFSB-2 Knuckles, (1) AFSB-3-2 Link	SLM-10050	(2) SLM-1 Bases, (2) SLM-2 Knuckles, (1) SLM-3-50 Link
AFSB-1002XS	(2) AFSB-1XS Bases, (2) AFSB-2XS Knuckles, (1) AFSB-3-2XS Link	SLM-10050XS	(2) SLM-1XS Bases, (2) SLM-2XS Knuckles, (1) SLM-3-50XS Link
AFSB-1004	(2) AFSB-1 Bases, (2) AFSB-2 Knuckles, (1) AFSB-3-4 Link	SLM-100100	(2) SLM-1 Bases, (2) SLM-2 Knuckles, (1) SLM-3-100 Link
AFSB-1004XS	(2) AFSB-1XS Bases, (2) AFSB-2XS Knuckles, (1) AFSB-3-4XS Link	SLM-100100XS	(2) SLM-1XS Bases, (2) SLM-2XS Knuckles, (1) SLM-3-100XS Link
AFSB-1006	(2) AFSB-1 Bases, (2) AFSB-2 Knuckles, (1) AFSB-3-6 Link	SLM-100150	(2) SLM-1 Bases, (2) SLM-2 Knuckles, (1) SLM-3-150 Link
AFSB-1008	(2) AFSB-1 Bases, (2) AFSB-2 Knuckles, (1) AFSB-3-8 Link	SLM-100200	(2) SLM-1 Bases, (2) SLM-2 Knuckles, (1) SLM-3-200 Link
AFSB-10012	(2) AFSB-1 Bases, (2) AFSB-2 Knuckles, (1) AFSB-3-12 Link	SLM-100300	(2) SLM-1 Bases, (2) SLM-2 Knuckles, (1) SLM-3-300 Link

Dual Arm Kits

These kits utilize the Tee Knuckle so you can mount both a camera and a light. Plates must be ordered separate. Kits come with (2) Clamp Handles.

AFSB-1102	(3) AFSB-1 Bases, (4) AFSB-2 Knuckles, (1) AFSB-290 Tee Knuckle, (1) AFSB-3T Tee Link, (2) AFSB-3-2 Links	SLM-11050	(3) SLM-1 Bases, (4) SLM-2 Knuckles, (1) SLM-290 Tee Knuckle, (1) SLM-3T Tee Link, (2) SLM-3-50 Links
AFSB-1102XS	(3) AFSB-1XS Bases, (5) AFSB-2XS90 Knuckles, (1) AFSB-3XST Tee Link, (2) AFSB-3-2XS Link	SLM-11050XS	(3) SLM-1XS Bases, (5) SLM-2XS90 Knuckles, (1) SLM-3XST Tee Link, (2) SLM-3-50XS Link
AFSB-1104	(3) AFSB-1 Bases, (4) AFSB-2 Knuckles, (1) AFSB-290 Tee Knuckle, (1) AFSB-3T Tee Link, (2) AFSB-3-4 Links	SLM-110100	(3) SLM-1 Bases, (4) SLM-2 Knuckles, (1) SLM-290 Tee Knuckle, (1) SLM-3T Tee Link, (2) SLM-3-100 Links
AFSB-1104XS	(3) AFSB-1XS Bases, (5) AFSB-2XS90 Knuckles, (1) AFSB-3XST Tee Link, (2) AFSB-3-4XS Link	SLM-110100XS	(3) SLM-1XS Bases, (5) SLM-2XS90 Knuckles, (1) SLM-3XST Tee Link, (2) SLM-3-100XS Link
AFSB-1106	(3) AFSB-1 Bases, (4) AFSB-2 Knuckles, (1) AFSB-290 Tee Knuckle, (1) AFSB-3T Tee Link, (2) AFSB-3-6 Links	SLM-110150	(3) SLM-1 Bases, (4) SLM-2 Knuckles, (1) SLM-290 Tee Knuckle, (1) SLM-3T Tee Link, (2) SLM-3-150 Links
AFSB-1108	(3) AFSB-1 Bases, (4) AFSB-2 Knuckles, (1) AFSB-290 Tee Knuckle, (1) AFSB-3T Tee Link, (2) AFSB-3-8 Links	SLM-110200	(3) SLM-1 Bases, (4) SLM-2 Knuckles, (1) SLM-290 Tee Knuckle, (1) SLM-3T Tee Link, (2) SLM-3-200 Links
AFSB-11012	(3) AFSB-1 Bases, (4) AFSB-2 Knuckles, (1) AFSB-290 Tee Knuckle, (1) AFSB-3T Tee Link, (2) AFSB-3-12 Links	SLM-110300	(3) SLM-1 Bases, (4) SLM-2 Knuckles, (1) SLM-290 Tee Knuckle, (1) SLM-3T Tee Link, (2) SLM-3-300 Links

Operator Kits

AFSB-1000-4	This kit has a M30 thread for mounting start or E-stop button. Includes: (1) AFSB-4 Button Base, (1) AFSB-1 Base, (1) AFSB-2 knuckle.	SLM-1000-4	This kit has a M30 thread for mounting start or E-stop button. Includes: (1) SLM-4 Button Base, (1) SLM-1 Base, (1) SLM-2 knuckle.
AFSB-1000-7	This kit has an AFSB-7 with a 30mm thread for mounting stack lights for status. Includes: (1) AFSB-7 Sensor Mount, (1) AFSB-1 Base, (1) AFSB-2 knuckle.	SLM-1000-7	This kit has an SLM-7 with a 30mm thread for mounting stack lights for status. Includes: (1) SLM-7 Sensor Mount, (1) SLM-1 Base, (1) SLM-2 knuckle.
AFSB-1002XS-5XS	Imperial Universal Tripod Small Single Arm Kit - Includes: (1) AFSB-1XS Base, (2) AFSB-2XS90 Tee Knuckle, (1) AFSB-3-2XS Link, (1) AFSB-5XS Camera Stem	SLM-10050XS-5XS	Metric Universal Tripod Small Single Arm Kit - Includes: (1) SLM-1XS Base, (2) SLM-2XS90 Tee Knuckle, (1) SLM-3-50XS Link, (1) SLM-5XS Camera Stem
AFSB-1044-9	This kit has a monitor mount for VESA 75mm and 100mm. Includes: (1) AFSB-9 Plate, (2) AFSB-1 Bases, (3) AFSB-2 knuckles, (2) AFSB-3-4" Links.	SLM-100100100-9	This kit has a monitor mount for VESA 75mm and 100mm. Includes: (1) SLM-9 Plate, (2) SLM-1 Bases, (3) SLM-2 knuckles, (2) SLM-3-100mm Links.
AFSB-1100	This kit is a base Tee Link kit ready for additions. Includes: (1) AFSB-1 base, (1) AFSB-290 T-Knuckle, (1) AFSB-3T T-Link, (2) AFSB-2 knuckles.	SLM-1100	This kit is a base Tee Link kit ready for additions. Includes: (1) SLM-1 base, (1) SLM-290 T-Knuckle, (1) SLM-3T T-Link, (2) SLM-2 Knuckles.
AFSB-1100-4	This kit has 2 AFSB-4 which have M30 threads for mounting start/stop buttons. Includes: (2) AFSB-4 Button Bases, (1) AFSB-1 Base, (1) AFSB-290 T-knuckle, (1) AFSB-3T T-Link, (2) AFSB-2 knuckles.	SLM-1100-4	This kit has 2 SLM-4 which have M30 threads for mounting start/stop buttons. Includes: (2) SLM-4 Button Bases, (1) SLM-1 Base, (1) SLM-290 T-knuckle, (1) SLM-3T T-Link, (2) SLM-2 Knuckles.
AFSB-1102XS-5XS	Imperial Universal Tripod Small Dual Arm Kit - Includes: (2) AFSB-1XS Base, (5) AFSB-2XS90 Tee Knuckle, (2) AFSB-3-2XS Link, (1) AFSB-5XS Camera Stem	SLM-11050XS-5XS	Metric Universal Tripod Small Dual Arm Kit - Includes: (2) SLM-1XS Base, (5) SLM-2XS90 Tee Knuckle, (2) SLM-3-50XS Link, (1) SLM-5XS Camera Stem

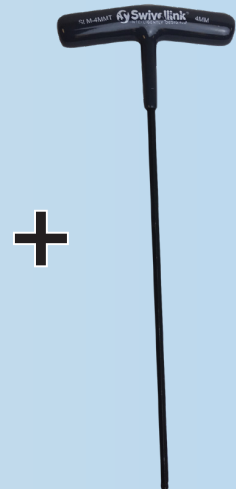
The Swivellink® demo kit is a must have for research development, maintenance, spare parts, and showing equipment to a first time user.

Each Demo Kit comes with 2 mounting plates of your choice.

IMPERIAL SL-DEMO CASE



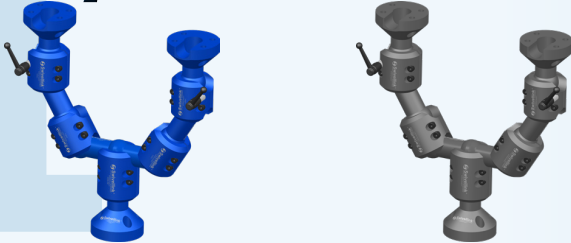
METRIC SLM-DEMO CASE



IMPERIAL		METRIC		Fits
Imperial #	Mounts to	Metric #	Mounts to	
Adapters				
AFSB-2-2XS	Imperial Standard or XS ball ends	SLM-2-2XS	Metric Standard or XS ball ends	This coupler connects a standard size ball to an XS series ball. This is great for mixing and matching to meet your needs.
AFSB-3	AFSB-2, AFSB-290, AFSB-2-2XS	SLM-3	SLM-2, SLM-290, SLM-2-2XS	A ball adapter that can only be used with a 1/2" NPT threaded pipe (Imperial) or a 3/8-19 BSPT (Metric) to acquire any length necessary.
AFSB-12-28.5	AFSB-2, AFSB-2XS	----	-----	Allows the 28.5MM ball to fit into AFSB-2 or AFSB-290 for a large range of motion.
Button Mount				
AFSB-4	AFSB-2, AFSB-290	SLM-4	SLM-2, SLM-290	Protects button from damage w/ threaded M30 x 1.5 & room for the cable connection inside.
Table Clamps				
AFSB-CB	AFSB-1, AFSB-1XS	SLM-CB	SLM-1, SLM-1XS	Can be used to mount any Swivellink to the side of a table & includes a tightening knob.
Handles				
AFSB-CLAMP HANDLE	AFSB-2, AFSB-290, AFSB-2XS, AFSB-2XS90, AFSB-2-2XS	SLM-CLAMP HANDLE	SLM-2, SLM-290, SLM-2XS, SLM-2XS90, SLM-2-2XS	The clamp handle kit can be used in the standard and XS series knuckles to make quick adjustments in the positioning of the arms. Remove one of the screws of the knuckle and add the spacer and handle. Once the position is set, tighten the remaining screws. The handle and spacer can then be removed and the original screw can be re-inserted, or the handle can be left on the knuckle.
Tools				
SL-0316-T	---	---	---	The 3/16 T-Handle wrench is used on the standard series to mount the AFSB-1 Ball Base to all of the standard series plates.
SL-0532-T	---	---	---	The 5/32 T-Handle wrench is for screws in all the standard series and XS series knuckles (AFSB-2, AFSB-290, AFSB-2XS, AFSB-2XS90, and AFSB-2-2XS) as well as the AFSB-1XS Ball Base mounting to the XS series mounting plates.
---	---	SLM-4MMT	---	The 4mm T-Handle is used in all metric series knuckles and to mount metric ball bases to metric mounting plates.

Step 1.

Imperial or Metric



When creating a Swivellink® mount the first thing you must decide is Imperial or Metric. The imperial will come with standard/English hardware and be blue in color. The metric will come with metric hardware and be gray in color. The screws supplied for the plates will vary between standard and metric depending on what the attached component requires.

HD Series is not currently available in Metric.

Step 2.

Standard or Small

After you decide on a Metric or Imperial mount, the next thing is size. Swivellink® offers three different sizes to choose from that should allow you to find an option for most applications. The XS series is designed for light weight components. The Standard series is designed for light to medium weight components. The HD series is designed for medium to heavy weight components.

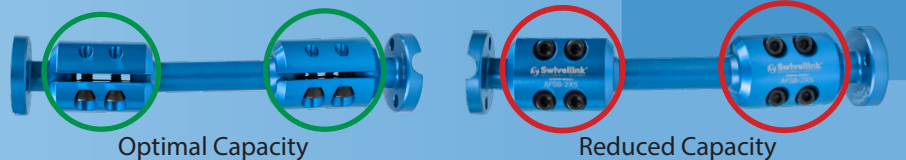
Below are some things to consider when choosing a size.

- Amount of weight the mount will be holding
- The overall length of the mount required
- Is there any vibration or motion where the Swivellink® arm will be mounted
- The area you have to work with

Strength may vary based on applications & the overall length of the mount:

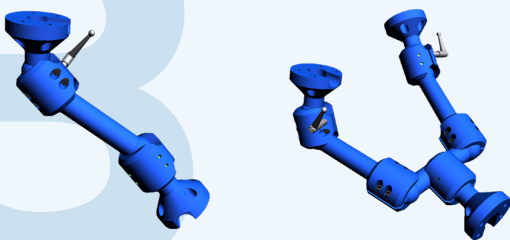
- **XS** – estimated hold weight 1-3 lbs or 0.45-1.36 kg (not recommended in areas with motion or vibration)
- **Standard** – estimated hold weight 4-30 lbs or 1.8-13.6 kg
- **HD** – estimated hold weight 31-70 lbs or 14-31.75 kg (limited to single arm Imperial mounts)

For optimal strength make sure the space between the knuckles is running the opposite direction of the angle of the link.



Step 3.

Single or Dual arm



With our mounts you have the option for a single or dual arm setup. A single arm will hold one component and a dual arm will hold two components.

For example, a dual arm allows you to hold a camera and light on one mount.

The knuckles needed for your mount are dependent on whether it's single or dual arm and the series of parts it's made of.

(HD series is only available as single arm Imperial mounts)

Step 4.

Link Sizes

Swivellink® offers different link sizes to help find that perfect length for most applications. Links are used with knuckles to extend the reach and increase the flexibility. The links are hollow to continue the cable routing ability.



XS Link Options:

- 2" and 4" (Imperial Series)
- 50mm and 100mm (Metric Series)
- Has 1/4" or 6.35mm hole clearance for cables

Standard Link Options:

- 2", 4", 6", 8", 12" (Imperial Series)
- 50mm, 100mm, 150mm, 200mm, 300mm (Metric Series)
- AFSB-3TSL-0610 (Imperial) & SLM-3TSL-150250 (Metric) Telescoping links
- Has 3/4" or 19.05mm hole clearance for cables

HD Link Options:

- 4" (Imperial Series)
- 6" (Imperial Series)
- Has 7/8" hole clearance for cables
- Not available in Metric

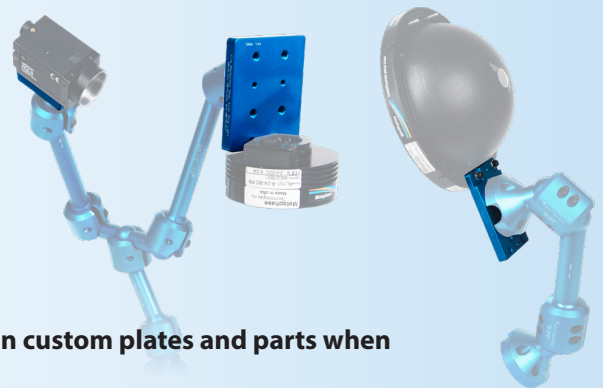
Step 5.

Mounting Plate

The mounting plate is what the component will attach to. Please see pages 7-18 for different mounting plate options and page 5 for the different brands we have plates for.

Most of our plates come with hardware to mount the specified camera/light/sensor/etc listed on the plate. We also have blank plates available for custom setups.

Please keep in mind that we machine our own parts so we can design custom plates and parts when needed. Please contact your local distributor for a quote.



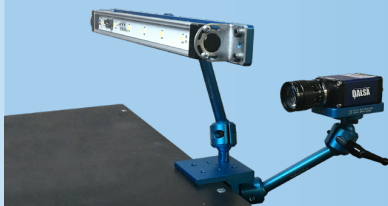
Step 6.

Tools

When you have completed your kit we have a few accessories to decide on that might be handy.

We have a clamp base available when wanting to setup your mount for a quick setup and tear down.

Will work on surfaces 3/4" – 2" or 19mm - 50mm thick.



We have T-Handles available for tightening knuckles.

We also have a clamp handle available to help make quick adjustments in the positioning of the arms.

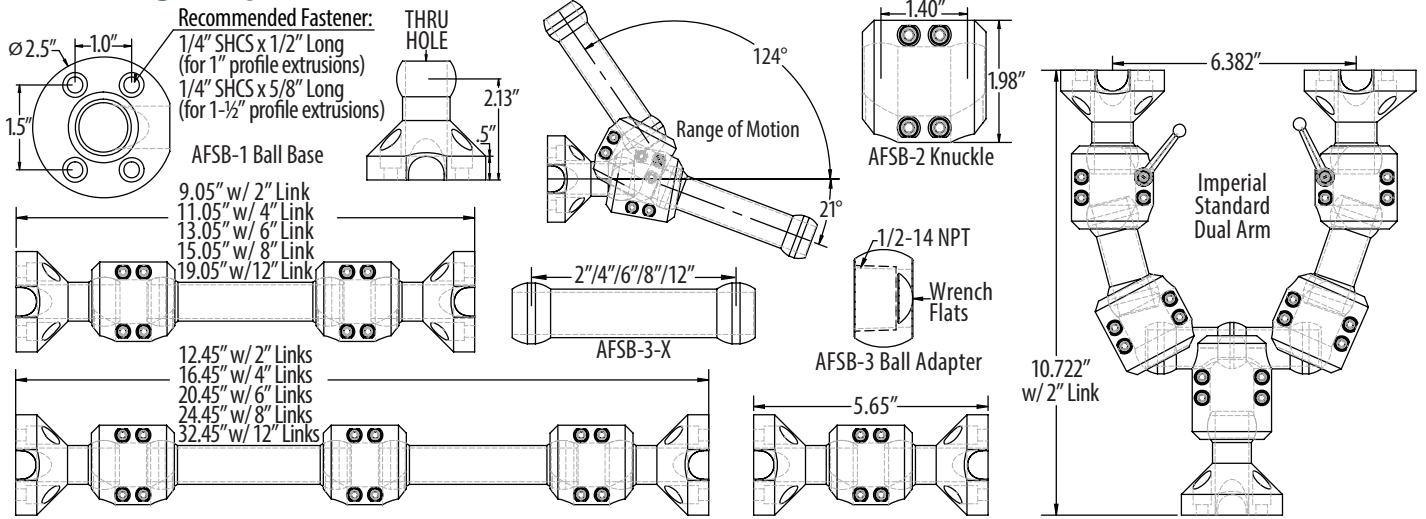
To use the clamp handle, remove one of the screws out of the knuckle and add the spacer and handle. Once the position is set, tighten the remaining screws. The handle and spacer can then be removed and the original screw can be re-inserted, or the handle can be left on the knuckle.

Removing the clamp handle only works with the standard series knuckle, the XS series will move out of position if you take the handle out to insert the regular screw.

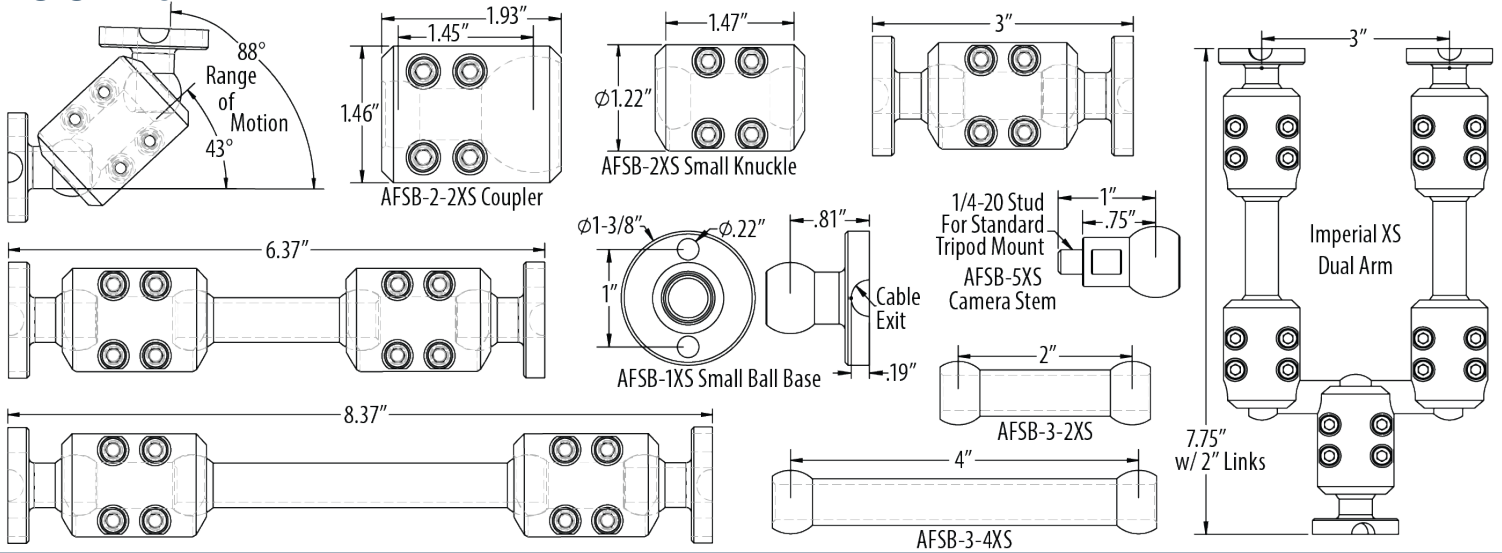


Be sure to visit the Brand match section on our website as we are always adding new brands and plates.

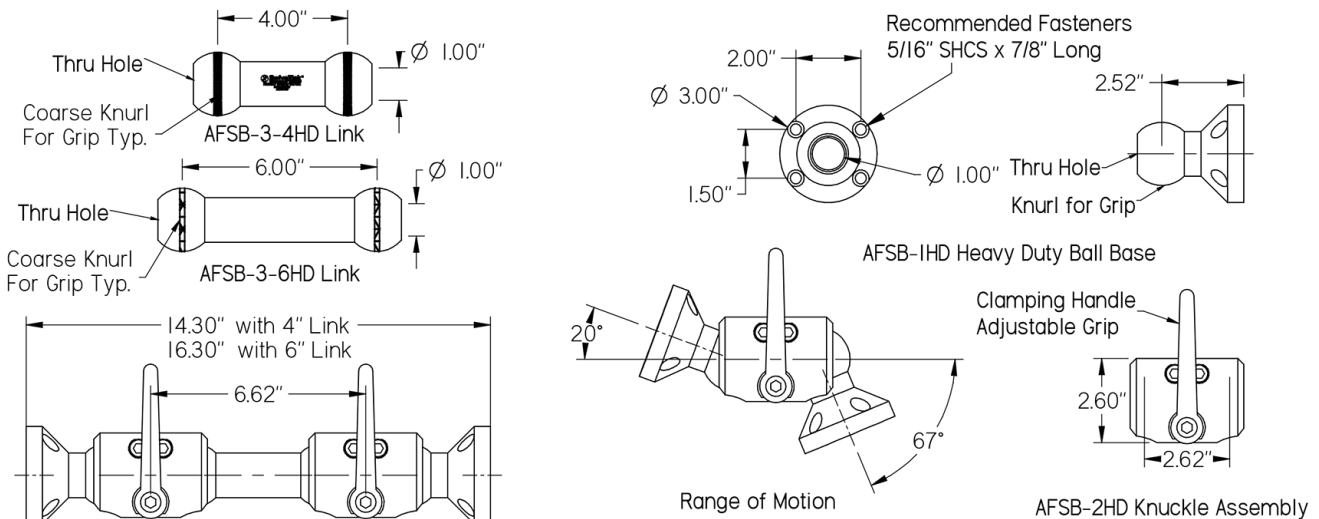
STANDARD SERIES



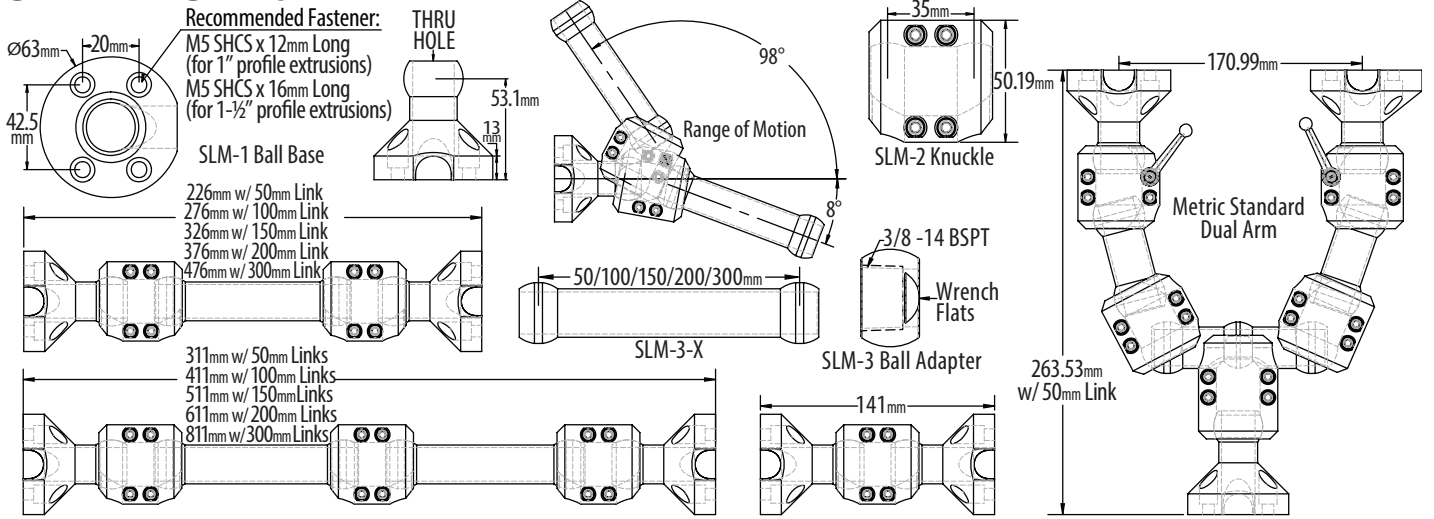
XS SERIES



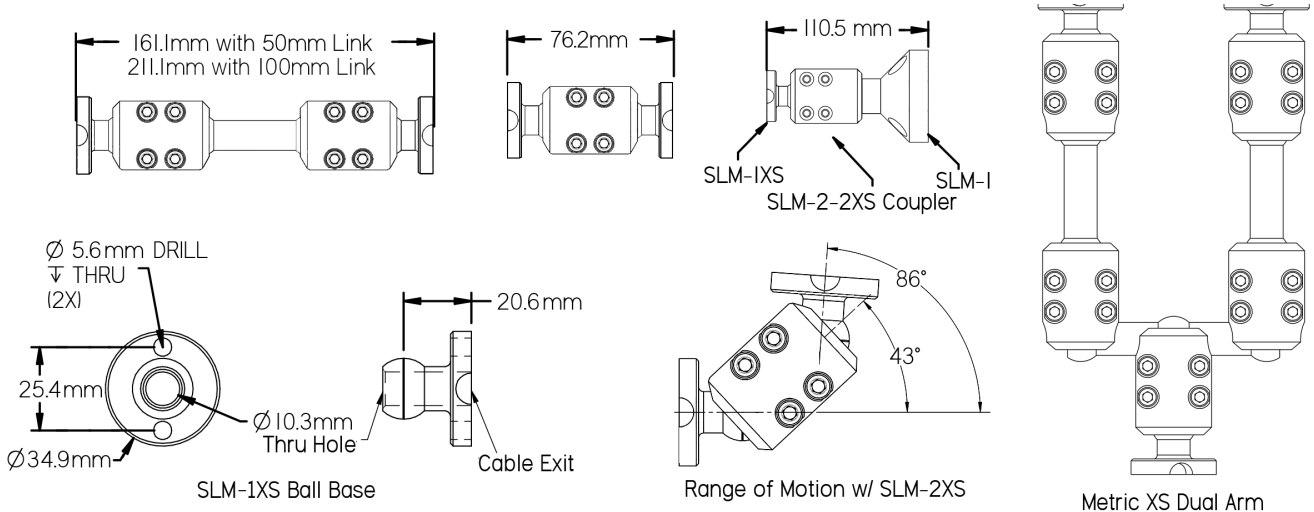
HD SERIES

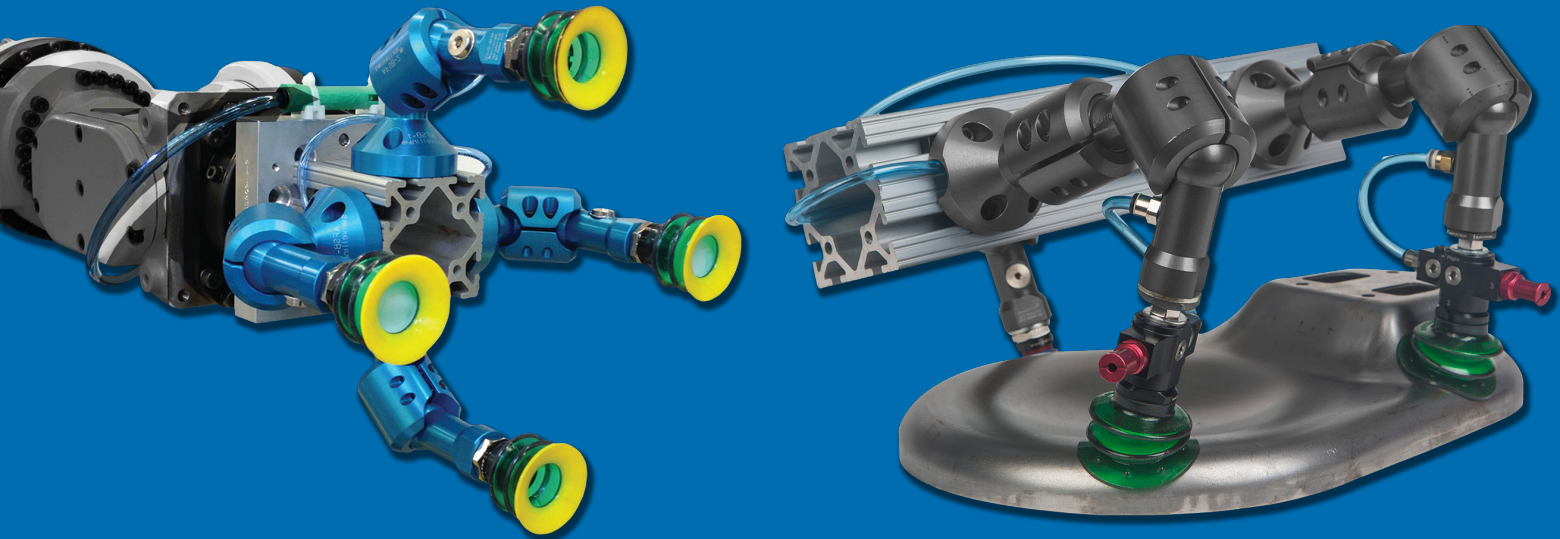


STANDARD SERIES



XS SERIES

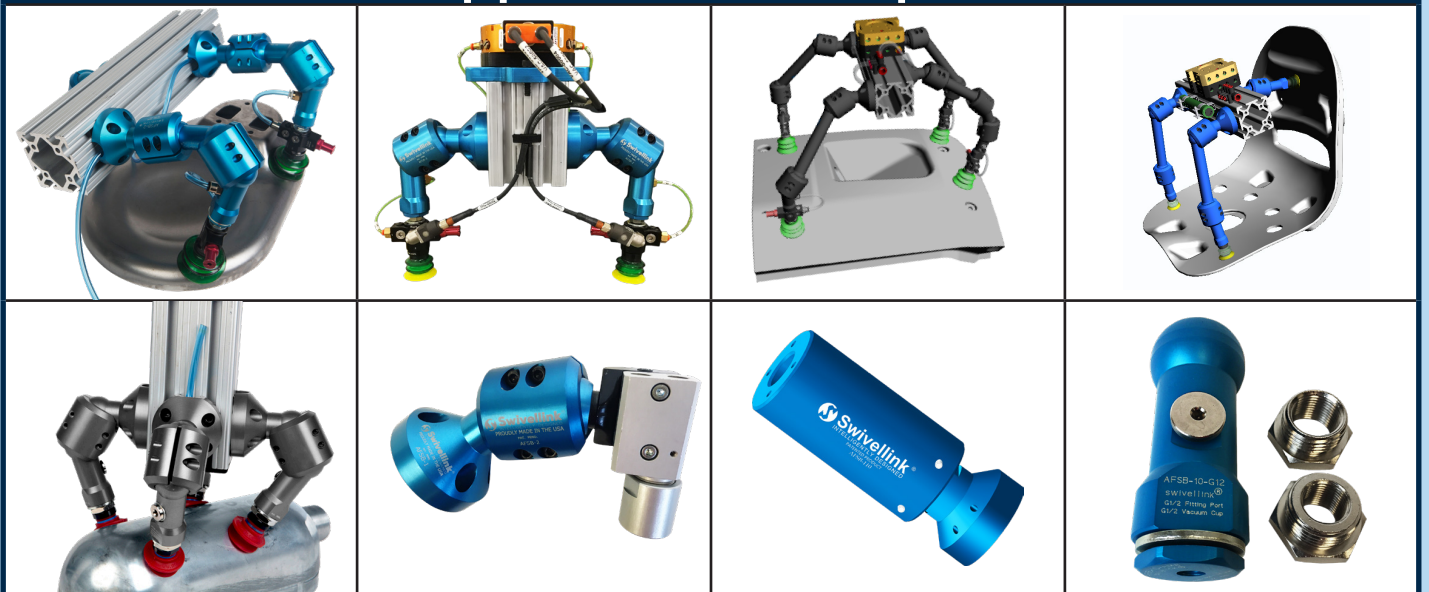




Our vacuum kit includes everything needed to add vacuum to any standard series product. Directly thread in any vacuum cup with a G1/2 fitting or use one of the included adapters for G3/8 or G1/4 fittings. The supply hose routes back through the knuckles, links, and bases for a clean and reliable solution with no exposed hoses.

We also include a special adapter for mounting decentralized vacuum grippers that have an M8 stud. The side port allows the pressure supply to run internally and the only exposed hose is at the gripper.

Application Examples



IMPERIAL		METRIC	
Part #	Description	Part #	Description
Kits			
AFSB-10-V	This kit includes everything needed to add vacuum to our standard series products. Directly thread in any vacuum cup with a G1/2 fitting or use one of the included adapters for G3/8 or G1/4 fittings. We also include a special adapter for mounting decentralized vacuum grippers that have an M8 stud. The side port allows the pressure supply to run internally and the only exposed hose is at the gripper. Vacuum components not included.	SLM-10-V	This kit includes everything needed to add vacuum to our standard series products. Directly thread in any vacuum cup with a G1/2 fitting or use one of the included adapters for G3/8 or G1/4 fittings. We also include a special adapter for mounting decentralized vacuum grippers that have an M8 stud. The side port allows the pressure supply to run internally and the only exposed hose is at the gripper. Vacuum components not included.
AFSB-1000-10-V	This kit adds a knuckle and a ball base to the AFSB-10-V for a great start to building your vacuum gripper. By adding links and knuckles, this kit can be extended to fit most any need. Includes: (1) AFSB-10-V Vacuum Kit, (1) AFSB-1 base, (1) AFSB-2 knuckle. Vacuum components not included.	SLM-1000-10-V	This kit adds a knuckle and a ball base to the SLM-10-V for a great start to building your vacuum gripper. By adding links and knuckles, this kit can be extended to fit most any need. Includes: (1) SLM-10-V Vacuum Kit, (1) SLM-1 base, (1) SLM-2 knuckle. Vacuum components not included.
AFSB-EOAT-KIT	This kit is ready to add a robot mounting plate and vacuum cups to create a 4 arm vacuum gripper. Includes: (4) AFSB-1000-10-V gripper arms, Aluminum Extrusion, and bottom cap, Robot mounting plate must be ordered separately. Vacuum components not included.	SLM-EOAT-KIT	This kit is ready to add a robot mounting plate and vacuum cups to create a 4 arm vacuum gripper. Includes: (4) SLM-1000-10-V gripper arms, Aluminum Extrusion, and bottom cap, Robot mounting plate must be ordered separately. Vacuum components not included.
AFSB-EOATX2-KIT	This kit is ready to add a robot mounting plate and vacuum cups to create a 2 arm vacuum gripper. Includes: (2) AFSB-1000-10-V gripper arms, Aluminum Extrusion, and bottom cap, Robot mounting plate must be ordered separately. Vacuum components not included.	SLM-EOATX2-KIT	This kit is ready to add a robot mounting plate and vacuum cups to create a 2 arm vacuum gripper. Includes: (2) SLM-1000-10-V gripper arms, Aluminum Extrusion, and bottom cap, Robot mounting plate must be ordered separately. Vacuum components not included.
AFSB-EOATX3-KIT	This kit is ready to add a robot mounting plate and vacuum cups to create a 3 arm vacuum gripper. Includes: (3) AFSB-1000-10-V gripper arms, Aluminum Extrusion, and bottom cap, Robot mounting plate must be ordered separately. Vacuum components not included.	SLM-EOATX3-KIT	This kit is ready to add a robot mounting plate and vacuum cups to create a 3 arm vacuum gripper. Includes: (3) SLM-1000-10-V gripper arms, Aluminum Extrusion, and bottom cap, Robot mounting plate must be ordered separately. Vacuum components not included.
Robot Face Adapter Plates			
AFSB-100-EOAT	This adapter plate mounts to the robot adapter plate and to aluminum 1.5" and 1.0" series extrusions either vertically or horizontally. This plate can also mount (2) or (4) AFSB-1000-10-V vacuum arms directly onto the plate instead of using the aluminum extrusion.	SLM-100-EOAT	This adapter plate mounts to robot adapter plate and to aluminum 1.5" and 1.0" series extrusions either vertically or horizontally. This plate can also mount (2) or (4) SLM-1000-10-V vacuum arms directly onto the plate instead of using the aluminum extrusion.
AFSB-102-ISO 50	Fits: ISO 50 + (1) AFSB-1000-10-V vacuum arm mounting pattern	SLM-102-ISO 50	Fits: ISO 50 + (1) SLM-1000-10-V vacuum arm mounting pattern
AFSB-101-M6X4-50	This adapter plate mounts to the ISO 50 style robots. This plate can also mount (4) AFSB-1000-10-V vacuum arms directly onto the plate. (Pattern is (4) M6 Bolts)	SLM-101-M6X4-50	This adapter plate mounts to the ISO 50 style robots. This plate can also mount (4) SLM-1000-10-V vacuum arms directly onto the plate. (Pattern is (4) M6 Bolts)
AFSB-103-M5X4-31.5	This adaptor plate mounts to the ISO 31.5 style robots. This plate can also mount (4) AFSB-1000-10-V vacuum arms directly to the plate. Pattern is (4) M5 bolts)	SLM-103-M5X4-63	This adaptor plate mounts to the ISO 31.5 style robots. This plate can also mount (4) SLM-1000-10-V vacuum arms directly to the plate. Pattern is (4) M5 bolts)
AFSB-104-M6X4-40	This adaptor plate mounts to the ISO 40 style robots. This plate can also mount (4) AFSB-1000-10-V vacuum arms directly to the plate. Pattern is (4) M6 bolts)	SLM-104-M6X4-40	This adaptor plate mounts to the ISO 40 style robots. This plate can also mount (4) SLM-1000-10-V vacuum arms directly to the plate. Pattern is (4) M6 bolts)
AFSB-105-M6X4-63	This adaptor plate mounts to the ISO 63 style robots. This plate can also mount (4) AFSB-1000-10-V vacuum arms directly to the plate. Pattern is (4) M6 bolts)	SLM-105-M6X4-63	This adaptor plate mounts to the ISO 63 style robots. This plate can also mount (4) SLM-1000-10-V vacuum arms directly to the plate. Pattern is (4) M6 bolts)
Compensators			
AFSB-112	Spring Loaded Compensator Assembly	SLM-112	Spring Loaded Compensator Assembly



VISION CONSULTANCY
MAKING THE UNSEEN VISIBLE

Thank you for downloading this catalogue from
www.machine-vision-shop.com

If you have any questions, you need help composing the
right package for your application or do you want to order?

Feel free to contact us via e-mail at sales@vision-consultancy.nl or visit our webshop.

Our vision experts are happy to help you.



Natascha Overhof



Christian Cromptvoets



VISION CONSULTANCY

Robert Schumandomein 2
6229 ES Maastricht
The Netherlands

+31 (0) 438 522 651

sales@vision-consultancy.nl
www.machine-vision-shop.com

Scan me to visit
[machine-vision-shop](http://machine-vision-shop.com)

