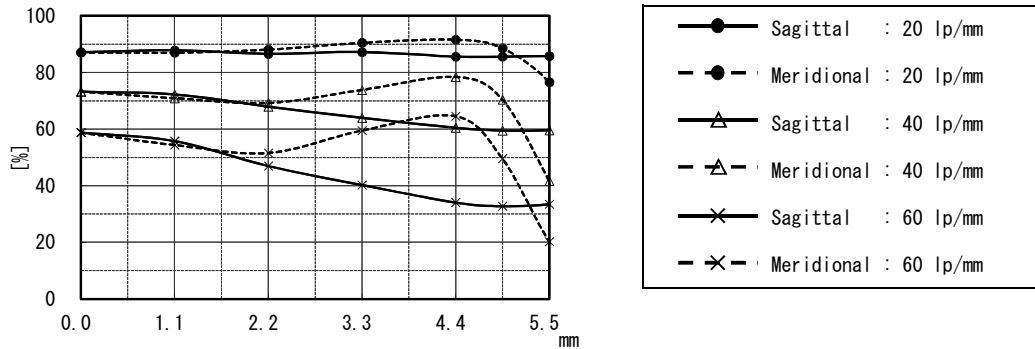
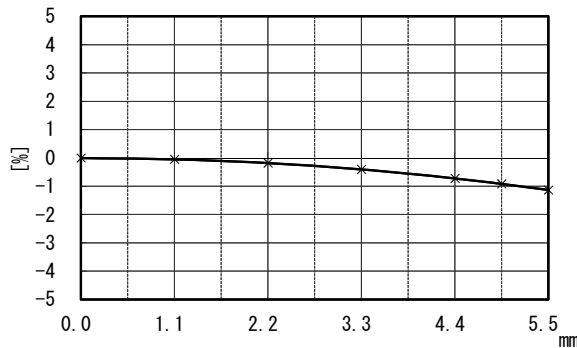


● Modulation Transfer Function (MTF)

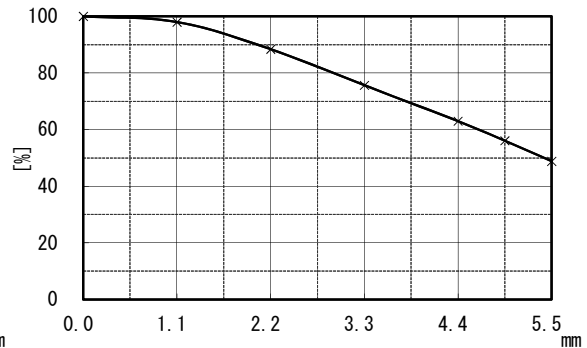
W. D. = 250mm



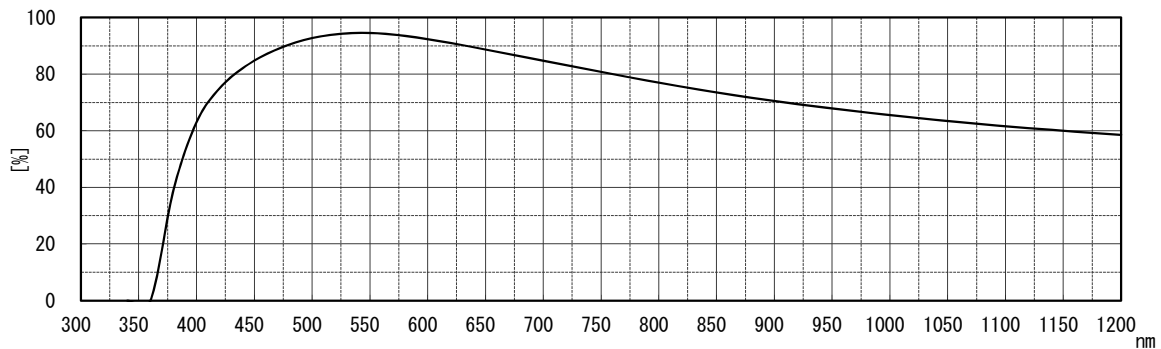
● Distortion (歪曲収差)



● Vignetting (周辺光量)



● Spectral Transmittance (分光透過率)



- Entrance Pupil Position (入射瞳位置) -16.95 [mm]\*
- Exit Pupil Position (射出瞳位置) -30.40 [mm]\*
- 1st Principal Point (第一主点) -12.93 [mm]\*
- 2nd Principal Point (第二主点) -25.62 [mm]\*

(\*:From Image Plane, W.D.=∞)

FL-CC2514A-2M

f=25mm F1.4

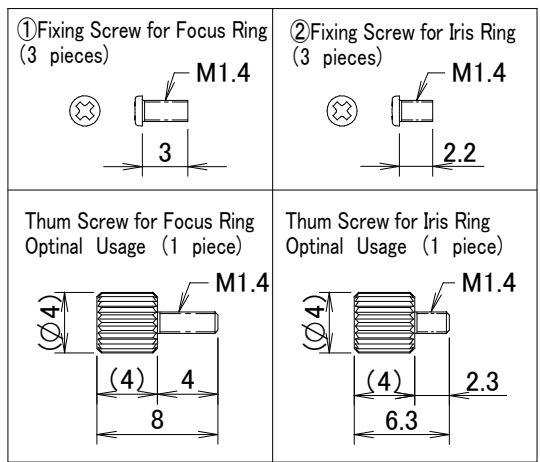
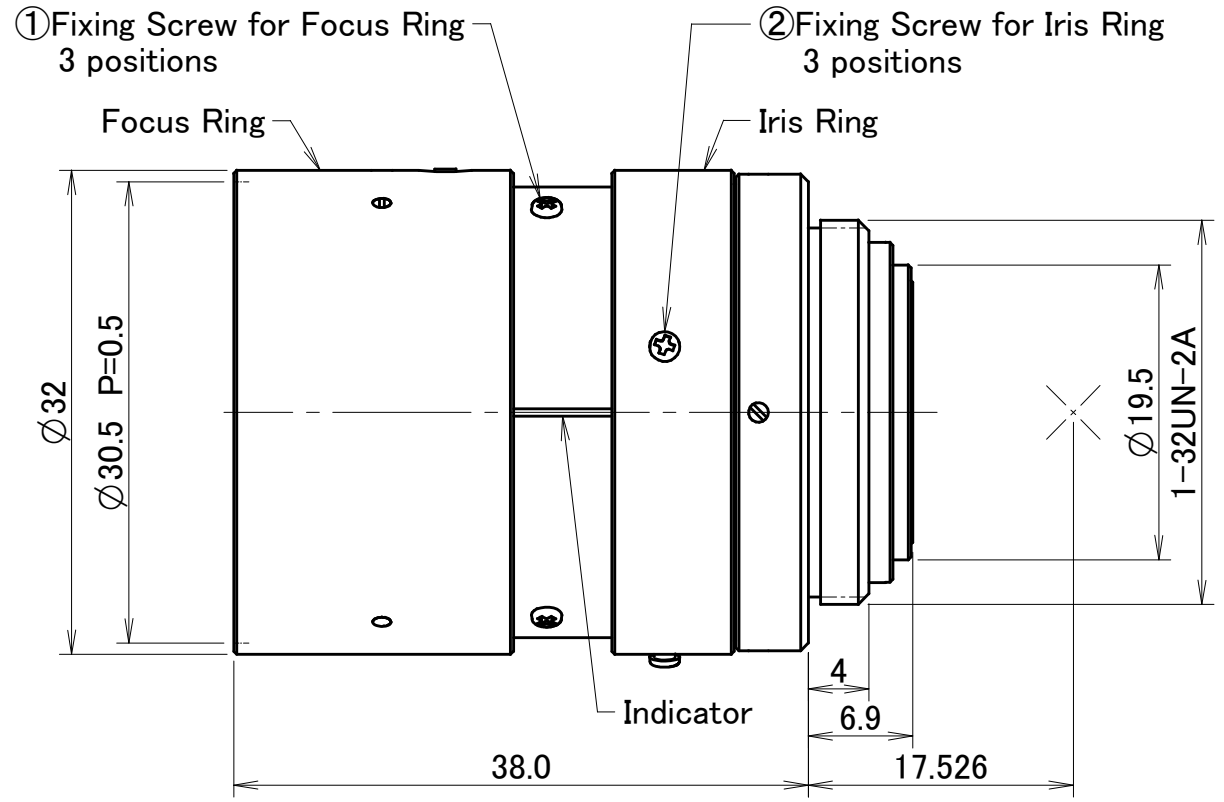
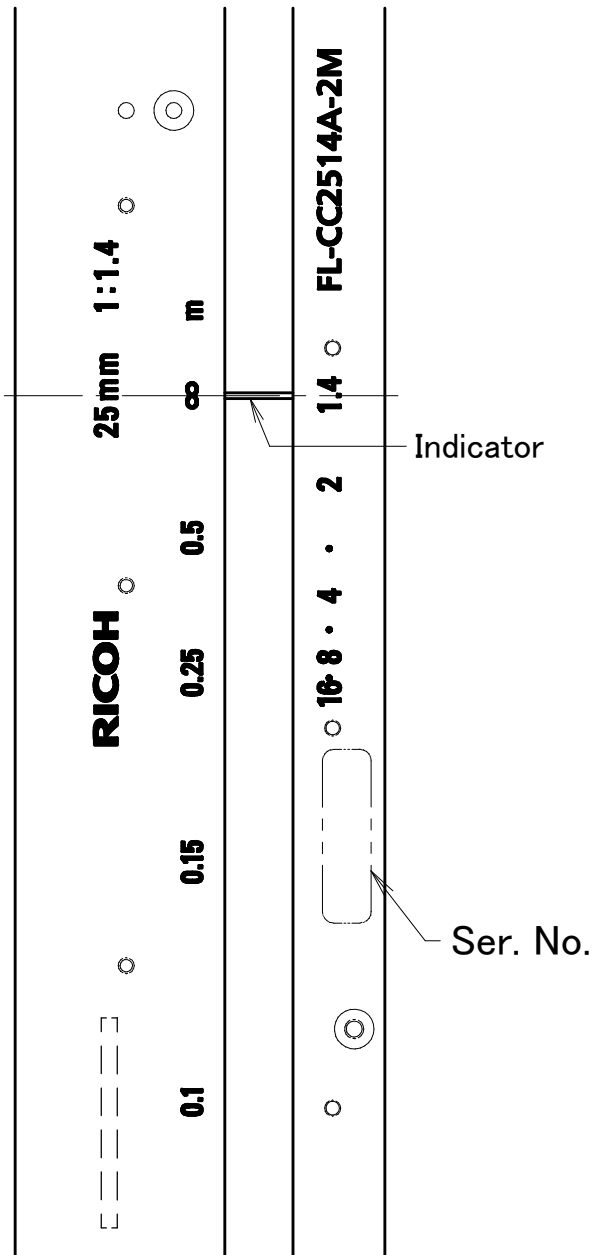
				Date Drawn	Checked Nuno	Approved
				Oct. 10. 2013	Drawn Koguchi	Naoe
No.	Revisions	by	Date			

1. Model	FL-CC2514A-2M
2. Application	For 2/3 Format Camera
3. Specification	
3-1. Physical (As per the attached drawing)	
(1) Dimensions	$\phi 32.0 \text{ mm} \times 38.0 \text{ mm}$
(2) Weight	63 g
(3) Mount	C-Mount (1 - 32 UN - 2A)
(4) Filter Screw Size	$\phi 30.5 \text{ mm}$ , P = 0.5 mm
3-2. Optical	
(1) Focal Length	25 mm $\pm 5\%$
(2) Max. Aperture Ratio	1: 1.4
(3) Iris Range	F / 1.4 to F / 16
(4) Angle of View	Diagonal 24.2° Horizontal 19.5° Vertical 14.7°
(5) Picture format	8.8 mm $\times$ 6.6 mm
(6) Focusing Range	Inf. to 0.1 m
(7) Back Focal Length	12.1 mm (in air)
(8) Flange Back Length	17.526 mm $\pm$ 0.05 mm (in air)
3-3. Mechanical	
(1) Focusing Mechanism	Straight Helicoid Rotation Angle 222° Rotation Torque 0.2N·cm to 7.0 N·cm Focus Ring can be fixed at any positions by 3 fixing screws (A) or 1 thumb screw (refer to external view)
(2) Iris Mechanism	Non-click, Close-down Rotation Angle 94° Rotation Torque 0.5N·cm to 7.0 N·cm Iris Ring can be fixed at any positions by 3 fixing screws (B) or 1 thumb screw (refer to external view)
3-4. Vibration & Shock Test Standard	
(1) Vibration Conditions	
Wave	Sine Wave
Acceleration	1.96 m/s <sup>2</sup> to 59.78 m/s <sup>2</sup>
Cycle Range	10 Hz to 55 Hz
Cycle Period	3 Minutes
Duration of Vibration	120 Minutes Respectively in Three Dimensional Directions
(2) Shock Conditions	
Tester	Shock Testing Machine by Dropping
Impact Force	588 m/s <sup>2</sup>
Duration of Shock	3.5 ms
Directions & Number of Times	1 Time Respectively in Three Dimensional Directions

3-5. Environmental Temperature Range       $-20^{\circ}\text{C}$  to  $+50^{\circ}\text{C}$

4. Accessories

(1) Front Lens Cap	1 piece	
(2) Rear Lens Cap	1 piece	
(3) Fixing Screw ① for Focus Ring	3 pieces	
(4) Fixing Screw ② for Iris Ring	3 pieces	
(5) Thumbscrew for Focus Ring	1 pieces	(for Optional Usage)
(6) Thumbscrew for Iris Ring	1 pieces	(for Optional Usage)
(7) Packing Box	1 piece	



SPEC. SHEET	FL-CC2514A-2M
	K65284-X001-B44
RICOH	Oct.10.2013



**VISION CONSULTANCY**  
MAKING THE UNSEEN VISIBLE

Thank you for downloading this document from  
[www.machine-vision-shop.com](http://www.machine-vision-shop.com)

If you have any questions, you need help composing the  
right package for your application or do you want to order?

Feel free to contact us via e-mail at [sales@vision-consultancy.nl](mailto:sales@vision-consultancy.nl) or visit our webshop.

Our vision experts are happy to help you.



Natascha Overhof



Christian Cromptvoets



**VISION CONSULTANCY**

Robert Schumandomein 2  
6229 ES Maastricht  
The Netherlands

+31 (0) 438 522 651

[sales@vision-consultancy.nl](mailto:sales@vision-consultancy.nl)  
[www.machine-vision-shop.com](http://www.machine-vision-shop.com)

Scan me to visit  
[machine-vision-shop](http://machine-vision-shop.com)

