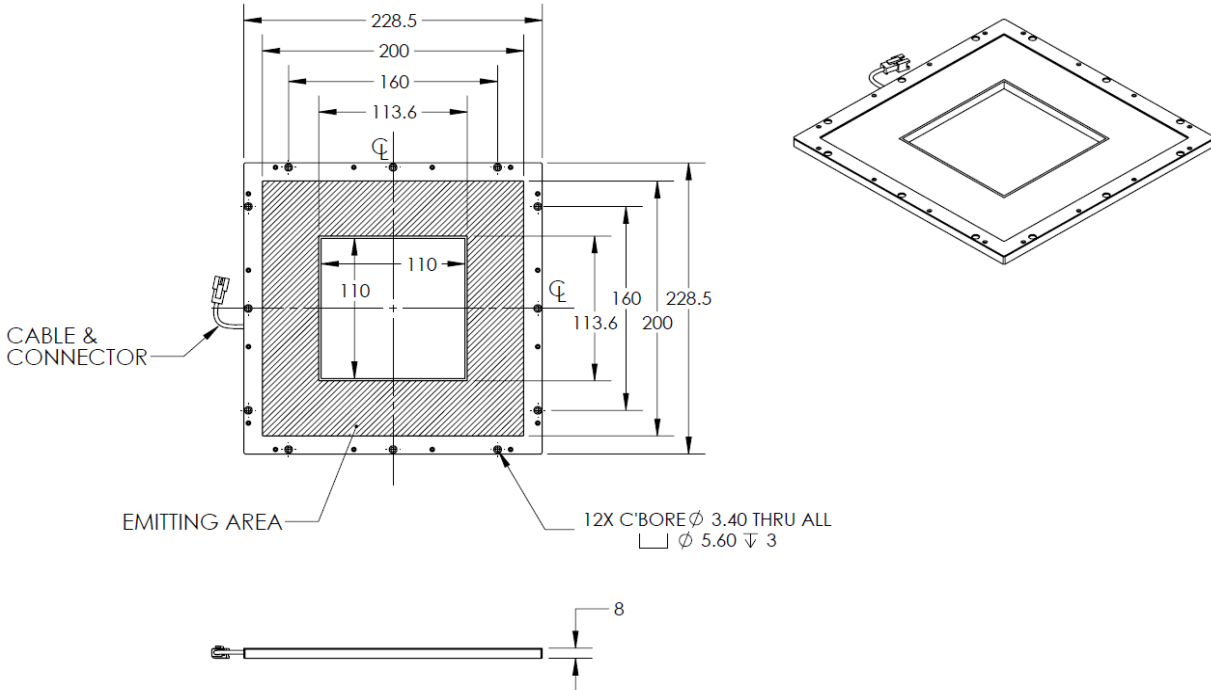




ILLUMINATOR DATA-ID

BHDQ-00-200X200-1-R-24V

Lighting Dimension




Mechanical Information	
Casing Material	Aluminium
Storage Temperature Range	Temp 0-45°C, Humidity 20-85%
Weight	409 g
Length / Outer Diameter	228.5 mm
Width / Inner Diameter	228.5 mm
Thickness / Height	8 mm



ILLUMINATOR DATA-ID

BHDQ-00-200X200-1-R-24V

Optical Information					
Part Number	BHDQ-00-200X200-1-R-24V				
LED Color	RED				
Wavelength	(nm)	620			
Intensity (±15%)	(Lux)	1400	1700	2100	2400
Working Distance	(mm)	40	50	60	70
Illumination (number of row)	1				
Illumination Active Area					
Active Length / Outer Diameter	(mm)	200 X 200			
Active Width / Inner Diameter	(mm)	113.6 X 113.6			
Emission angle	(deg.)	0			
Eye Safety Class (IEC62471)	EXEMPT				
Electrical Information					
Lighting Supply Voltage (constant voltage mode)	24V ± 2%				
Continuous Current	(mA)	600			
Power Consumption	(W)	14.4			
Lighting casing temperature, Operating after 60 minutes	°C	42.6			
Strobe Mode Specification					
Pulse Operation	YES				
Max. Lighting Supply Voltage (Constant voltage power supply)	(V)	Pulsing at 24VDC to 48VDC, 0-10% Duty Cycle, Recommended at 36VDC			
Pulse Current, (Max. 10msec) (Constant current power supply)	(mA)	1800			
Max. Trigger Pulse Duration	(msec)	10			
Duty Cycle	0-10%				
Additional Information					
Additional Cooling Method	Attached to machine part for better heat dissipation				
Intensity Controller Selection	ANG, ST, SD and SDA Series				
CE Conformity	YES				
RoHS Compliance	YES				
Connection					
Connector Type (Default):	JST SMR-03V				
Cable Length out from lighting :	(mm)	500			
Pin Configuration :		Pin	Signal	Cable Color	
		1	LED +	RED	
		2	N.C.	---	
		3	LED -	WHITE	
					
Application					
Illumination Type	Backlight Illumination				
Applicattion Use	Lead frame inspection, shape recognition, size measurement.				



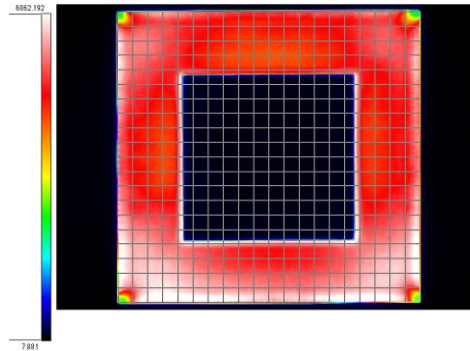
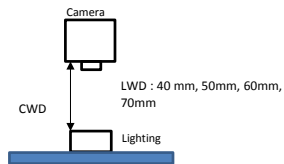
ILLUMINATOR DATA-ID

BHDQ-00-200X200-1-R-24V

Uniform Graph (Relative Irradiation Strength) - Representative pattern

Lens focal length, $f = 0\text{mm}$
CWD = 550mm
LWD = 40mm, 50mm, 60mm, 70mm
Lighting angle: 0

Tolerance %	L X W
10%	6 x 50
20%	32 x 165
30%	66 x 170
40%	194 x 176



* 1 cell = 2mm x 2mm



VISION CONSULTANCY
MAKING THE UNSEEN VISIBLE

Thank you for downloading this document from
www.machine-vision-shop.com

If you have any questions, you need help composing the
right package for your application or do you want to order?

Feel free to contact us via e-mail at sales@vision-consultancy.nl or visit our webshop.

Our vision experts are happy to help you.



Natascha Overhof



Christian Cromptvoets



VISION CONSULTANCY

Robert Schumandomein 2
6229 ES Maastricht
The Netherlands

+31 (0) 438 522 651

sales@vision-consultancy.nl
www.machine-vision-shop.com

Scan me to visit
[machine-vision-shop](http://machine-vision-shop.com)

