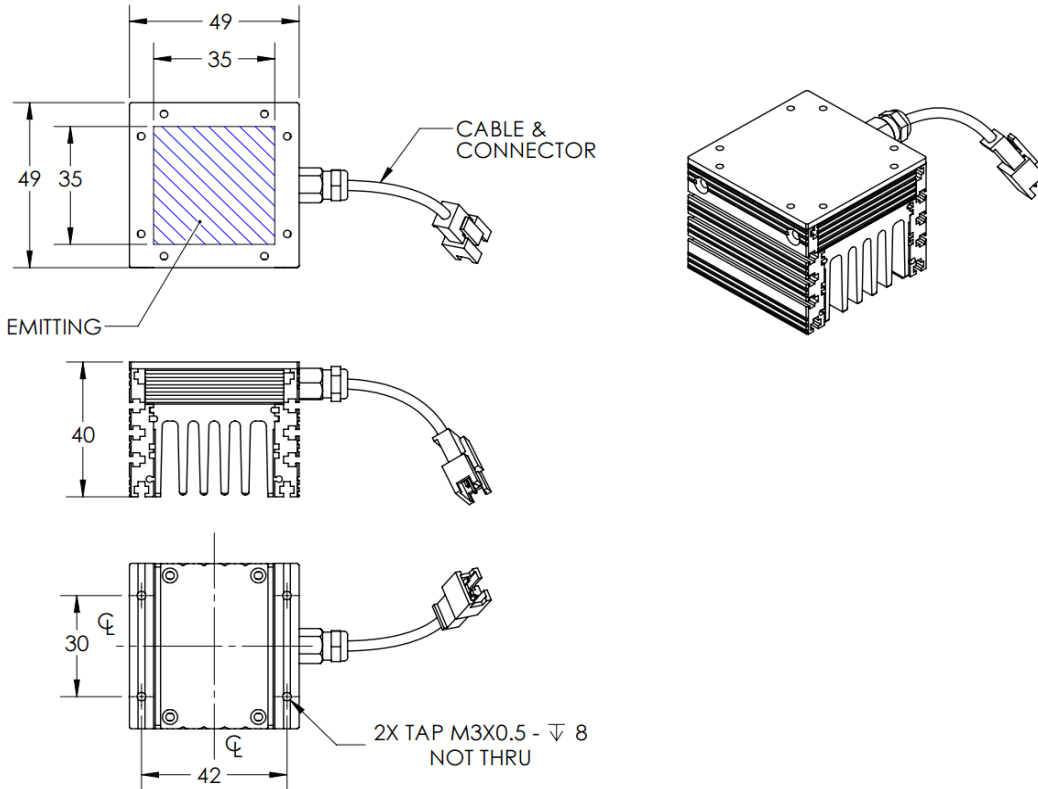




# ILLUMINATOR DATA-ID

## BHH-00-035-X-W-24V

### Lighting Dimension




| Mechanical Information    |                                |
|---------------------------|--------------------------------|
| Casing Material           | Aluminium                      |
| Storage Temperature Range | Temp 0 - 45°C, Humidity 20-85% |
| Weight                    | 135 g                          |
| Length / Outer Diameter   | 49 mm                          |
| Width / Inner Diameter    | 49 mm                          |
| Thickness / Height        | 40 mm                          |



# ILLUMINATOR DATA-ID

## BHH-00-035-X-W-24V

| Optical Information  |        |   |        |             |   |       |       |       |       |       |   |       |       |      |      |   |       |       |       |       |   |       |       |       |       |
|--|--------|---|--------|-------------|---|-------|-------|-------|-------|-------|---|-------|-------|------|------|---|-------|-------|-------|-------|---|-------|-------|-------|-------|
| Part Number  |        | BHH-00-035-X-W-24V  |        |             |   |       |       |       |       |       |   |       |       |      |      |   |       |       |       |       |   |       |       |       |       |
| LED Color  |        | WHITE   |        |             |   |       |       |       |       |       |   |       |       |      |      |   |       |       |       |       |   |       |       |       |       |
| Wavelength   | (nm)   | * Refer to the Chromaticity Table Below   |        |             |   |       |       |       |       |       |   |       |       |      |      |   |       |       |       |       |   |       |       |       |       |
| Intensity (±15%)   | (Lux)  | 72562   | 42316  | 25560       |   |       |       |       |       |       |   |       |       |      |      |   |       |       |       |       |   |       |       |       |       |
| Working Distance   | (mm)   | 10  | 20     | 30          |   |       |       |       |       |       |   |       |       |      |      |   |       |       |       |       |   |       |       |       |       |
| Illumination (number of row)                                 |        | X   |        |             |   |       |       |       |       |       |   |       |       |      |      |   |       |       |       |       |   |       |       |       |       |
| Illumination Active Area                                     |        |   |        |             |   |       |       |       |       |       |   |       |       |      |      |   |       |       |       |       |   |       |       |       |       |
| Active Length / Outer Diameter                               | (mm)   | 35  |        |             |   |       |       |       |       |       |   |       |       |      |      |   |       |       |       |       |   |       |       |       |       |
| Active Width / Inner Diameter                                | (mm)   | 35  |        |             |   |       |       |       |       |       |   |       |       |      |      |   |       |       |       |       |   |       |       |       |       |
| Emission angle   | (deg.) | 0   |        |             |   |       |       |       |       |       |   |       |       |      |      |   |       |       |       |       |   |       |       |       |       |
| Eye Safety Class ( IEC62471 )                                |        | EXEMPT  |        |             |   |       |       |       |       |       |   |       |       |      |      |   |       |       |       |       |   |       |       |       |       |
| *CHROMATICITY TABLE  |        | <table border="1"> <tr> <td>X</td> <td>0.296</td> <td>0.287</td> <td>0.307</td> <td>0.311</td> <td>X</td> <td>0.311</td> <td>0.307</td> <td>0.33</td> <td>0.33</td> </tr> <tr> <td>Y</td> <td>0.276</td> <td>0.295</td> <td>0.315</td> <td>0.294</td> <td>Y</td> <td>0.294</td> <td>0.315</td> <td>0.339</td> <td>0.318</td> </tr> </table> |        |             |   | X     | 0.296 | 0.287 | 0.307 | 0.311 | X | 0.311 | 0.307 | 0.33 | 0.33 | Y | 0.276 | 0.295 | 0.315 | 0.294 | Y | 0.294 | 0.315 | 0.339 | 0.318 |
| X  | 0.296  | 0.287   | 0.307  | 0.311       | X | 0.311 | 0.307 | 0.33  | 0.33  |       |   |       |       |      |      |   |       |       |       |       |   |       |       |       |       |
| Y  | 0.276  | 0.295   | 0.315  | 0.294       | Y | 0.294 | 0.315 | 0.339 | 0.318 |       |   |       |       |      |      |   |       |       |       |       |   |       |       |       |       |
| Electrical Information                                       |        |   |        |             |   |       |       |       |       |       |   |       |       |      |      |   |       |       |       |       |   |       |       |       |       |
| Lighting Supply Voltage (constant voltage mode)              |        | 24V ± 2%  |        |             |   |       |       |       |       |       |   |       |       |      |      |   |       |       |       |       |   |       |       |       |       |
| Continuous Current   | (mA)   | 150   |        |             |   |       |       |       |       |       |   |       |       |      |      |   |       |       |       |       |   |       |       |       |       |
| Power Consumption  | (W)    | 3.6   |        |             |   |       |       |       |       |       |   |       |       |      |      |   |       |       |       |       |   |       |       |       |       |
| Lighting casing temperature, Operating after 60 minutes      | °C     | 68.4  |        |             |   |       |       |       |       |       |   |       |       |      |      |   |       |       |       |       |   |       |       |       |       |
| Strobe Mode Specification                                    |        |   |        |             |   |       |       |       |       |       |   |       |       |      |      |   |       |       |       |       |   |       |       |       |       |
| Pulse Operation  |        | YES   |        |             |   |       |       |       |       |       |   |       |       |      |      |   |       |       |       |       |   |       |       |       |       |
| Max. Lighting Supply Voltage (Constant voltage power supply) | (V)    | Pulsing at 24VDC to 48VDC, 0-10% Duty Cycle, Recommended at 36VDC   |        |             |   |       |       |       |       |       |   |       |       |      |      |   |       |       |       |       |   |       |       |       |       |
| Pulse Current, (Max. 10msec) (Constant current power supply) | (mA)   | 450   |        |             |   |       |       |       |       |       |   |       |       |      |      |   |       |       |       |       |   |       |       |       |       |
| Max. Trigger Pulse Duration                                  | (msec) | 10  |        |             |   |       |       |       |       |       |   |       |       |      |      |   |       |       |       |       |   |       |       |       |       |
| Duty Cycle   |        | 0-10%   |        |             |   |       |       |       |       |       |   |       |       |      |      |   |       |       |       |       |   |       |       |       |       |
| Additional Information                                       |        |   |        |             |   |       |       |       |       |       |   |       |       |      |      |   |       |       |       |       |   |       |       |       |       |
| Additional Cooling Method                                    |        | Attached to machine part for better heat dissipation  |        |             |   |       |       |       |       |       |   |       |       |      |      |   |       |       |       |       |   |       |       |       |       |
| Intensity Controller Selection                               |        | ANG, ST, SD and SDA Series  |        |             |   |       |       |       |       |       |   |       |       |      |      |   |       |       |       |       |   |       |       |       |       |
| CE Conformity  |        | YES   |        |             |   |       |       |       |       |       |   |       |       |      |      |   |       |       |       |       |   |       |       |       |       |
| RoHS Compliance  |        | YES   |        |             |   |       |       |       |       |       |   |       |       |      |      |   |       |       |       |       |   |       |       |       |       |
| Connection   |        |   |        |             |   |       |       |       |       |       |   |       |       |      |      |   |       |       |       |       |   |       |       |       |       |
| Connector Type (Default):                                    |        | JST SMR-03V   |        |             |   |       |       |       |       |       |   |       |       |      |      |   |       |       |       |       |   |       |       |       |       |
| Cable Length out from lighting :                             | (mm)   | 500   |        |             |   |       |       |       |       |       |   |       |       |      |      |   |       |       |       |       |   |       |       |       |       |
| Pin Configuration :  |        | Pin   | Signal | Cable Color |   |       |       |       |       |       |   |       |       |      |      |   |       |       |       |       |   |       |       |       |       |
|  |        | 1   | LED +  | RED         |   |       |       |       |       |       |   |       |       |      |      |   |       |       |       |       |   |       |       |       |       |
|  |        | 2   | N.C.   | ---         |   |       |       |       |       |       |   |       |       |      |      |   |       |       |       |       |   |       |       |       |       |
|  |        | 3   | LED -  | WHITE       |   |       |       |       |       |       |   |       |       |      |      |   |       |       |       |       |   |       |       |       |       |
|  |        |   |        |             |   |       |       |       |       |       |   |       |       |      |      |   |       |       |       |       |   |       |       |       |       |
| Application  |        |   |        |             |   |       |       |       |       |       |   |       |       |      |      |   |       |       |       |       |   |       |       |       |       |
| Illumination Type  |        | Backlight Illumination  |        |             |   |       |       |       |       |       |   |       |       |      |      |   |       |       |       |       |   |       |       |       |       |
| Applicattion Use   |        | Lead frame inspection, shape recognition, size measurement.   |        |             |   |       |       |       |       |       |   |       |       |      |      |   |       |       |       |       |   |       |       |       |       |



**VISION CONSULTANCY**  
MAKING THE UNSEEN VISIBLE

Thank you for downloading this document from  
[www.machine-vision-shop.com](http://www.machine-vision-shop.com)

If you have any questions, you need help composing the  
right package for your application or do you want to order?

Feel free to contact us via e-mail at [sales@vision-consultancy.nl](mailto:sales@vision-consultancy.nl) or visit our webshop.

Our vision experts are happy to help you.



Natascha Overhof



Christian Cromptvoets



**VISION CONSULTANCY**

Robert Schumandomein 2  
6229 ES Maastricht  
The Netherlands

+31 (0) 438 522 651

[sales@vision-consultancy.nl](mailto:sales@vision-consultancy.nl)  
[www.machine-vision-shop.com](http://www.machine-vision-shop.com)

Scan me to visit  
[machine-vision-shop](http://machine-vision-shop.com)

