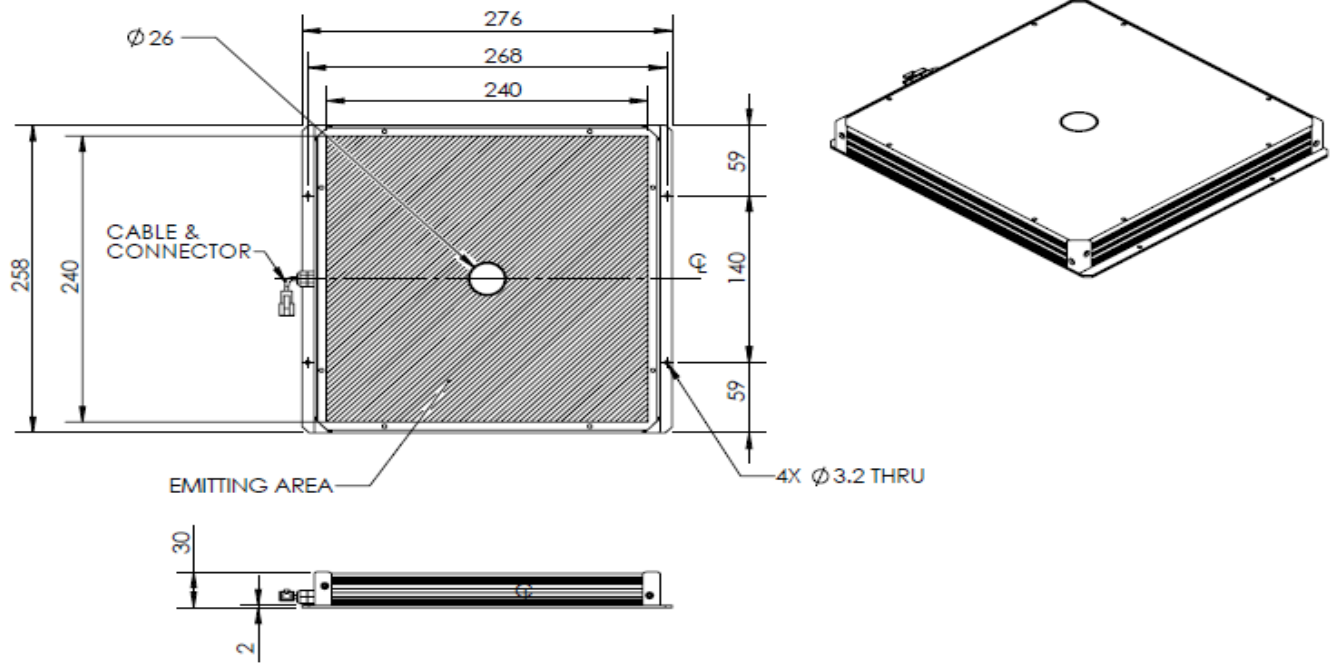




ILLUMINATOR DATA


BHLQ-00-240X240-X-W-24V

Lighting Dimension



Mechanical Information	
Casing Material	Aluminium
Storage Temperature Range	Temp 0-45°C, Humidity 20-85%
Weight	1500 g
Length	276 mm X 258 mm
Width	240 mm X 240 mm WITH $\phi 26$
Thickness	30 mm

BHLQ-00-240X240-X-W-24V

Optical Information			
Part Number	BHLQ-00-240X240-X-W-24V		
LED Color	WHITE		
Wavelength	(nm) *Refer to the Chromaticity Table below		
Intensity ($\pm 15\%$)	(Lux) 27633.2 25489 23543.6		
Working Distance	(mm) 70 85 100		
Illumination (number of row)	X		
Illumination Active Area			
Active Width	(mm) 26		
Active Length	(mm) 240 X 240		
Emission angle	(deg.) 0		
Eye Safety Class (IEC62471)	EXEMPT		
*CHROMATICITY TABLE			
X	0.296 0.287 0.307 0.311	X	0.311 0.307 0.33 0.33
Y	0.276 0.295 0.315 0.294	Y	0.294 0.315 0.339 0.318
Electrical Information			
Lighting Supply Voltage (constant voltage mode)	(constant voltage mode) 24V \pm 2%		
Continuous Current	(mA) 1605		
Power Consumption	(W) 38.52		
Lighting casing temperature, after 60 minutes	Operating $^{\circ}$ C 66.8		
Max.continuous current of Red,Green & Blue Leds on at a same time (RGB color)	$^{\circ}$ C RED, GREEN & BLUE LEDs on at a same time are not recommended		
Strobe Mode Specification			
Pulse Operation	YES		
Max. Lighting Supply Voltage (Constant voltage power supply)	(V) Pulsing at 24VDC to 48VDC, 0-10% Duty Cycle Recommended at 36VDC		
Pulse Current, (Max. 10msec) (Constant current power supply)	(mA) 4815		
Max. Trigger Pulse Duration	(msec) 10		
Duty Cycle	0-10%		
Additional Information			
Additional Cooling Method	Attached to machine part for better heat dissipation		
Life span in continuous mode	20,000 hours (drop to 50% intensity) at 25 $^{\circ}$ C		
Life span in strobe mode	Est. >50,000 hours (drop to 50% intensity) at 25 $^{\circ}$ C		
Intensity Controller Selection	ANG-Series, LC-Series, STB-Series		
CE Conformity	YES		
RoHS Compliance	YES		
Connection			
Connector Type (Default):	JST SMR-03V		
Cable Length out from lighting :	(mm) 500		
Pin Configuration :	Pin	Signal	Cable Color
	1	LED +	RED
	2	N.C.	---
	3	LED -	WHITE
			
Application			
Optimal Working Distance	(mm) 70-100		



VISION CONSULTANCY
MAKING THE UNSEEN VISIBLE

Thank you for downloading this document from
www.machine-vision-shop.com

If you have any questions, you need help composing the
right package for your application or do you want to order?

Feel free to contact us via e-mail at sales@vision-consultancy.nl or visit our webshop.

Our vision experts are happy to help you.



Natascha Overhof



Christian Cromptvoets



VISION CONSULTANCY

Robert Schumandomein 2
6229 ES Maastricht
The Netherlands

+31 (0) 438 522 651

sales@vision-consultancy.nl
www.machine-vision-shop.com

Scan me to visit
[machine-vision-shop](http://machine-vision-shop.com)

