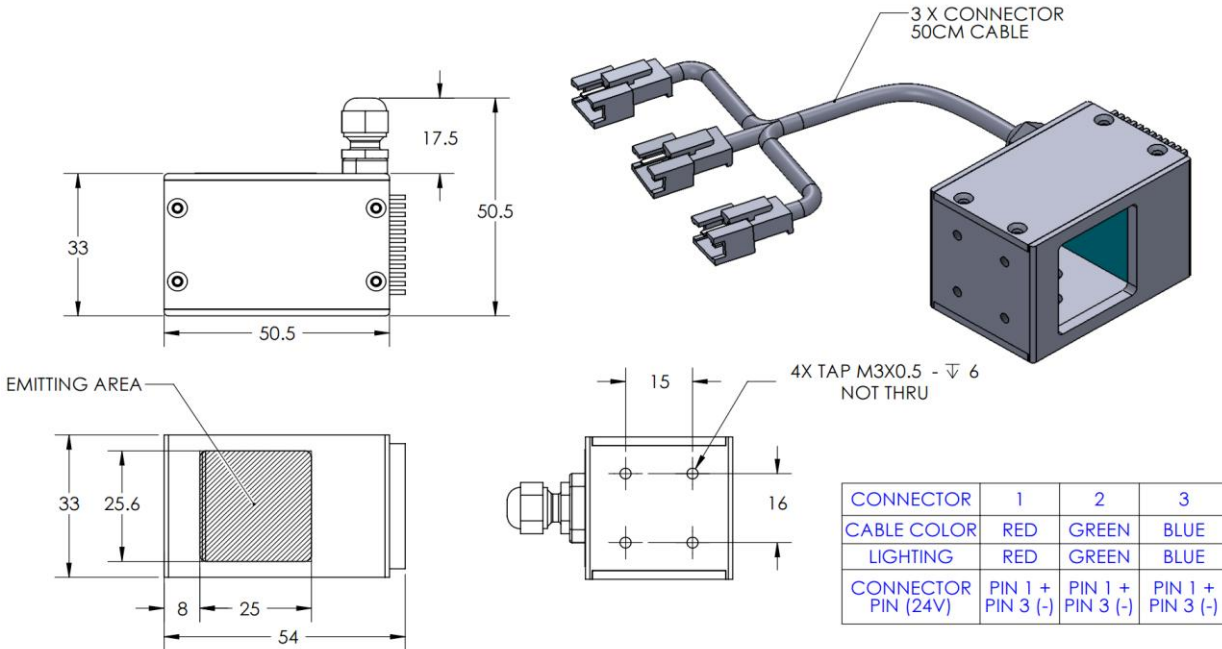




ILLUMINATOR DATA-ID

CAS2-00-025-X-RGB-24V

Lighting Dimension




Mechanical Information	
Casing Material	Aluminium
Storage Temperature Range	Temp 0 - 45°C, Humidity 20-85%
Weight	90 g
Length / Outer Diameter	33 mm
Width / Inner Diameter	33 mm
Thickness / Height	54 mm



ILLUMINATOR DATA-ID

CAS2-00-025-X-RGB-24V

Optical Information		CAS2-00-025-X-RGB-24V								
Part Number		CAS2-00-025-X-RGB-24V								
LED Color		RED			GREEN			BLUE		
Wavelength	(nm)	630			525			470		
Intensity (±15%)	(Lux)	7952	2811.6	1353.26	14895.8	4941.6	4174.8	20362.8	5836.2	2272
Working Distance	(mm)	20	30	40	20	30	40	20	30	40
Illumination (number of row)		6								
Illumination Active Area										
Active Length / Outer Diameter	(mm)	27								
Active Width / Inner Diameter	(mm)	27								
Emission angle	(deg.)	0								
Eye Safety Class (IEC62471)		EXEMPT			EXEMPT			II		
Electrical Information										
Lighting Supply Voltage (constant voltage mode)		24V ± 2%								
Continuous Current	(mA)	RED	54		GREEN	54		BLUE	54	
Power Consumption	(W)		1.3			1.3			1.3	
Lighting casing temperature, Operating after 60 minutes	°C	50.3		49		48.4				
Max. continuous current of RED, GREEN & BLUE LEDs on at the same time	(mA)	RED, GREEN & BLUE LEDs on at the same time are not recommended								
Strobe Mode Specification										
Pulse Operation		YES								
Max. Lighting Supply Voltage (Constant voltage power supply)	(V)	Pulsing at 24VDC to 48VDC, 0-10% Duty Cycle, Recommended at 36VDC								
Pulse Current, (Max. 10msec) (Constant current power supply)	(mA)	RED	162		GREEN	162		BLUE	162	
Max. pulse current of RED, GREEN & BLUE LEDs on at the same time	(V)	RED, GREEN & BLUE LEDs on at the same time are not recommended								
Max. Trigger Pulse Duration	(msec)	10								
Duty Cycle		0-10%								
Additional Information										
Additional Cooling Method		Attached to machine part for better heat dissipation								
Intensity Controller Selection		ANG, ST, SD and SDA Series								
CE Conformity		YES								
RoHS Compliance		YES								
Connection										
Connector Type (Default):		JST SMR-03V								
Cable Length out from lighting :	(mm)	500								
Pin Configuration :		Pin	Signal			Cable Color				
		1	LED +			RED				
		2	N.C.			---				
		3	LED -			WHITE				
										
Application										
Illumination Type		Direct Illumination								
Application Use		General illumination, label inspection, character inspection, code recognition.								



VISION CONSULTANCY
MAKING THE UNSEEN VISIBLE

Thank you for downloading this document from
www.machine-vision-shop.com

If you have any questions, you need help composing the
right package for your application or do you want to order?

Feel free to contact us via e-mail at sales@vision-consultancy.nl or visit our webshop.

Our vision experts are happy to help you.



Natascha Overhof



Christian Cromptvoets



VISION CONSULTANCY

Robert Schumandomein 2
6229 ES Maastricht
The Netherlands

+31 (0) 438 522 651

sales@vision-consultancy.nl
www.machine-vision-shop.com

Scan me to visit
[machine-vision-shop](http://machine-vision-shop.com)

