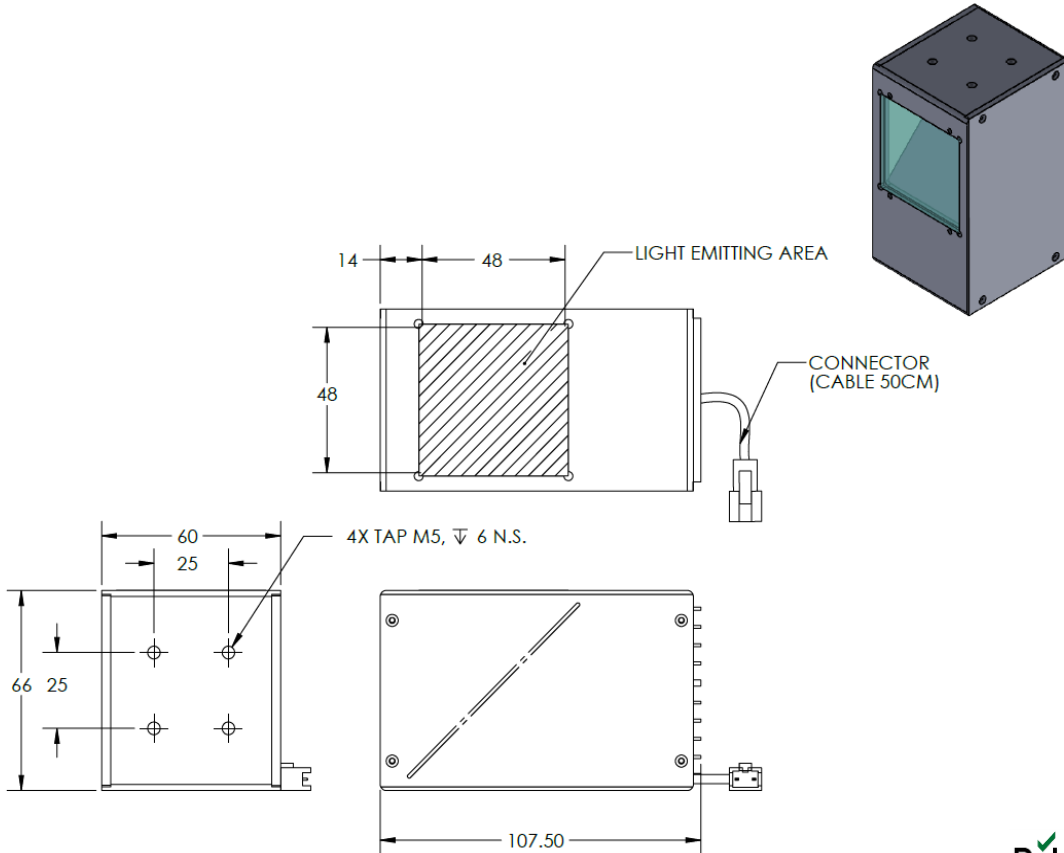




ILLUMINATOR DATA (ID)

CAS2-00-040-X-RGBW-24V

Lighting Dimension




Mechanical Information	
Casing Material	Aluminium
Storage Temperature Range	Temp 0-45°C, Humidity 20-85%
Weight	360g
Length / Outer Diameter	107.5mm
Width / Inner Diameter	66mm
Thickness / Height	60mm



ILLUMINATOR DATA (ID)

CAS2-00-040-X-RGBW-24V

Optical Information																																	
Part Number	CAS2-00-040-X-RGBW-24V																																
LED Color	RED			GREEN			BLUE			WHITE																							
Wavelength	(nm)	630			525			470			*Refer chromaticity table																						
Intensity (±15)	(Lux)	933	863	691	3230	2300	1790	3610	2430	1700	2420	1650	1610																				
Working Distance	(mm)	40	50	60	40	50	60	40	50	60	40	50	60																				
Illumination (number of row)	X																																
Illumination Active Area																																	
Active Length / Outer Dia.	(mm)	48																															
Active Width / Inner Dia.	(mm)	48																															
Emission angle	(deg.)	0																															
Eye Safety Class (IEC62471)	EXEMPT			EXEMPT			II			EXEMPT																							
*CHROMATICITY TABLE	<table border="1" style="width: 100%; border-collapse: collapse;"> <tr> <td>X</td><td>0.296</td><td>0.287</td><td>0.307</td><td>0.311</td> <td>X</td><td>0.311</td><td>0.307</td><td>0.33</td><td>0.33</td> </tr> <tr> <td>Y</td><td>0.276</td><td>0.295</td><td>0.315</td><td>0.294</td> <td>Y</td><td>0.294</td><td>0.315</td><td>0.339</td><td>0.318</td> </tr> </table>													X	0.296	0.287	0.307	0.311	X	0.311	0.307	0.33	0.33	Y	0.276	0.295	0.315	0.294	Y	0.294	0.315	0.339	0.318
X	0.296	0.287	0.307	0.311	X	0.311	0.307	0.33	0.33																								
Y	0.276	0.295	0.315	0.294	Y	0.294	0.315	0.339	0.318																								
Electrical Information																																	
Lighting Supply Voltage (constant voltage mode)	24V ± 2%																																
Continuous Current	(mA)	90			90			90			90																						
Power Consumption	(W)	2.16			2.16			2.16			2.16																						
Lighting casing temperature, Operating after 60 minutes	°C	39.2																															
Strobe Mode Specification																																	
Pulse Operation	YES																																
Max. Lighting Supply Voltage (Constant voltage power supply)	(V)	Pulsing at 24VDC to 48VDC, 0-10% Duty Cycle Recommended at 36VDC																															
Pulse Current, (Max. 10msec) (Constant current power supply)	(mA)	270			270			270			270																						
Max. Trigger Pulse Duration	(msec)	10																															
Duty Cycle	0-10%																																
Additional Information																																	
Additional Cooling Method	Attached to machine part for better heat dissipation																																
Intensity Controller Selection	ANG, SD, SDA and ST series																																
CE Conformity	YES																																
RoHS Compliance	YES																																
Connection																																	
Connector Type (Default):	JST SMR-03V																																
Cable Length out from lighting :	(mm)	500																															
Pin Configuration :		Pin	Signal					Cable Color																									
		1	LED +					RED																									
		2	N.C.					---																									
		3	LED -					WHITE																									
																																	
Application																																	
Illumination Type	Coaxial Illumination																																
Application Use	Surface inspection and alignment, wafer, metal surface, film, LCD, And glass, pattern on PCB																																



VISION CONSULTANCY
MAKING THE UNSEEN VISIBLE

Thank you for downloading this document from
www.machine-vision-shop.com

If you have any questions, you need help composing the
right package for your application or do you want to order?

Feel free to contact us via e-mail at sales@vision-consultancy.nl or visit our webshop.

Our vision experts are happy to help you.



Natascha Overhof



Christian Cromptvoets



VISION CONSULTANCY

Robert Schumandomein 2
6229 ES Maastricht
The Netherlands

+31 (0) 438 522 651

sales@vision-consultancy.nl
www.machine-vision-shop.com

Scan me to visit
[machine-vision-shop](http://machine-vision-shop.com)

