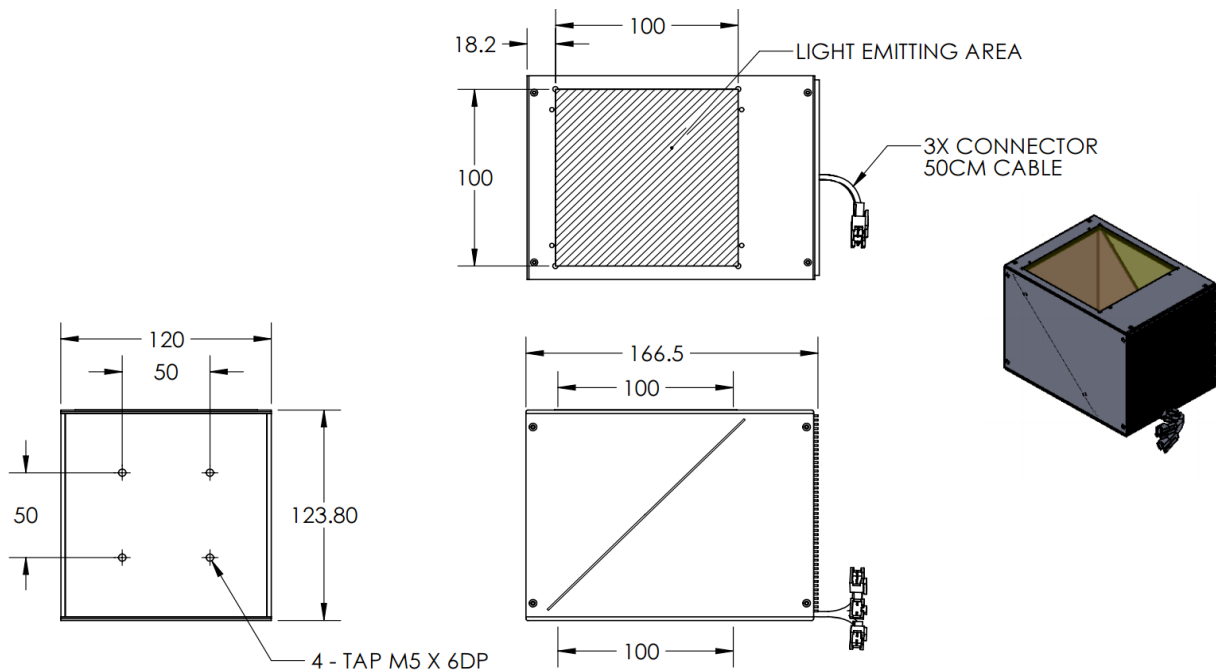




ILLUMINATOR DATA-ID

CAS2-00-100-X-RGB-24V

Lighting Dimension




| Mechanical Information | |
|---------------------------|--------------------------------|
| Casing Material | Aluminium |
| Storage Temperature Range | Temp 0 - 45°C, Humidity 20-85% |
| Weight | 1310 g |
| Length / Outer Diameter | 123.8 mm |
| Width / Inner Diameter | 120 mm |
| Thickness / Height | 166.5 mm |



ILLUMINATOR DATA-ID

CAS2-00-100-X-RGB-24V

| Optical Information | | CAS2-00-100-X-RGB-24V | | | | | | | | |
|--|--------|---|--------|-----|--------|-------------|-----|------|------|-----|
| Part Number | | CAS2-00-100-X-RGB-24V | | | | | | | | |
| LED Color | | RED | | | GREEN | | | BLUE | | |
| Wavelength | (nm) | 630 | | | 525 | | | 470 | | |
| Intensity (±15%) | (Lux) | TBA | TBA | TBA | TBA | TBA | TBA | TBA | TBA | TBA |
| Working Distance | (mm) | 20 | 30 | 40 | 20 | 30 | 40 | 20 | 30 | 40 |
| Illumination (number of row) | | X | | | | | | | | |
| Illumination Active Area | | | | | | | | | | |
| Active Length / Outer Diameter | (mm) | 100 | | | | | | | | |
| Active Width / Inner Diameter | (mm) | 100 | | | | | | | | |
| Emission angle | (deg.) | 0 | | | | | | | | |
| Eye Safety Class (IEC62471) | | EXEMPT | | | EXEMPT | | | II | | |
| Electrical Information | | | | | | | | | | |
| Lighting Supply Voltage (constant voltage mode) | | 24V ± 2% | | | | | | | | |
| Continuous Current | (mA) | RED | 360 | | GREEN | 320 | | BLUE | 320 | |
| Power Consumption | (W) | | 8.64 | | | 7.68 | | | 7.68 | |
| Lighting casing temperature, Operating after 60 minutes | °C | | 51.5 | | | 51.5 | | | 51.5 | |
| Max. continuous current of RED, GREEN & BLUE LEDs on at the same time | (mA) | RED, GREEN & BLUE LEDs on at the same time are not recommended | | | | | | | | |
| Strobe Mode Specification | | | | | | | | | | |
| Pulse Operation | | YES | | | | | | | | |
| Max. Lighting Supply Voltage (Constant voltage power supply) | (V) | Pulsing at 24VDC to 48VDC, 0-10% Duty Cycle, Recommended at 36VDC | | | | | | | | |
| Pulse Current, (Max. 10msec) (Constant current power supply) | (mA) | RED | 1080 | | GREEN | 960 | | BLUE | 960 | |
| Max. pulse current of RED, GREEN & BLUE LEDs on at the same time | (V) | RED, GREEN & BLUE LEDs on at the same time are not recommended | | | | | | | | |
| Max. Trigger Pulse Duration | (msec) | 10 | | | | | | | | |
| Duty Cycle | | 0-10% | | | | | | | | |
| Additional Information | | | | | | | | | | |
| Additional Cooling Method | | Attached to machine part for better heat dissipation | | | | | | | | |
| Intensity Controller Selection | | ANG, ST, SD and SDA Series | | | | | | | | |
| CE Conformity | | YES | | | | | | | | |
| RoHS Compliance | | YES | | | | | | | | |
| Connection | | | | | | | | | | |
| Connector Type (Default): | | JST SMR-03V | | | | | | | | |
| Cable Length out from lighting : | (mm) | 500 | | | | | | | | |
| Pin Configuration : | | Pin | Signal | | | Cable Color | | | | |
| | | 1 | LED + | | | RED | | | | |
| | | 2 | N.C. | | | --- | | | | |
| | | 3 | LED - | | | WHITE | | | | |
|  | | | | | | | | | | |
| Application | | | | | | | | | | |
| Illumination Type | | Direct Illumination | | | | | | | | |
| Application Use | | General illumination, label inspection, character inspection, code recognition. | | | | | | | | |



VISION CONSULTANCY
MAKING THE UNSEEN VISIBLE

Thank you for downloading this document from
www.machine-vision-shop.com

If you have any questions, you need help composing the
right package for your application or do you want to order?

Feel free to contact us via e-mail at sales@vision-consultancy.nl or visit our webshop.

Our vision experts are happy to help you.



Natascha Overhof



Christian Cromptvoets



VISION CONSULTANCY

Robert Schumandomein 2
6229 ES Maastricht
The Netherlands

+31 (0) 438 522 651

sales@vision-consultancy.nl
www.machine-vision-shop.com

Scan me to visit
[machine-vision-shop](http://machine-vision-shop.com)

