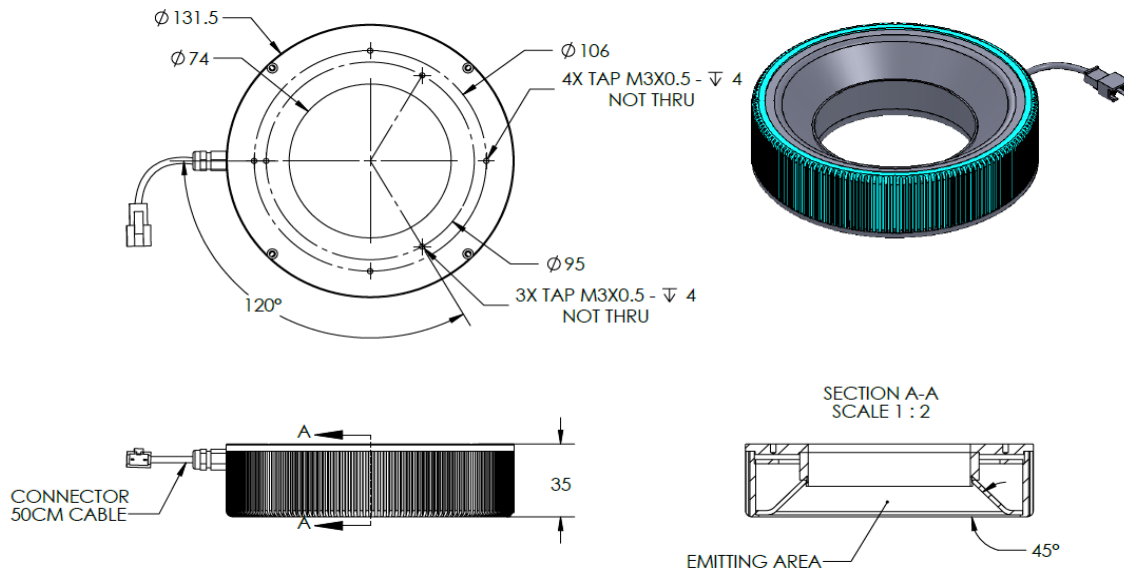




ILLUMINATOR DATA-ID

DLR3-45-130-1-R-24V

Lighting Dimension




Mechanical Information	
Casing Material	Aluminium
Storage Temperature Range	Temp 0-45°C, Humidity 20-85%
Weight	280 g
Length / Outer Diameter	131.5 mm
Width / Inner Diameter	74 mm
Thickness / Height	35 mm



ILLUMINATOR DATA-ID

DLR3-45-130-1-R-24V

Optical Information		DLR3-45-130-1-R-24V		
Part Number		DLR3-45-130-1-R-24V		
LED Color		RED		
Wavelength	(nm)	620		
Intensity (±15%)	(Lux)	3919	4018	3848
Working Distance	(mm)	24	35	49
Illumination (number of row)		1		
Illumination Active Area				
Active Length / Outer Diameter	(mm)	119.5		
Active Width / Inner Diameter	(mm)	76		
Emission angle	(deg.)	45		
Eye Safety Class (IEC62471)		EXEMPT		
*CHROMATICITY TABLE				
Electrical Information		DLR3-45-130-1-R-24V		
Lighting Supply Voltage (constant voltage mode)		24V ± 2%		
Continuous Current	(mA)	360		
Power Consumption	(W)	8.6		
Lighting casing temperature, Operating after 60 minutes	°C	53		
Strobe Mode Specification		DLR3-45-130-1-R-24V		
Pulse Operation		YES		
Max. Lighting Supply Voltage (Constant voltage power supply)	(V)	Pulsing at 24VDC to 48VDC, 0-10% Duty Cycle Recommended at 36VDC		
Pulse Current, (Max. 10msec) (Constant current power supply)	(mA)	1080		
Max. Trigger Pulse Duration	(msec)	10		
Duty Cycle		0-10%		
Additional Information		DLR3-45-130-1-R-24V		
Additional Cooling Method		Attached to machine part for better heat dissipation		
Intensity Controller Selection		ANG, ST, SD and SDA Series		
CE Conformity		YES		
RoHS Compliance		YES		
Connection		DLR3-45-130-1-R-24V		
Connector Type (Default):		JST SMR-03V		
Cable Length out from lighting :	(mm)	500		
Pin Configuration :		Pin	Signal	Cable Color
		1	LED +	RED
		2	N.C.	---
		3	LED -	WHITE
				
Application		DLR3-45-130-1-R-24V		
Illumination Type		Diffused Illumination		
Appicattion Use		Character recognition on shining surface, lead inspection		



VISION CONSULTANCY
MAKING THE UNSEEN VISIBLE

Thank you for downloading this document from
www.machine-vision-shop.com

If you have any questions, you need help composing the
right package for your application or do you want to order?

Feel free to contact us via e-mail at sales@vision-consultancy.nl or visit our webshop.

Our vision experts are happy to help you.



Natascha Overhof



Christian Cromptvoets



VISION CONSULTANCY

Robert Schumandomein 2
6229 ES Maastricht
The Netherlands

+31 (0) 438 522 651

sales@vision-consultancy.nl
www.machine-vision-shop.com

Scan me to visit
[machine-vision-shop](http://machine-vision-shop.com)

