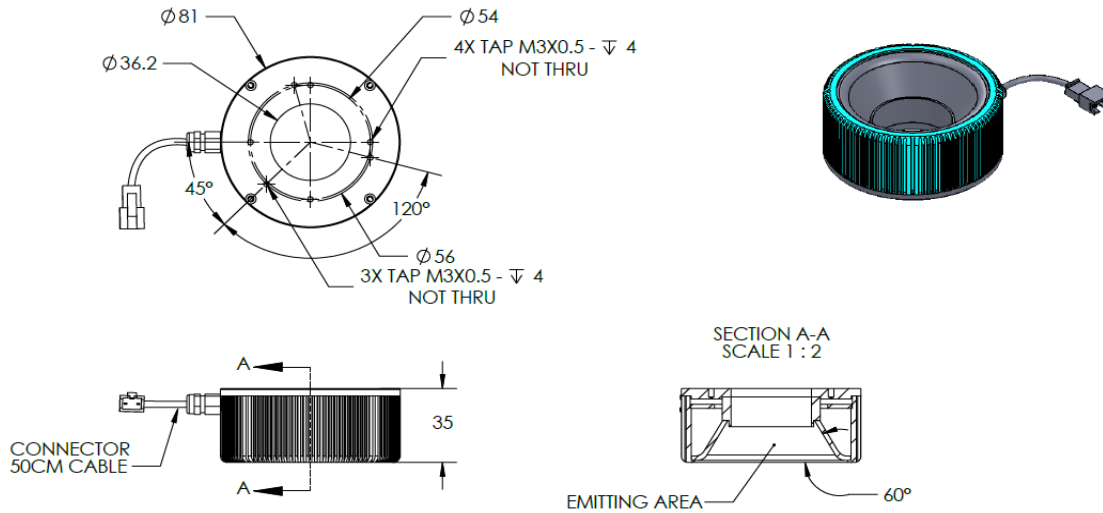




# ILLUMINATOR DATA-ID

## DLR3-60-080-1-G-24V

### Lighting Dimension




Mechanical Information	
Casing Material	Aluminium
Storage Temperature Range	Temp 0-45°C, Humidity 20-85%
Weight	145 g
Length / Outer Diameter	81 mm
Width / Inner Diameter	36.2 mm
Thickness / Height	35 mm



# ILLUMINATOR DATA-ID

## DLR3-60-080-1-G-24V

Optical Information			
Part Number		DLR3-60-080-1-G-24V	
LED Color		GREEN	
Wavelength	(nm)	525	
Intensity (±15%)	(Lux)	TBA	TBA
Working Distance	(mm)	5	13
Illumination (number of row)		1	
Illumination Active Area			
Active Length / Outer Diameter	(mm)	69	
Active Width / Inner Diameter	(mm)	38.2	
Emission angle	(deg.)	60	
Eye Safety Class ( IEC62471 )		EXEMPT	
Electrical Information			
Lighting Supply Voltage (constant voltage mode)		24V ± 2%	
Continuous Current	(mA)	180	
Power Consumption	(W)	4.32	
Lighting casing temperature, Operating after 60 minutes	°C	51	
Strobe Mode Specification			
Pulse Operation		YES	
Max. Lighting Supply Voltage (Constant voltage power supply)	(V)	Pulsing at 24VDC to 48VDC, 0-10% Duty Cycle Recommended at 36VDC	
Pulse Current, (Max. 10msec) (Constant current power supply)	(mA)	540	
Max. Trigger Pulse Duration	(msec)	10	
Duty Cycle		0-10%	
Additional Information			
Additional Cooling Method		Attached to machine part for better heat dissipation	
Intensity Controller Selection		ANG, ST, SD and SDA Series	
CE Conformity		YES	
RoHS Compliance		YES	
Connection			
Connector Type (Default):		JST SMR-03V	
Cable Length out from lighting :	(mm)	500	
Pin Configuration :		Pin	Signal
		1	LED +
		2	N.C.
		3	LED -
			Cable Color
			RED
			---
			WHITE
			
Application			
Illumination Type		Diffused Illumination	
Appicattion Use		Character recognition on shining surface, lead inspection	

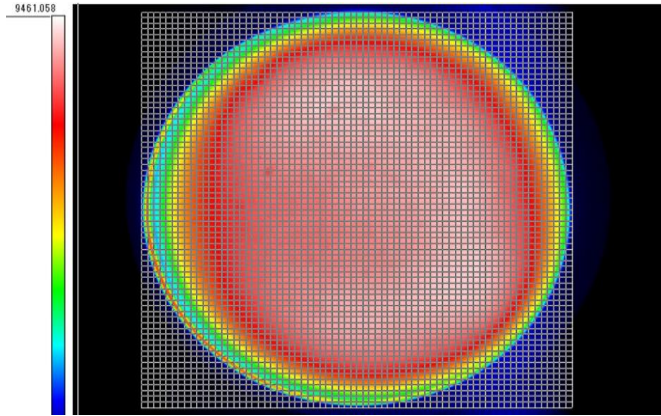


# ILLUMINATOR DATA-ID

## DLR3-60-080-1-G-24V

Uniform Graph ( Relative Irradiation Strength) - Representative pattern

WD	Tolerance	Diameter
5mm	10%	16mm
5mm	20%	36mm
5mm	30%	43mm





**VISION CONSULTANCY**  
MAKING THE UNSEEN VISIBLE

Thank you for downloading this document from  
[www.machine-vision-shop.com](http://www.machine-vision-shop.com)

If you have any questions, you need help composing the  
right package for your application or do you want to order?

Feel free to contact us via e-mail at [sales@vision-consultancy.nl](mailto:sales@vision-consultancy.nl) or visit our webshop.

Our vision experts are happy to help you.



Natascha Overhof



Christian Cromptvoets



**VISION CONSULTANCY**

Robert Schumandomein 2  
6229 ES Maastricht  
The Netherlands

+31 (0) 438 522 651

[sales@vision-consultancy.nl](mailto:sales@vision-consultancy.nl)  
[www.machine-vision-shop.com](http://www.machine-vision-shop.com)

Scan me to visit  
[machine-vision-shop](http://machine-vision-shop.com)

