

ID Datasheet

HDLBQ-00-130-1-B-24V

Product Image



High Power Multiple Tube Bar Light

Highlight:

HDLBQ series is a combination of 4 HDLB LED arrays. Each array can be adjusted for different height application.

HDLBQ-00-130-1-B-24V

Mechanical Information			
Casing Material	Aluminium		
Storage Temperature Range	0 - 45°C		
Storage Humidity Range	20 - 85%		
Weight	587g		
Width / Inner Diameter	136.5mm		
Length / Outer Diameter	194.5mm		
Height / Thickness	34.2mm		
Lighting Information			
LED Color	BLUE		
LED Wavelength	<p>465 nm - 485nm</p>		
Lighting Wavelength			
Color Rendering Index (CRI)	R80		
Working Distance	200mm	220mm	250mm
Intensity (15%)	-lx	-lx	-lx
Rows of LED	1		
Illumination Active Area	Active Outer Diameter	194.5	
	Active Inner Diameter	136.5	
Emission Angle	0°		
Eye Safety Class (IEC62471)	EXEMPT		
	Products with sources, which do not pose any potential photobiological hazard even for the continuous and unrestricted exposure. Example: 8 hours of exposure poses no acute hazard to either eye or skin, and 10,000 seconds (2.8 hours) of the intent starting causes no blue light retinal hazard.		
Lighting Pattern			
Working Distance			
Display & Image			

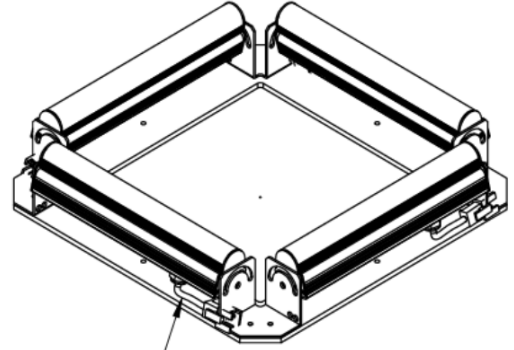
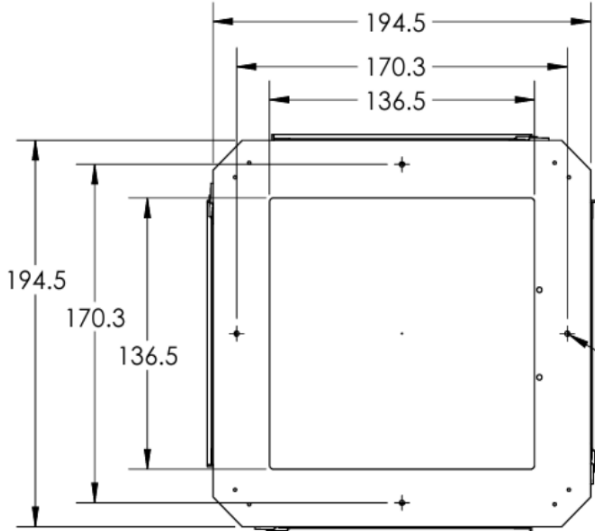
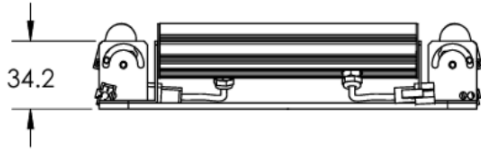


HDLBQ-00-130-1-B-24V

Accessories
Available Controllers
Analog Controller
N/A
Digital Controller
N/A

HDLBQ-00-130-1-B-24V

Lighting Dimensions



4X 24V CONNECTOR & 50CM CABLE

4 - TAP M3 N.S

