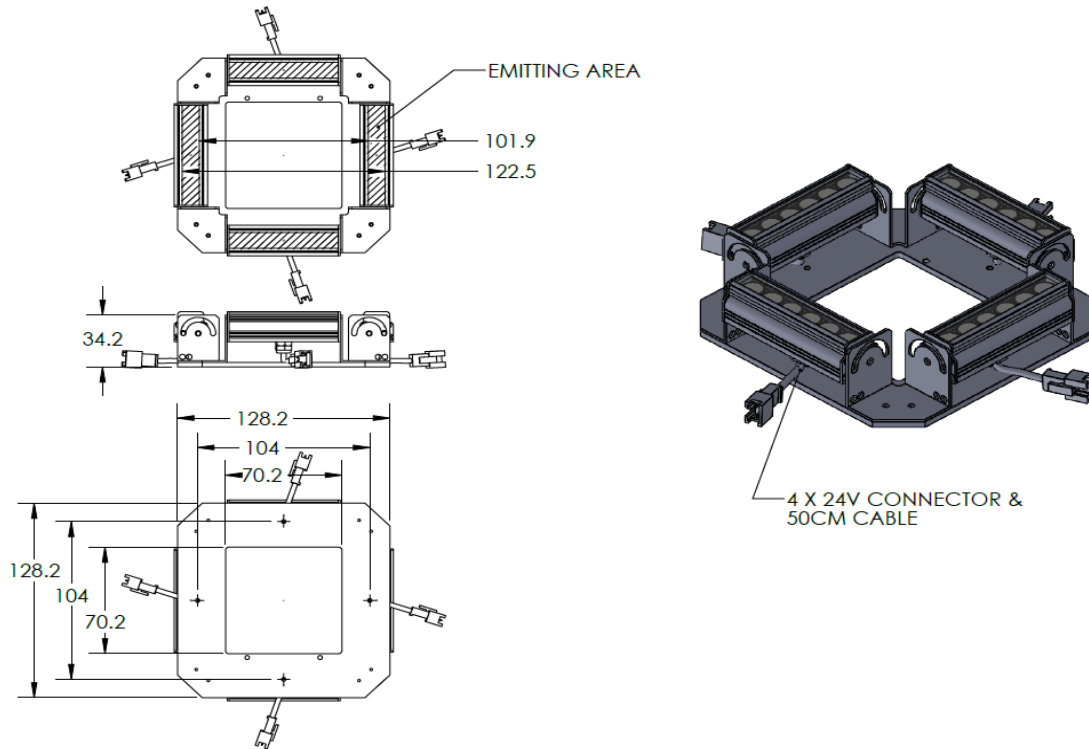




# ILLUMINATOR DATA (ID)

## HLBQ2-00-065-1-G-24V

### Lighting Dimension




Mechanical Information	
Casing Material	Aluminium
Storage Temperature Range	Temp 0-45°C, Humidity 20-85%
Weight	386 g
Length / Outer Diameter	128.2 mm
Width / Inner Diameter	128.2 mm
Thickness / Height	34.2 mm



# ILLUMINATOR DATA (ID)

## HLBQ2-00-065-1-G-24V

Optical Information											
Part Number	HLBQ2-00-065-1-G-24V										
LED Color	GREEN										
Wavelength	(nm)	525									
Intensity (±15)	(Lux)	TBA	TBA	TBA	TBA						
Working Distance	(mm)	200	220	250							
Illumination (number of row)	1										
Illumination Active Area											
Active Length / Outer Dia.	(mm)	122.5									
Active Width / Inner Dia.	(mm)	122.5									
Emission angle	(deg.)	0									
Eye Safety Class ( IEC62471 )	EXEMPT										
*CHROMATICITY TABLE											
		X	0.296	0.287	0.307	0.311	X	0.311	0.307	0.33	0.33
		Y	0.276	0.295	0.315	0.294	Y	0.294	0.315	0.339	0.318
Electrical Information											
Lighting Supply Voltage (constant voltage mode)	24V ± 2%										
Continuous Current	(mA)	600									
Power Consumption	(W)	14.4									
Lighting casing temperature, Operating after 60 minutes	°C	TBA									
Strobe Mode Specification											
Pulse Operation	YES										
Max. Lighting Supply Voltage (Constant voltage power supply)	(V)	Pulsing at 24VDC to 48VDC, 0-10% Duty Cycle Recommended at 36VDC									
Pulse Current, (Max. 10msec) (Constant current power supply)	(mA)	1800									
Max. Trigger Pulse Duration	(msec)	10									
Duty Cycle	0-10%										
Additional Information											
Additional Cooling Method	Attached to machine part for better heat dissipation										
Intensity Controller Selection	ANGX, SD, ST & SDA Series										
CE Conformity	YES										
RoHS Compliance	YES										
Connection											
Connector Type (Default):	JST SMR-03V										
Cable Length out from lighting :	(mm)	500									
Pin Configuration :		Pin	Signal	Cable Color							
		1	LED +	RED							
		2	N.C.	---							
		3	LED -	WHITE							
											
Application											
Illumination Type	Direct Illumination										
Application Use	Label Inspection, Character Inspection, Code Recognition										



**VISION CONSULTANCY**  
MAKING THE UNSEEN VISIBLE

Thank you for downloading this document from  
[www.machine-vision-shop.com](http://www.machine-vision-shop.com)

If you have any questions, you need help composing the  
right package for your application or do you want to order?

Feel free to contact us via e-mail at [sales@vision-consultancy.nl](mailto:sales@vision-consultancy.nl) or visit our webshop.

Our vision experts are happy to help you.



Natascha Overhof



Christian Cromptvoets



**VISION CONSULTANCY**

Robert Schumandomein 2  
6229 ES Maastricht  
The Netherlands

+31 (0) 438 522 651

[sales@vision-consultancy.nl](mailto:sales@vision-consultancy.nl)  
[www.machine-vision-shop.com](http://www.machine-vision-shop.com)

Scan me to visit  
[machine-vision-shop](http://machine-vision-shop.com)

