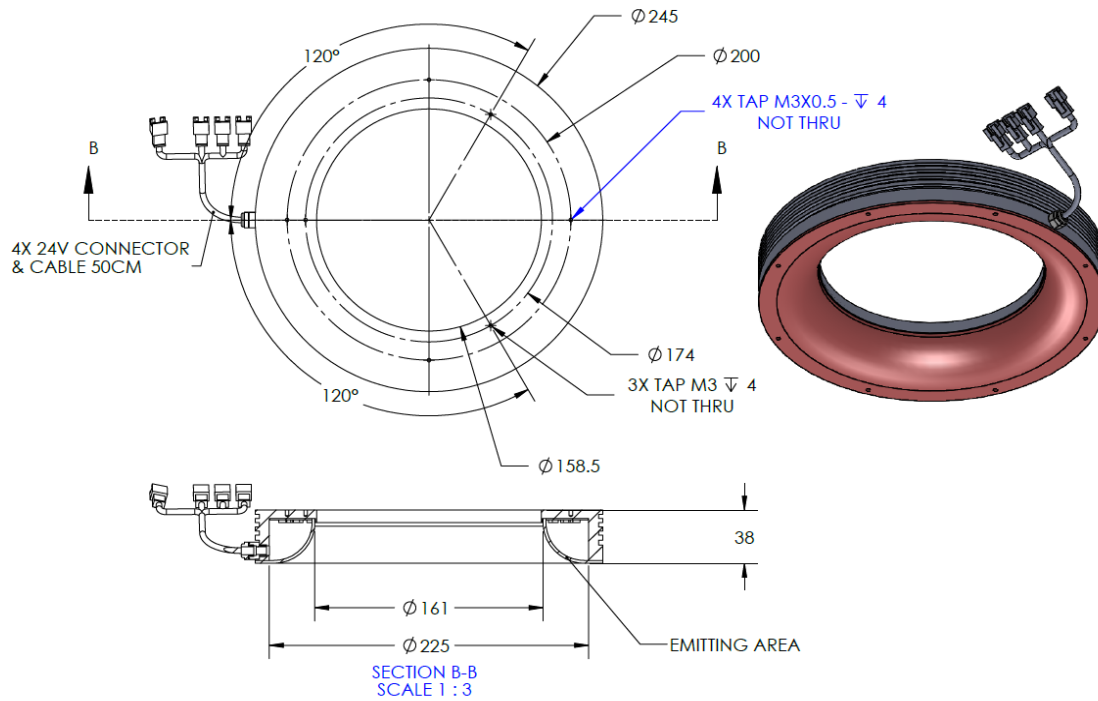




ILLUMINATOR DATA (ID)

HPD-00-240-1-RGBW-24V

Lighting Dimension




Mechanical Information	
Casing Material	Aluminium
Storage Temperature Range	Temp 0-45°C, Humidity 20-85%
Weight	1180 g
Length / Outer Diameter	245 mm
Width / Inner Diameter	158.5 mm
Thickness / Height	38 mm



ILLUMINATOR DATA (ID)

HPD-00-240-1-RGBW-24V

Optical Information																																
Part Number	HPD-00-240-1-RGBW-24V																															
LED Color	RED			GREEN			BLUE			WHITE																						
Wavelength	(nm)	630		525			470			Refer to the chromaticity table																						
Intensity (±15)	(Lux)	2530	2100	2040	4950	5080	6310	7110	7010	6250	4730	4580	4150																			
Working Distance	(mm)	54	64	74	54	64	74	54	64	74	54	64	74																			
Illumination (number of row)		1																														
Illumination Active Area																																
Active Length / Outer Dia.	(mm)	225																														
Active Width / Inner Dia.	(mm)	158.5																														
Emission angle	(deg.)	0																														
Eye Safety Class (IEC62471)		EXEMPT			EXEMPT			II			EXEMPT																					
*CHROMATICITY TABLE																																
<table border="1" style="width: 100%; text-align: center;"> <tr> <td>X</td><td>0.296</td><td>0.287</td><td>0.307</td><td>0.311</td> <td>X</td><td>0.311</td><td>0.307</td><td>0.33</td><td>0.33</td> </tr> <tr> <td>Y</td><td>0.276</td><td>0.295</td><td>0.315</td><td>0.294</td> <td>Y</td><td>0.294</td><td>0.315</td><td>0.339</td><td>0.318</td> </tr> </table>													X	0.296	0.287	0.307	0.311	X	0.311	0.307	0.33	0.33	Y	0.276	0.295	0.315	0.294	Y	0.294	0.315	0.339	0.318
X	0.296	0.287	0.307	0.311	X	0.311	0.307	0.33	0.33																							
Y	0.276	0.295	0.315	0.294	Y	0.294	0.315	0.339	0.318																							
Electrical Information																																
Lighting Supply Voltage (constant voltage mode)		24V ± 2%																														
Continuous Current	(mA)	480																														
Power Consumption	(W)	11.52																														
Lighting casing temperature, Operating after 60 minutes	°C	49.2																														
Strobe Mode Specification																																
Pulse Operation		YES																														
Max. Lighting Supply Voltage (Constant voltage power supply)	(V)	Pulsing at 24VDC to 48VDC, 0-10% Duty Cycle Recommended at 36VDC																														
Pulse Current, (Max. 10msec) (Constant current power supply)	(mA)	1440																														
Max. Trigger Pulse Duration	(msec)	10																														
Duty Cycle		0-10%																														
Additional Information																																
Additional Cooling Method		Attached to machine part for better heat dissipation																														
Intensity Controller Selection		ANG, ST, SD and SDA Series																														
CE Conformity		YES																														
RoHS Compliance		YES																														
Connection																																
Connector Type (Default):		JST SMR-03V																														
Cable Length out from lighting :	(mm)	500																														
Pin Configuration :		Pin	Signal					Cable Color																								
		1	LED +					RED																								
		2	N.C.					---																								
		3	LED -					WHITE																								
																																
Application																																
Illumination Type		Indirect Illumination																														
Application Use		Shining surface and food packaging																														



VISION CONSULTANCY
MAKING THE UNSEEN VISIBLE

Thank you for downloading this document from
www.machine-vision-shop.com

If you have any questions, you need help composing the
right package for your application or do you want to order?

Feel free to contact us via e-mail at sales@vision-consultancy.nl or visit our webshop.

Our vision experts are happy to help you.



Natascha Overhof



Christian Cromptvoets



VISION CONSULTANCY

Robert Schumandomein 2
6229 ES Maastricht
The Netherlands

+31 (0) 438 522 651

sales@vision-consultancy.nl
www.machine-vision-shop.com

Scan me to visit
[machine-vision-shop](http://machine-vision-shop.com)

