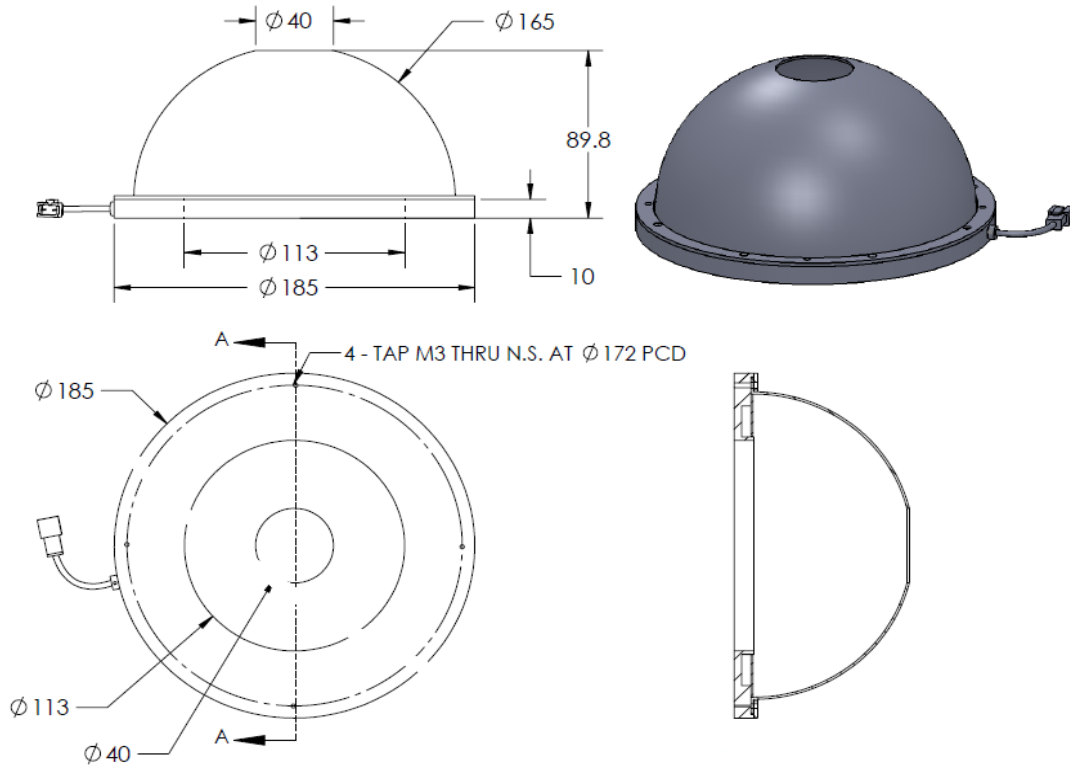




ILLUMINATOR DATA

IDS4-00-150-1-RGB-24V


Lighting Dimension



| Mechanical Information | |
|---------------------------|------------------------------|
| Casing Material | Aluminium |
| Storage Temperature Range | Temp 0-45°C, Humidity 20-85% |
| Weight | 780 g |
| Outer Diameter | 185 mm |
| Inner Diameter | 40 mm |
| Thickness | 89.8 mm |



IDS4-00-150-1-RGB-24V

| Optical Information | | | | | | | | | |
|---|---|--------|--------|--------|-------------|--------|------|------|--------|
| Part Number | IDS4-00-150-1-RGB-24V | | | | | | | | |
| LED Color | RED | | | GREEN | | | BLUE | | |
| Wavelength (nm) | 630 | | | 525 | | | 470 | | |
| Intensity (Lux) | 5282.4 | 4373.6 | 3152.4 | 7568.6 | 6177 | 4487.2 | 9088 | 7597 | 5367.6 |
| Working Distance (mm) | 50 | 80 | 100 | 50 | 80 | 100 | 50 | 80 | 100 |
| Illumination (number of row) | 3 | | | | | | | | |
| Illumination Active Area | | | | | | | | | |
| Active Outer Diameter (mm) | 113 | | | | | | | | |
| Active Inner Diameter (mm) | 40 | | | | | | | | |
| Emission angle (deg.) | 0 | | | | | | | | |
| Eye Safety Class | EXEMPT | | | EXEMPT | | | II | | |
| Electrical Information | | | | | | | | | |
| Lighting Supply Voltage (constant voltage mode) | 24V ± 2% | | | | | | | | |
| Continuous Current (mA) | 300 | | | 280 | | | 280 | | |
| Power Consumption (W) | 7.2 | | | 6.72 | | | 6.72 | | |
| Lighting casing temperature, Operating after 60 minutes (°C) | 44.7 | | | 38.6 | | | 43.8 | | |
| Max. continuous current of RED, GREEN & BLUE LEDs on at a same time (mA) | RED, GREEN & BLUE LEDs on at a same time are not recommended | | | | | | | | |
| Strobe Mode Specification | | | | | | | | | |
| Pulse Operation | YES | | | | | | | | |
| Max. Lighting Supply Voltage (Constant voltage power supply) (V) | Pulsing at 24VDC to 48VDC, 0-10% Duty Cycle Recommended at 36VDC | | | | | | | | |
| Pulse Current, (Max. 10msec) (Constant current power supply) (mA) | RED | 900 | GREEN | 840 | BLUE | 840 | | | |
| Max. pulse current of RED, GREEN & BLUE LEDs on at a same time (mA) | RED, GREEN & BLUE LEDs on at a same time are not recommended | | | | | | | | |
| Max. Trigger Pulse Duration (msec) | 10 | | | | | | | | |
| Duty Cycle | 0-10% | | | | | | | | |
| Additional Information | | | | | | | | | |
| Additional Cooling Method | Attached to machine part for better heat dissipation | | | | | | | | |
| Life span in continuous mode | 20,000 hours (drop to 50% intensity) at 25°C | | | | | | | | |
| Life span in strobe mode | Est. >50,000 hours (drop to 50% intensity) at 25°C | | | | | | | | |
| Intensity Controller Selection | ANG-Series, LC-Series, STB-Series | | | | | | | | |
| CE Conformity | YES | | | | | | | | |
| RoHS Compliance | YES | | | | | | | | |
| Connection | | | | | | | | | |
| Connector Type (Default): | JST SMR-03V | | | | | | | | |
| Cable Length out from lighting : (mm) | 500 | | | | | | | | |
| Pin Configuration : | Pin | Signal | | | Cable Color | | | | |
| | 1 | LED + | | | RED | | | | |
| | 2 | N.C. | | | --- | | | | |
| | 3 | LED - | | | WHITE | | | | |
|  | | | | | | | | | |
| Application | | | | | | | | | |
| Optimal Working Distance (mm) | 50-100 | | | | | | | | |



VISION CONSULTANCY
MAKING THE UNSEEN VISIBLE

Thank you for downloading this document from
www.machine-vision-shop.com

If you have any questions, you need help composing the
right package for your application or do you want to order?

Feel free to contact us via e-mail at sales@vision-consultancy.nl or visit our webshop.

Our vision experts are happy to help you.



Natascha Overhof



Christian Cromptvoets



VISION CONSULTANCY

Robert Schumandomein 2
6229 ES Maastricht
The Netherlands

+31 (0) 438 522 651

sales@vision-consultancy.nl
www.machine-vision-shop.com

Scan me to visit
[machine-vision-shop](http://machine-vision-shop.com)

