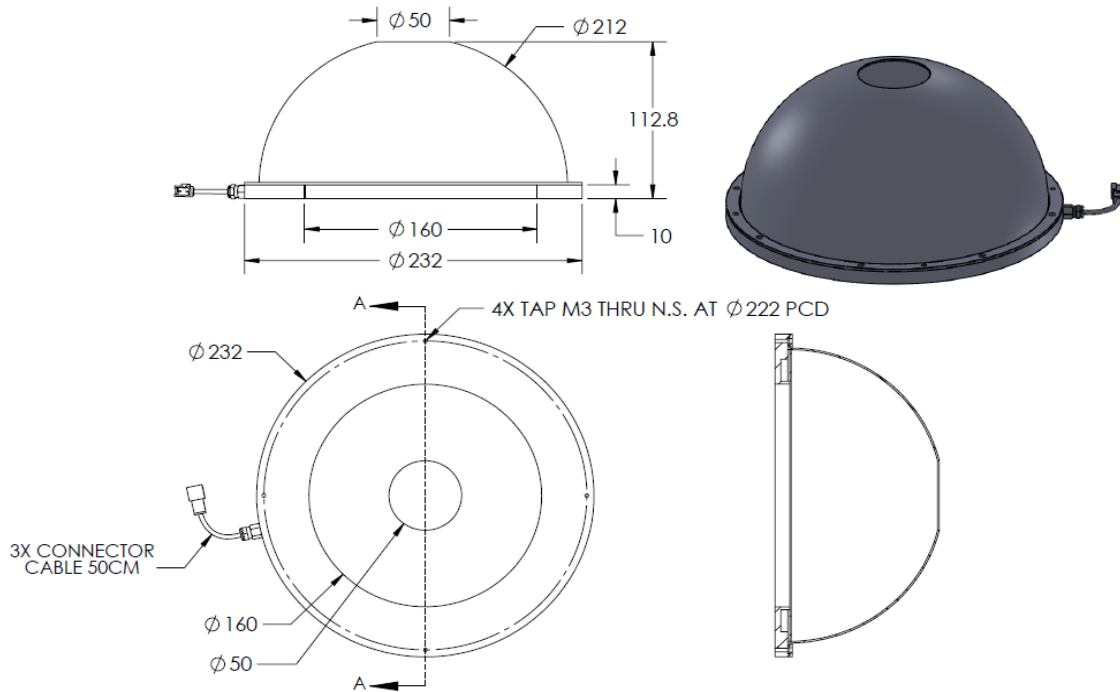




ILLUMINATOR DATA

IDS4-00-200-1-RGB-24V


Lighting Dimension



Mechanical Information	
Casing Material	Aluminium
Storage Temperature Range	Temp 0-45°C, Humidity 20-85%
Weight	780 g
Outer Diameter	232 mm
Inner Diameter	50 mm
Thickness	112.8 mm



IDS4-00-200-1-RGB-24V

Optical Information									
Part Number	IDS4-00-200-1-RGB-24V								
LED Color	RED			GREEN			BLUE		
Wavelength (nm)	630			525			470		
Intensity (Lux)	2896.8	1959.6	1533.6	6177	3280.2	2570.2	4913.2	4160.6	3237.6
Working Distance (mm)	50	80	100	50	80	100	50	80	100
Illumination (number of row)	3								
Illumination Active Area									
Active Outer Diameter (mm)	212								
Active Inner Diameter (mm)	50								
Emission angle (deg.)	0								
Eye Safety Class	EXEMPT			EXEMPT			II		
Electrical Information									
Lighting Supply Voltage (constant voltage mode)	24V ± 2%								
Continuous Current (mA)	280			280			280		
Power Consumption (W)	6.72			6.72			6.72		
Lighting casing temperature, Operating after 60 minutes (°C)	39.4			36.9			43.7		
Max. continuous current of RED, GREEN & BLUE LEDs on at a same time (mA)	RED, GREEN & BLUE LEDs on at a same time are not recommended								
Strobe Mode Specification									
Pulse Operation	YES								
Max. Lighting Supply Voltage (Constant voltage power supply) (V)	Pulsing at 24VDC to 48VDC, 0-10% Duty Cycle Recommended at 36VDC								
Pulse Current, (Max. 10msec) (Constant current power supply) (mA)	RED	840	GREEN	840	BLUE	840			
Max. pulse current of RED, GREEN & BLUE LEDs on at a same time (mA)	RED, GREEN & BLUE LEDs on at a same time are not recommended								
Max. Trigger Pulse Duration (msec)	10								
Duty Cycle	0-10%								
Additional Information									
Additional Cooling Method	Attached to machine part for better heat dissipation								
Life span in continuous mode	20,000 hours (drop to 50% intensity) at 25°C								
Life span in strobe mode	Est. >50,000 hours (drop to 50% intensity) at 25°C								
Intensity Controller Selection	ANG-Series, LC-Series, STB-Series								
CE Conformity	YES								
RoHS Compliance	YES								
Connection									
Connector Type (Default):	JST SMR-03V								
Cable Length out from lighting : (mm)	500								
Pin Configuration :	Pin	Signal			Cable Color				
	1	LED +			RED				
	2	N.C.			---				
	3	LED -			WHITE				
									
Application									
Optimal Working Distance (mm)	50-100								



VISION CONSULTANCY
MAKING THE UNSEEN VISIBLE

Thank you for downloading this document from
www.machine-vision-shop.com

If you have any questions, you need help composing the
right package for your application or do you want to order?

Feel free to contact us via e-mail at sales@vision-consultancy.nl or visit our webshop.

Our vision experts are happy to help you.



Natascha Overhof



Christian Cromptoets



VISION CONSULTANCY

Robert Schumandomein 2
6229 ES Maastricht
The Netherlands

+31 (0) 438 522 651

sales@vision-consultancy.nl
www.machine-vision-shop.com

Scan me to visit
[machine-vision-shop](http://machine-vision-shop.com)

