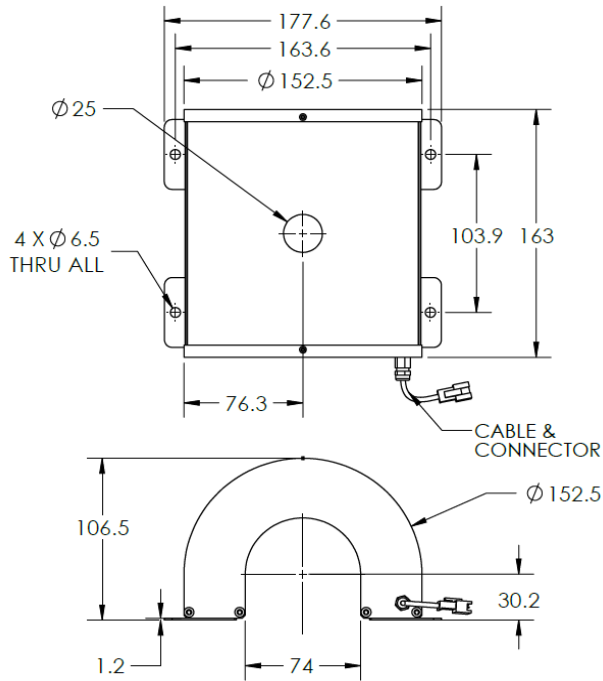




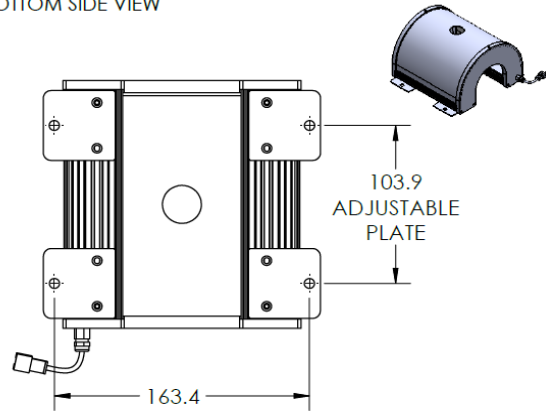
# ILLUMINATOR DATA-ID

## IDT3-00-150-1-R-24V

### Lighting Dimension



BOTTOM SIDE VIEW




| Mechanical Information    |                              |
|---------------------------|------------------------------|
| Casing Material           | Aluminium                    |
| Storage Temperature Range | Temp 0-45°C, Humidity 20-85% |
| Weight                    | 532 g                        |
| Length / Outer Diameter   | 163 mm                       |
| Width / Inner Diameter    | 177.6 mm                     |
| Thickness / Height        | 106.5 mm                     |



# ILLUMINATOR DATA-ID

## IDT3-00-150-1-R-24V

| Optical Information  |        | IDT3-00-150-1-R-24V   |        |             |
|--|--------|---|--------|-------------|
| Part Number  |        | IDT3-00-150-1-R-24V   |        |             |
| LED Color  |        | RED   |        |             |
| Wavelength   | (nm)   | 630   |        |             |
| Intensity (±15%)   | (Lux)  | TBA   | TBA    | TBA         |
| Working Distance   | (mm)   | 40  | 50     | 60          |
| Illumination (number of row)   |        | 6   |        |             |
| Illumination Active Area   |        |   |        |             |
| Active Length / Outer Diameter   | (mm)   | 147   |        |             |
| Active Width / Inner Diameter  | (mm)   | 76  |        |             |
| Emission angle   | (deg.) | 0   |        |             |
| Eye Safety Class ( IEC62471 )  |        | EXEMPT  |        |             |
| Electrical Information   |        |   |        |             |
| Lighting Supply Voltage (constant voltage mode)                                      |        | 24V ± 2%  |        |             |
| Continuous Current   | (mA)   | 450   |        |             |
| Power Consumption  | (W)    | 10.8  |        |             |
| Lighting casing temperature, Operating after 60 minutes                              | °C     | TBA   |        |             |
| Strobe Mode Specification  |        |   |        |             |
| Pulse Operation  |        | YES   |        |             |
| Max. Lighting Supply Voltage (Constant voltage power supply)                         | (V)    | Pulsing at 24VDC to 48VDC, 0-10% Duty Cycle<br>Recommended at 36VDC |        |             |
| Pulse Current, (Max. 10msec) (Constant current power supply)                         | (mA)   | 1350  |        |             |
| Max. Trigger Pulse Duration  | (msec) | 10  |        |             |
| Duty Cycle   |        | 0-10%   |        |             |
| Additional Information   |        |   |        |             |
| Additional Cooling Method  |        | Attached to machine part for better heat dissipation                |        |             |
| Intensity Controller Selection   |        | ANG, ST, SD and SDA Series  |        |             |
| CE Conformity  |        | YES   |        |             |
| RoHS Compliance  |        | YES   |        |             |
| Connection   |        |   |        |             |
| Connector Type (Default):  |        | JST SMR-03V   |        |             |
| Cable Length out from lighting :   | (mm)   | 500   |        |             |
| Pin Configuration :  |        | Pin   | Signal | Cable Color |
|  |        | 1   | LED +  | RED         |
|  |        | 2   | N.C.   | ---         |
|  |        | 3   | LED -  | WHITE       |
|  |        |   |        |             |
| Application  |        |   |        |             |
| Illumination Type  |        | Indirect Illumination   |        |             |
| Applicattion Use   |        | Crack, chip, stains and mark on cylindrical surface or shafts.      |        |             |



**VISION CONSULTANCY**  
MAKING THE UNSEEN VISIBLE

Thank you for downloading this document from  
[www.machine-vision-shop.com](http://www.machine-vision-shop.com)

If you have any questions, you need help composing the  
right package for your application or do you want to order?

Feel free to contact us via e-mail at [sales@vision-consultancy.nl](mailto:sales@vision-consultancy.nl) or visit our webshop.

Our vision experts are happy to help you.



Natascha Overhof



Christian Cromptoets



**VISION CONSULTANCY**

Robert Schumandomein 2  
6229 ES Maastricht  
The Netherlands

+31 (0) 438 522 651

[sales@vision-consultancy.nl](mailto:sales@vision-consultancy.nl)  
[www.machine-vision-shop.com](http://www.machine-vision-shop.com)

Scan me to visit  
[machine-vision-shop](http://machine-vision-shop.com)

