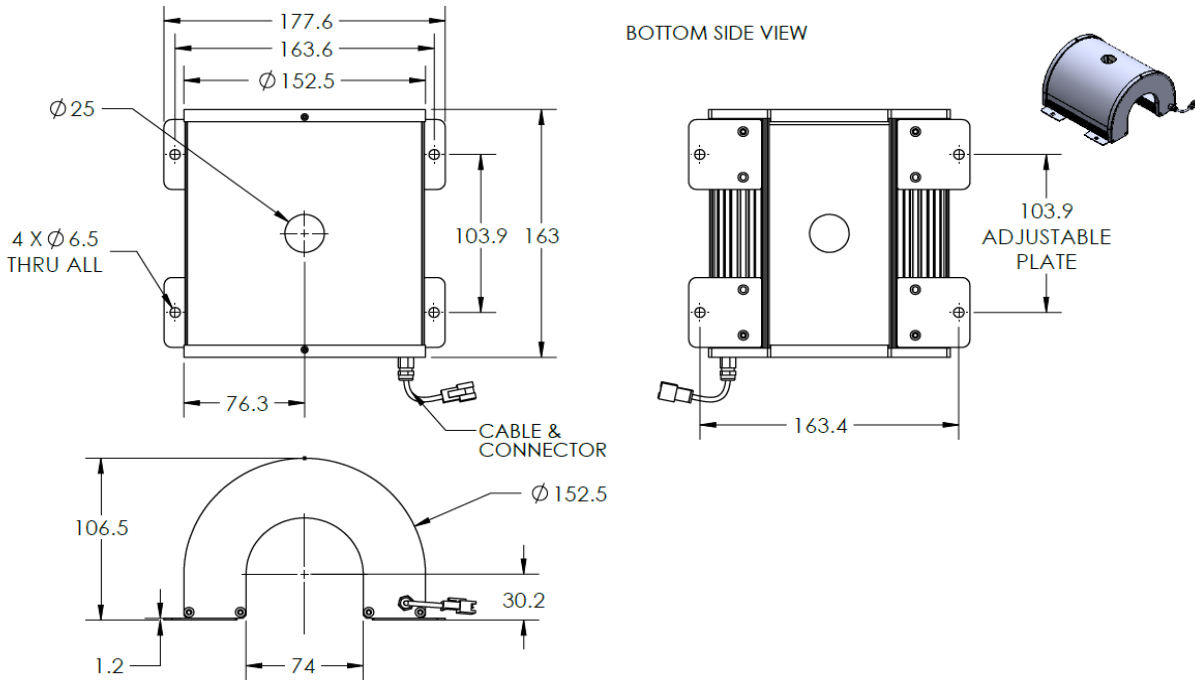




ILLUMINATOR DATA-ID

IDT3-00-150-1-RGB-24V

Lighting Dimension




Mechanical Information	
Casing Material	Aluminium
Storage Temperature Range	Temp 0-45°C, Humidity 20-85%
Weight	532 g
Length / Outer Diameter	163 mm
Width / Inner Diameter	177.6 mm
Thickness / Height	106.5 mm



ILLUMINATOR DATA-ID

IDT3-00-150-1-RGB-24V

Optical Information											
Part Number	IDT3-00-150-1-RGB-24V										
LED Color	RED			GREEN			BLUE				
Wavelength	(nm)	630			525			470			
Intensity (±15%)	(Lux)										
Working Distance	(mm)	40	50	60	40	50	60	40	50	60	
Illumination (number of row)		1									
Illumination Active Area											
Active Length / Outer Diameter	(mm)	147									
Active Width / Inner Diameter	(mm)	76									
Emission angle	(deg.)	0									
Eye Safety Class (IEC62471)		EXEMPT			EXEMPT			II			
Electrical Information											
Lighting Supply Voltage (constant voltage mode)		24V ± 2%									
Continuous Current	(mA)	RED	250			GREEN	200			BLUE	200
Power Consumption	(W)		6				4.8				4.8
Lighting casing temperature, Operating after 60 minutes	°C		51.5				51.5				51.5
Max. continuous current of RED, GREEN & BLUE LEDs on at the same time	(mA)	RED, GREEN & BLUE LEDs on at the same time are not recommended									
Strobe Mode Specification											
Pulse Operation		YES									
Max. Lighting Supply Voltage (Constant voltage power supply)	(V)	Pulsing at 24VDC to 48VDC, 0-10% Duty Cycle, Recommended at 36VDC									
Pulse Current, (Max. 10msec) (Constant current power supply)	(mA)	RED	750			GREEN	600			BLUE	600
Max. pulse current of RED, GREEN & BLUE LEDs on at the same time	(V)	RED, GREEN & BLUE LEDs on at the same time are not recommended									
Max. Trigger Pulse Duration	(msec)	10									
Duty Cycle		0-10%									
Additional Information											
Additional Cooling Method		Attached to machine part for better heat dissipation									
Intensity Controller Selection		ANG, SD, ST & SDA Series									
CE Conformity		YES									
RoHS Compliance		YES									
Connection											
Connector Type (Default):		JST SMR-03V									
Cable Length out from lighting :	(mm)	500									
Pin Configuration :		Pin				Signal				Cable Color	
		1				LED +				RED	
		2				N.C.				---	
		3				LED -				WHITE	
											
Application											
Illumination Type		Indirect Illumination									
Application Use		Crack, chip, stains and mark on cylindrical surface or shafts.									



VISION CONSULTANCY
MAKING THE UNSEEN VISIBLE

Thank you for downloading this document from
www.machine-vision-shop.com

If you have any questions, you need help composing the
right package for your application or do you want to order?

Feel free to contact us via e-mail at sales@vision-consultancy.nl or visit our webshop.

Our vision experts are happy to help you.



Natascha Overhof



Christian Cromptvoets



VISION CONSULTANCY

Robert Schumandomein 2
6229 ES Maastricht
The Netherlands

+31 (0) 438 522 651

sales@vision-consultancy.nl
www.machine-vision-shop.com

Scan me to visit
[machine-vision-shop](http://machine-vision-shop.com)

