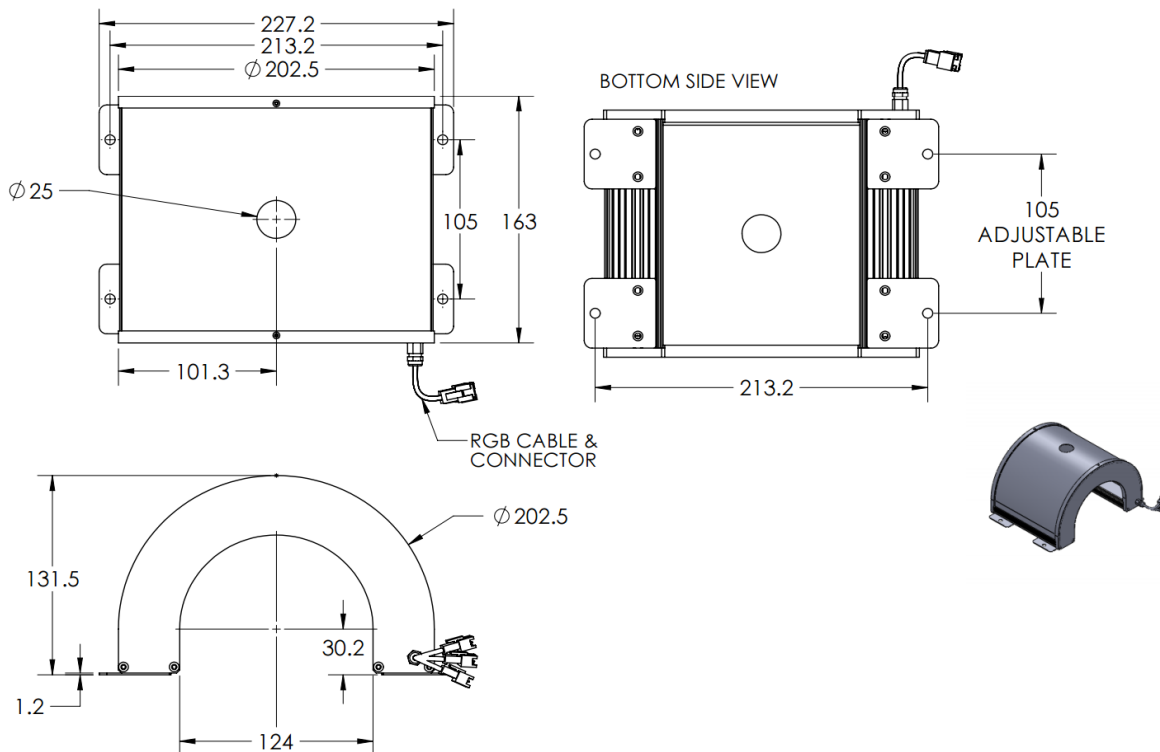




# ILLUMINATOR DATA-ID

## IDT3-00-200-1-RGB-24V

### Lighting Dimension




Mechanical Information	
Casing Material	Aluminium
Storage Temperature Range	Temp 0-45°C, Humidity 20-85%
Weight	967 g
Length / Outer Diameter	163 mm
Width / Inner Diameter	227.2 mm
Thickness / Height	131.5 mm



# ILLUMINATOR DATA-ID

## IDT3-00-200-1-RGB-24V

Optical Information										
Part Number	IDT3-00-200-1-RGB-24V									
LED Color	RED			GREEN			BLUE			
Wavelength	(nm)	630			525			470		
Intensity (±15%)	(Lux)									
Working Distance	(mm)	40	50	60	40	50	60	40	50	60
Illumination (number of row)		1								
Illumination Active Area										
Active Length / Outer Diameter	(mm)	147								
Active Width / Inner Diameter	(mm)	126								
Emission angle	(deg.)	0								
Eye Safety Class ( IEC62471 )		EXEMPT			EXEMPT			II		
Electrical Information										
Lighting Supply Voltage (constant voltage mode)		24V ± 2%								
Continuous Current	(mA)	RED	250		GREEN	200		BLUE	200	
Power Consumption	(W)		6			4.8			4.8	
Lighting casing temperature, Operating after 60 minutes	°C		51.5			51.5			51.5	
Max. continuous current of RED, GREEN & BLUE LEDs on at the same time	(mA)	RED, GREEN & BLUE LEDs on at the same time are not recommended								
Strobe Mode Specification										
Pulse Operation		YES								
Max. Lighting Supply Voltage (Constant voltage power supply)	(V)	Pulsing at 24VDC to 48VDC, 0-10% Duty Cycle, Recommended at 36VDC								
Pulse Current, (Max. 10msec) (Constant current power supply)	(mA)	RED	750		GREEN	600		BLUE	600	
Max. pulse current of RED, GREEN & BLUE LEDs on at the same time	(V)	RED, GREEN & BLUE LEDs on at the same time are not recommended								
Max. Trigger Pulse Duration	(msec)	10								
Duty Cycle		0-10%								
Additional Information										
Additional Cooling Method		Attached to machine part for better heat dissipation								
Intensity Controller Selection		ANG, SD, ST & SDA Series								
CE Conformity		YES								
RoHS Compliance		YES								
Connection										
Connector Type (Default):		JST SMR-03V								
Cable Length out from lighting :	(mm)	500								
Pin Configuration :		Pin	Signal			Cable Color				
		1	LED +			RED				
		2	N.C.			---				
		3	LED -			WHITE				
										
Application										
Illumination Type		Indirect Illumination								
Application Use		Crack, chip, stains and mark on cylindrical surface or shafts.								



**VISION CONSULTANCY**  
MAKING THE UNSEEN VISIBLE

Thank you for downloading this document from  
[www.machine-vision-shop.com](http://www.machine-vision-shop.com)

If you have any questions, you need help composing the  
right package for your application or do you want to order?

Feel free to contact us via e-mail at [sales@vision-consultancy.nl](mailto:sales@vision-consultancy.nl) or visit our webshop.

Our vision experts are happy to help you.



Natascha Overhof



Christian Cromptvoets



**VISION CONSULTANCY**

Robert Schumandomein 2  
6229 ES Maastricht  
The Netherlands

+31 (0) 438 522 651

[sales@vision-consultancy.nl](mailto:sales@vision-consultancy.nl)  
[www.machine-vision-shop.com](http://www.machine-vision-shop.com)

Scan me to visit  
[machine-vision-shop](http://machine-vision-shop.com)

