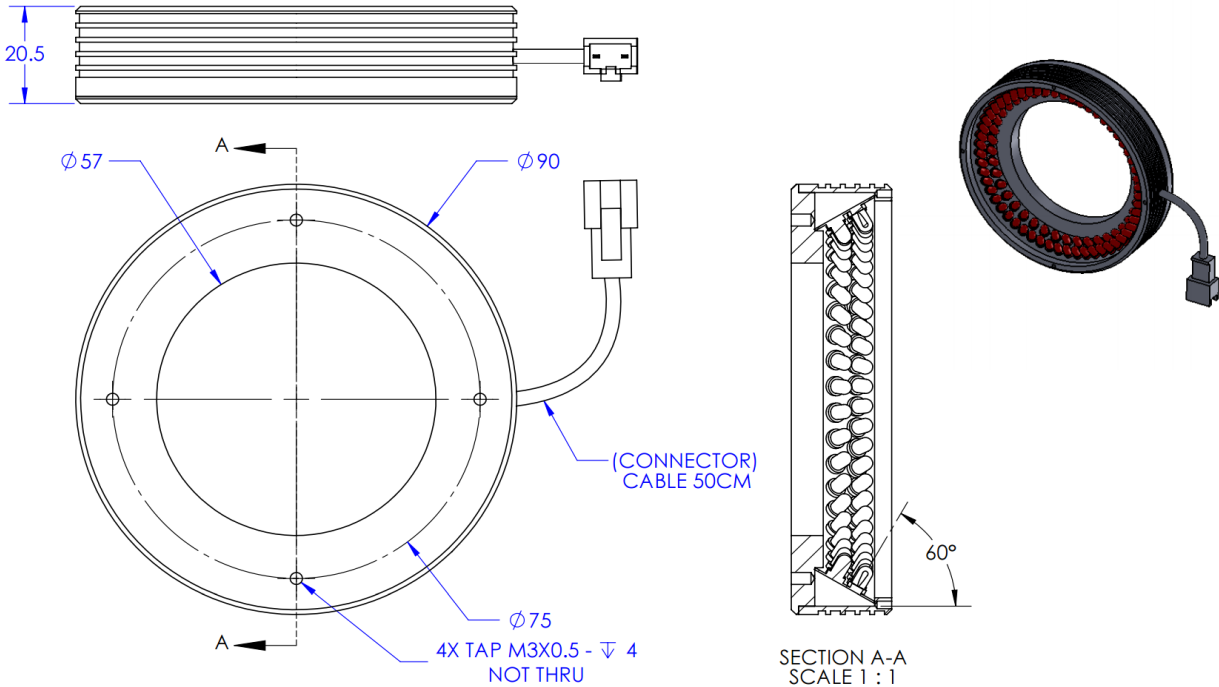




ILLUMINATOR DATA-ID

LLA-60-090-2-B-24V

Lighting Dimension




| Mechanical Information | |
|---------------------------|--------------------------------|
| Casing Material | Aluminium |
| Storage Temperature Range | Temp 0 - 45°C, Humidity 20-85% |
| Weight | 114 g |
| Length / Outer Diameter | 90 mm |
| Width / Inner Diameter | 57 mm |
| Thickness / Height | 20.5 mm |



ILLUMINATOR DATA-ID

LLA-60-090-2-B-24V

| Optical Information | | LLA-60-090-2-B-24V | | |
|--|--------|---|--------|-------------|
| Part Number | | LLA-60-090-2-B-24V | | |
| LED Color | | BLUE | | |
| Wavelength | (nm) | 470 | | |
| Intensity (±15%) | (Lux) | 168200 | 185700 | 170700 |
| Working Distance | (mm) | 15 | 20 | 25 |
| Illumination (number of row) | | 2 | | |
| Illumination Active Area | | | | |
| Active Length / Outer Diameter | (mm) | 83 | | |
| Active Width / Inner Diameter | (mm) | 57 | | |
| Emission angle | (deg.) | 60 | | |
| Eye Safety Class (IEC62471) | | II | | |
| Electrical Information | | | | |
| Lighting Supply Voltage (constant voltage mode) | | 24V ± 2% | | |
| Continuous Current | (mA) | 240 | | |
| Power Consumption | (W) | 5.76 | | |
| Lighting casing temperature, Operating after 60 minutes | °C | 57.7 | | |
| Strobe Mode Specification | | | | |
| Pulse Operation | | YES | | |
| Max. Lighting Supply Voltage (Constant voltage power supply) | (V) | Pulsing at 24VDC to 48VDC, 0-10% Duty Cycle, Recommended at 36VDC | | |
| Pulse Current, (Max. 10msec) (Constant current power supply) | (mA) | 720 | | |
| Max. Trigger Pulse Duration | (msec) | 10 | | |
| Duty Cycle | | 0-10% | | |
| Additional Information | | | | |
| Additional Cooling Method | | Attached to machine part for better heat dissipation | | |
| Intensity Controller Selection | | ANG, ST, SD and SDA Series | | |
| CE Conformity | | YES | | |
| RoHS Compliance | | YES | | |
| Connection | | | | |
| Connector Type (Default): | | JST SMR-03V | | |
| Cable Length out from lighting : | (mm) | 500 | | |
| Pin Configuration : | | Pin | Signal | Cable Color |
| | | 1 | LED + | RED |
| | | 2 | N.C. | --- |
| | | 3 | LED - | WHITE |
|  | | | | |
| Application | | | | |
| Illumination Type | | Direct Illumination | | |
| Applicattion Use | | Edge detection, scratched on metal or glossy surface. | | |



VISION CONSULTANCY
MAKING THE UNSEEN VISIBLE

Thank you for downloading this document from
www.machine-vision-shop.com

If you have any questions, you need help composing the
right package for your application or do you want to order?

Feel free to contact us via e-mail at sales@vision-consultancy.nl or visit our webshop.

Our vision experts are happy to help you.



Natascha Overhof



Christian Cromptvoets



VISION CONSULTANCY

Robert Schumandomein 2
6229 ES Maastricht
The Netherlands

+31 (0) 438 522 651

sales@vision-consultancy.nl
www.machine-vision-shop.com

Scan me to visit
[machine-vision-shop](http://machine-vision-shop.com)

