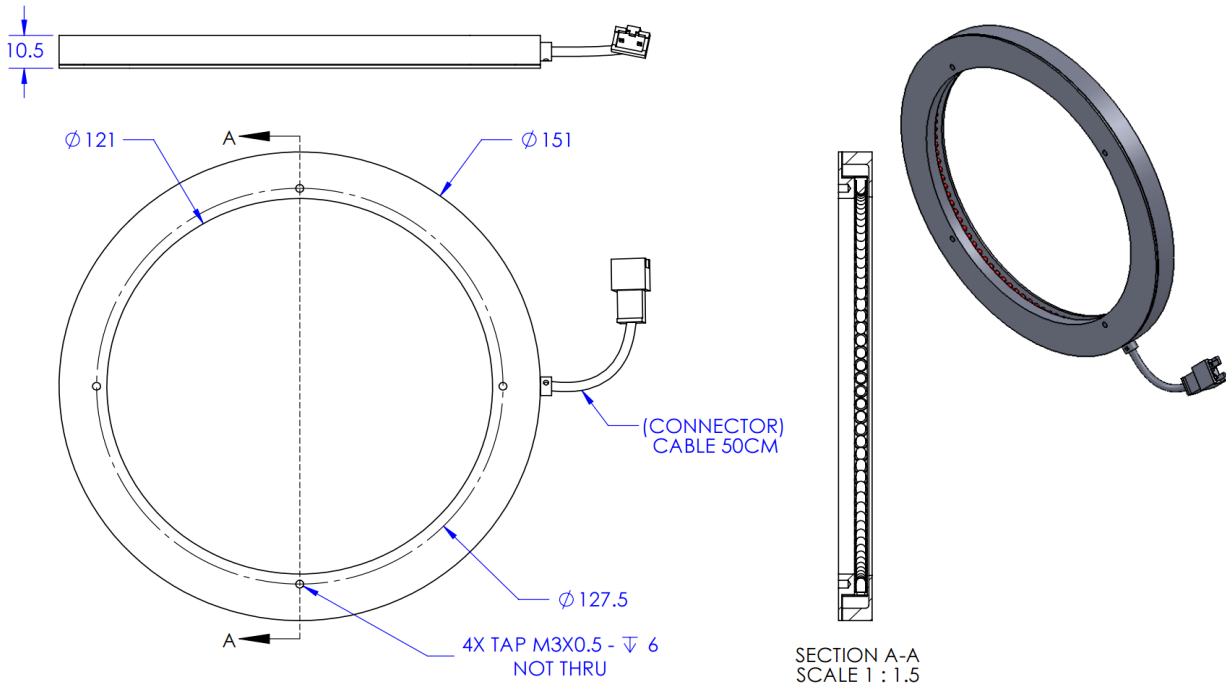




# ILLUMINATOR DATA-ID

## LLA-90-150-1-R-24V

### Lighting Dimension




Mechanical Information	
Casing Material	Aluminium
Storage Temperature Range	Temp 0 - 45°C, Humidity 20-85%
Weight	120 g
Length / Outer Diameter	151 mm
Width / Inner Diameter	121 mm
Thickness / Height	10.5 mm



# ILLUMINATOR DATA-ID

## LLA-90-150-1-R-24V

Optical Information			
Part Number	LLA-90-150-1-R-24V		
LED Color	RED		
Wavelength	(nm)	630	
Intensity (±15%)	(Lux)	3390	2800
Working Distance	(mm)	16	21
Illumination (number of row)		1	
Illumination Active Area			
Active Length / Outer Diameter	(mm)	122	
Active Width / Inner Diameter	(mm)	121	
Emission angle	(deg.)	90	
Eye Safety Class ( IEC62471 )		EXEMPT	
Electrical Information			
Lighting Supply Voltage (constant voltage mode)		24V ± 2%	
Continuous Current	(mA)	165	
Power Consumption	(W)	3.96	
Lighting casing temperature, Operating after 60 minutes	°C	41.9	
Strobe Mode Specification			
Pulse Operation		YES	
Max. Lighting Supply Voltage (Constant voltage power supply)	(V)	Pulsing at 24VDC to 48VDC, 0-10% Duty Cycle, Recommended at 36VDC	
Pulse Current, (Max. 10msec) (Constant current power supply)	(mA)	495	
Max. Trigger Pulse Duration	(msec)	10	
Duty Cycle		0-10%	
Additional Information			
Additional Cooling Method		Attached to machine part for better heat dissipation	
Intensity Controller Selection		ANG, ST, SD and SDA Series	
CE Conformity		YES	
RoHS Compliance		YES	
Connection			
Connector Type (Default):		JST SMR-03V	
Cable Length out from lighting :	(mm)	500	
Pin Configuration :		Pin	Signal
		1	LED +
		2	N.C.
		3	LED -
			Cable Color
			RED
			---
			WHITE
			
Application			
Illumination Type		Direct Illumination	
Applicattion Use		Edge detection, scratched on metal or glossy surface.	



**VISION CONSULTANCY**  
MAKING THE UNSEEN VISIBLE

Thank you for downloading this document from  
[www.machine-vision-shop.com](http://www.machine-vision-shop.com)

If you have any questions, you need help composing the  
right package for your application or do you want to order?

Feel free to contact us via e-mail at [sales@vision-consultancy.nl](mailto:sales@vision-consultancy.nl) or visit our webshop.

Our vision experts are happy to help you.



Natascha Overhof



Christian Cromptvoets



**VISION CONSULTANCY**

Robert Schumandomein 2  
6229 ES Maastricht  
The Netherlands

+31 (0) 438 522 651

[sales@vision-consultancy.nl](mailto:sales@vision-consultancy.nl)  
[www.machine-vision-shop.com](http://www.machine-vision-shop.com)

Scan me to visit  
[machine-vision-shop](http://machine-vision-shop.com)

