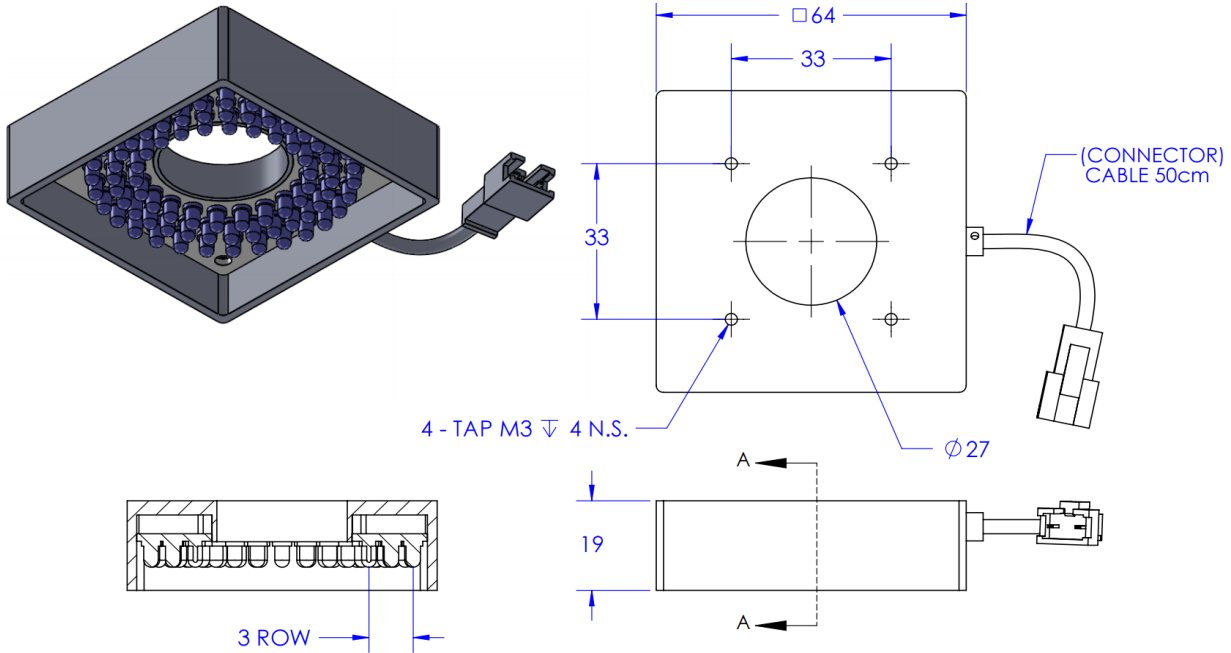




# ILLUMINATOR DATA-ID

## LSQ-00-060-3-R-24V

### Lighting Dimension




Mechanical Information	
Casing Material	Aluminium
Storage Temperature Range	Temp 0 - 45°C, Humidity 20-85%
Weight	110 g
Length / Outer Diameter	64 mm
Width / Inner Diameter	27 mm
Thickness / Height	19 mm



# ILLUMINATOR DATA-ID

## LSQ-00-060-3-R-24V

Optical Information						
Part Number		LSQ-00-060-3-R-24V				
LED Color		RED				
Wavelength	(nm)	630				
Intensity (±15%)	(Lux)	11130	11080	10900	11080	10600
Working Distance	(mm)	73	78	83	68	88
Illumination (number of row)		3				
Illumination Active Area						
Active Length / Outer Diameter	(mm)	60				
Active Width / Inner Diameter	(mm)	29				
Emission angle	(deg.)	0				
Eye Safety Class ( IEC62471 )		EXEMPT				
Electrical Information						
Lighting Supply Voltage (constant voltage mode)		24V ± 2%				
Continuous Current	(mA)	150				
Power Consumption	(W)	3.6				
Lighting casing temperature, Operating after 60 minutes	°C	44.3				
Strobe Mode Specification						
Pulse Operation		YES				
Max. Lighting Supply Voltage (Constant voltage power supply)	(V)	Pulsing at 24VDC to 48VDC, 0-10% Duty Cycle, Recommended at 36VDC				
Pulse Current, (Max. 10msec) (Constant current power supply)	(mA)	450				
Max. Trigger Pulse Duration	(msec)	10				
Duty Cycle		0-10%				
Additional Information						
Additional Cooling Method		Attached to machine part for better heat dissipation				
Intensity Controller Selection		ANG, ST, SD and SDA Series				
CE Conformity		YES				
RoHS Compliance		YES				
Connection						
Connector Type (Default):		JST SMR-03V				
Cable Length out from lighting :	(mm)	500				
Pin Configuration :		Pin	Signal	Cable Color		
		1	LED +	RED		
		2	N.C.	---		
		3	LED -	WHITE		
						
Application						
Illumination Type		Direct Illumination				
Appication Use		Substrate inspection, label inspection, flat surface, fiducially recognition.				



**VISION CONSULTANCY**  
MAKING THE UNSEEN VISIBLE

Thank you for downloading this document from  
[www.machine-vision-shop.com](http://www.machine-vision-shop.com)

If you have any questions, you need help composing the  
right package for your application or do you want to order?

Feel free to contact us via e-mail at [sales@vision-consultancy.nl](mailto:sales@vision-consultancy.nl) or visit our webshop.

Our vision experts are happy to help you.



Natascha Overhof



Christian Cromptvoets



**VISION CONSULTANCY**

Robert Schumandomein 2  
6229 ES Maastricht  
The Netherlands

+31 (0) 438 522 651

[sales@vision-consultancy.nl](mailto:sales@vision-consultancy.nl)  
[www.machine-vision-shop.com](http://www.machine-vision-shop.com)

Scan me to visit  
[machine-vision-shop](http://machine-vision-shop.com)

