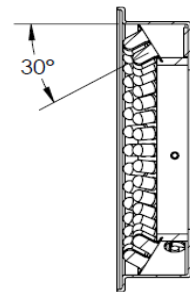
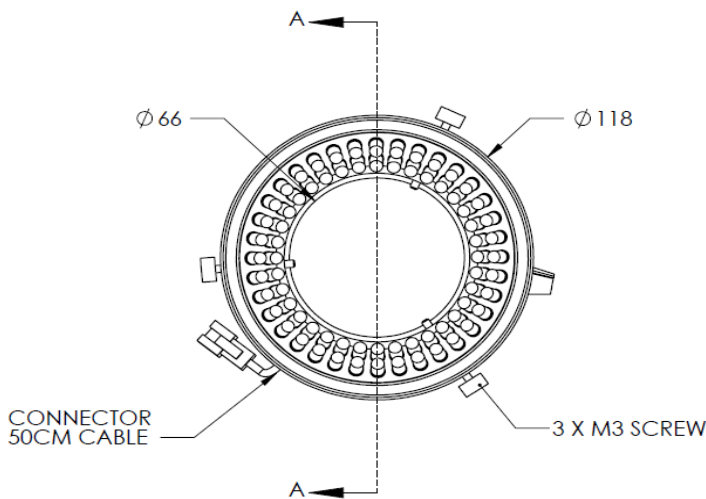
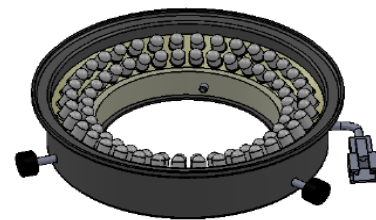
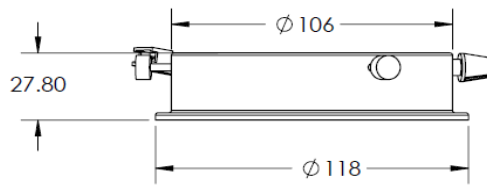




# ILLUMINATOR DATA (ID)

## MILX-30-070-WE-24V

### Lighting Dimension



SECTION A-A  
SCALE 1 : 2



### Mechanical Information

Casing Material	Aluminium
Storage Temperature Range	0 - 45°C
Storage Humidity Range	20 - 85%
Weight	105 g
Length / Outer Diameter	118 mm
Width / Inner Diameter	66 mm
Thickness / Height	27.8 mm



## ILLUMINATOR DATA (ID)

### MILX-30-070-WE-24V

Lighting Information					
Part Number	MILX-30-070-WE-24V				
LED Color	WARM WHITE				
Wavelength	3800K-3175K				
Working Distance	50 mm	60 mm	70 mm		
Intensity (±15%)	27900 lx	32900 lx	24800 lx		
Illumination (number of row)	2				
Illumination Active Area	Active Length / Outer Dia.		104 mm		
	Active Width / Inner Dia.		73 mm		
Emission angle	30				
Eye Safety Class ( IEC62471 )	EXEMPT				
Chromaticity Table <i>For White colour only</i>	x	0.3988	0.439	0.3822	0.4129
	y	0.4116	0.431	0.358	0.3725

Electrical Information	
Rated Constant Voltage	24V±2%
Rated Constant Current	100 mA
Power Consumption	2.4 W
Casing temperature, After 60 minutes operation	50.6 °C

Strobe Mode Specification	
*Normal Strobe Voltage	NA
*Normal Strobe Current	NA
Overdrive Voltage Range	-
Overdrive Current Range	-
Recommended Overdrive Voltage	-
**Max. Trigger Pulse Duration	-
**Max. Duty Cycle	-



\*Normal strobe means the lighting is operated using the rated power. Overdrive means the power supplied to the lighting exceeded the rated power.


\*\*Overdrive condition must not exceed the max. trigger pulse duration and max. duty cycle.



## ILLUMINATOR DATA (ID)

### MILX-30-070-WE-24V

Connection Information	
Connector Type (Default)	DC Plug Socket Female
Cable Length	NA
	 positive polarity

Additional Information	
Additional Cooling Method	Nil
Intensity Controller Selection	Build-in
CE Conformity	YES
RoHS Compliance	YES
Additional Component	Power adaptor and cable adaptor
	

Application	
Illumination Type	Microscope Illumination
Application Use	LED illumination on stereo microscope system.



## ILLUMINATOR DATA (ID)

### MILX-30-070-WE-24V

Lighting Pattern				
Working Distance	For further details please contact us.			
Display and Image				
Data Results	Horizontal	Meas.(mm)	Vertical	Meas.(mm)
	90%		90%	
	80%		80%	
	70%		70%	
	60%		60%	
	50%		50%	
	40%		40%	
	30%		30%	
	20%		20%	
	10%		10%	



**VISION CONSULTANCY**  
MAKING THE UNSEEN VISIBLE

Thank you for downloading this information from  
[www.machine-vision-shop.com](http://www.machine-vision-shop.com)

If you have any questions, you need help composing the  
right package for your application or do you want to order?

Feel free to contact us via e-mail at [sales@vision-consultancy.nl](mailto:sales@vision-consultancy.nl) or visit our webshop.

Our vision experts are happy to help you.



Natascha Overhof



Christian Cromptvoets



**VISION CONSULTANCY**

Robert Schumandomein 2  
6229 ES Maastricht  
The Netherlands

+31 (0) 438 522 651

[sales@vision-consultancy.nl](mailto:sales@vision-consultancy.nl)  
[www.machine-vision-shop.com](http://www.machine-vision-shop.com)

Scan me to visit  
[machine-vision-shop](http://machine-vision-shop.com)

