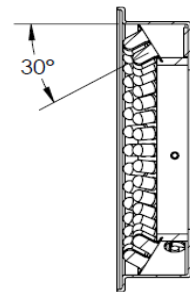
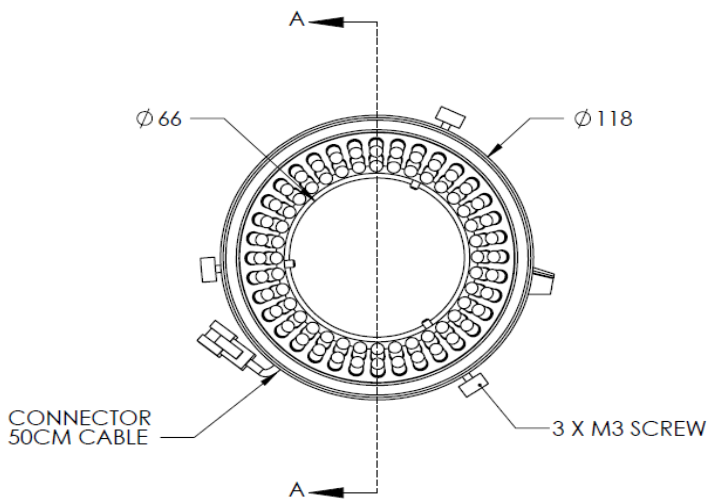
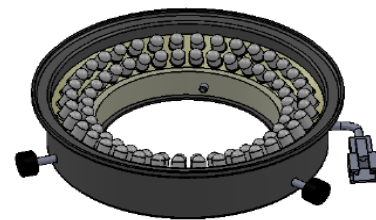
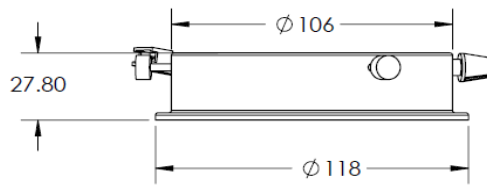




ILLUMINATOR DATA (ID)

MILX-30-070-WP-24V

Lighting Dimension



SECTION A-A
SCALE 1 : 2



Mechanical Information

Casing Material	Aluminium
Storage Temperature Range	0 - 45°C
Storage Humidity Range	20 - 85%
Weight	105 g
Length / Outer Diameter	118 mm
Width / Inner Diameter	66 mm
Thickness / Height	27.8 mm



ILLUMINATOR DATA (ID)

MILX-30-070-WP-24V

Lighting Information										
Part Number	MILX-30-070-WP-24V									
LED Color	PURE WHITE									
Wavelength	REFER TO CHROMACITY TABLE									
Working Distance	50 mm	60 mm	70 mm							
Intensity ($\pm 15\%$)	16200 lx	22400 lx	18900 lx							
Illumination (number of row)	2									
Illumination Active Area	Active Length / Outer Dia.		104 mm							
	Active Width / Inner Dia.		73 mm							
Emission angle	30									
Eye Safety Class (IEC62471)	EXEMPT									
Chromaticity Table For White colour only	X	0.296	0.287	0.307	0.311	X	0.311	0.307	0.33	0.33
	Y	0.276	0.295	0.315	0.294	Y	0.294	0.315	0.339	0.318

Electrical Information	
Rated Constant Voltage	24V $\pm 2\%$
Rated Constant Current	100 mA
Power Consumption	2.4 W
Casing temperature, After 60 minutes operation	50.6 °C

Strobe Mode Specification	
*Normal Strobe Voltage	NA
*Normal Strobe Current	NA
Overdrive Voltage Range	-
Overdrive Current Range	-
Recommended Overdrive Voltage	-
**Max. Trigger Pulse Duration	-
**Max. Duty Cycle	-



*Normal strobe means the lighting is operated using the rated power. Overdrive means the power supplied to the lighting exceeded the rated power.


**Overdrive condition must not exceed the max. trigger pulse duration and max. duty cycle.



ILLUMINATOR DATA (ID)

MILX-30-070-WP-24V

Connection Information	
Connector Type (Default)	DC Plug Socket Female
Cable Length	NA
	 positive polarity

Additional Information	
Additional Cooling Method	Nil
Intensity Controller Selection	Build-in
CE Conformity	YES
RoHS Compliance	YES
Additional Component	Power adaptor and cable adaptor
	

Application	
Illumination Type	Microscope Illumination
Application Use	LED illumination on stereo microscope system.



ILLUMINATOR DATA (ID)

MILX-30-070-WP-24V

Lighting Pattern				
Working Distance	For further details please contact us.			
Display and Image				
Data Results	Horizontal	Meas.(mm)	Vertical	Meas.(mm)
	90%		90%	
	80%		80%	
	70%		70%	
	60%		60%	
	50%		50%	
	40%		40%	
	30%		30%	
	20%		20%	
	10%		10%	



VISION CONSULTANCY
MAKING THE UNSEEN VISIBLE

Thank you for downloading this information from
www.machine-vision-shop.com

If you have any questions, you need help composing the
right package for your application or do you want to order?

Feel free to contact us via e-mail at sales@vision-consultancy.nl or visit our webshop.

Our vision experts are happy to help you.



Natascha Overhof



Christian Cromptvoets



VISION CONSULTANCY

Robert Schumandomein 2
6229 ES Maastricht
The Netherlands

+31 (0) 438 522 651

sales@vision-consultancy.nl
www.machine-vision-shop.com

Scan me to visit
[machine-vision-shop](http://machine-vision-shop.com)

