



TMS LITE SDN. BHD. (Co. No. 671971V)
LED ILLUMINATION SOLUTION PARTNER



SDX-CH1-A1

High Current Series Lighting Controller Unit
(Analog)

USER MANUAL

Table of Contents

General Description	2
Specification of SDX-CH1-A1	2
Specification of Adaptor 24VDC.....	2
Panel Label Description.....	3
SDX-CH1-A1 :	3
Connections	4
Power Input 24VDC Connector (R7B)	4
Light Output Connector	4
SDX-CH1-A1 Operation Mode	5
Constant (Analog VR intensity Control)	5
Power ON	5
Precautions.....	5
Drawing Layout	6
Schematic SDX-CH1-A1	6
Accessories.....	7
Power Cord Information	8

Revision Notes

Revision	Date	Description	Authors
1.0	2020-10-8	Initial version.	KOKWAH
1.1	2020-12-28	Updates Information	KOKWAH

General Description

Introduction

The SDX-CH1-A1 controller provides analog intensity control of LED lighting for machine vision applications. The SDX-CH1-A1 provides single channel high current output, with a current output selection switch (3A / 5A).

Front Panel



Specification of SDX-CH1-A1

Lighting Output	No. of lighting output	1 per channel
	Voltage	24VDC
	Output current	Selectable maximum current 3A or 5A
Input Power Supply (SDX Board)	Power rating	24VDC
	Input Current	Minimum 5.5A
Control	Intensity Control	VR Adjustable
	Intensity Range	0 ~ 10 steps

Specification of Adaptor 24VDC

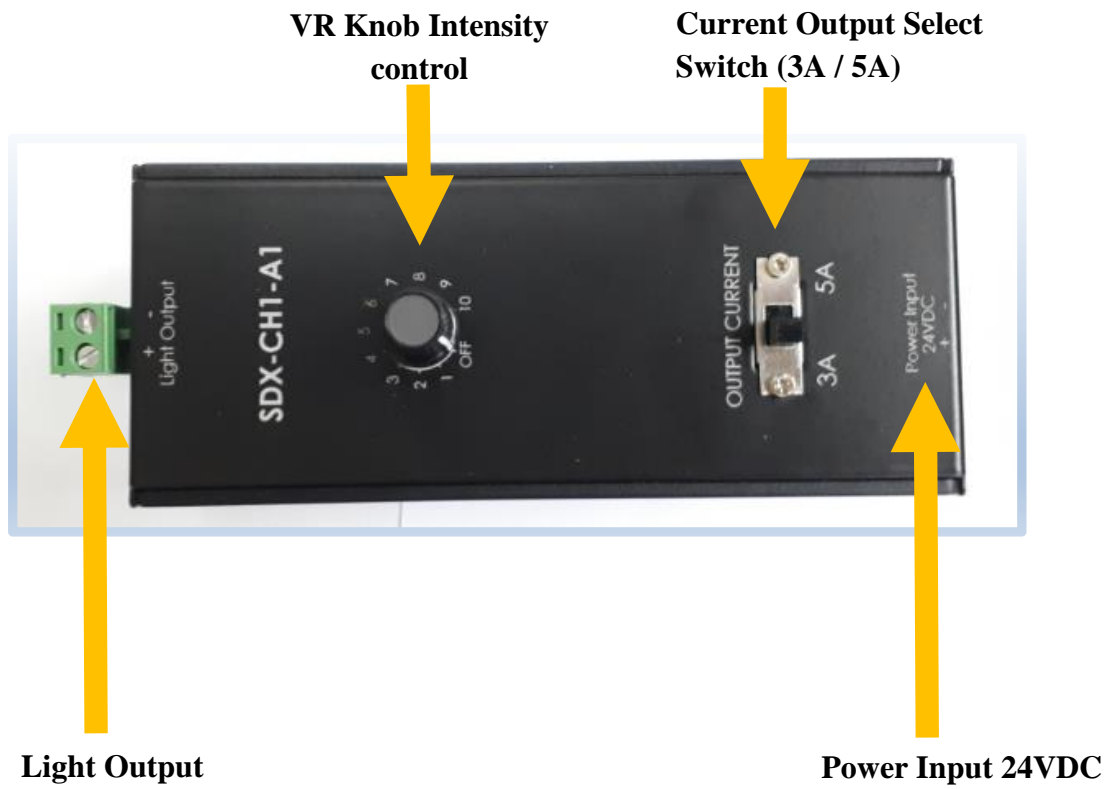
Input Power Supply	Input Power rating	100V - 240V AC, 50/60 Hz, 2.0A
	Output Power rating	24VDC, 6.67A

Remark:

- The Intensity of light is affected by the length of the lighting cable.

Panel Label Description

Front View :



Connections

Power Input 24VDC Connector (R7B)



**Power Input 24VDC
(R7B Connector)**

Light Output Connector



Pin	Description
1	LIGHT+
2	LIGHT-

SDX-CH1-A1 Operation Mode

Constant (Analog VR intensity Control)

The unit produces constant output current which is controlled by VR Knob from 1 to 10 (Analog).

VR Knob controls the lightings intensity.

The lightings intensity is set by manually adjust the position of VR Knob (label 1-10) at the front panel of the unit.

When VR Knob position at '1', it sets the lightings intensity at minimum.

When VR Knob position at '10', it sets the lightings intensity at maximum.

Power ON

The maximum output current setting for the controller is either 3A or 5A. The current setting is selectable by a slide switch on the front panel of the unit. Position the Current Select Switch at 3A will set the maximum output current to 3 Amps. Position the Current Select Switch at 5A will set the maximum output current to 5 Amps.

Please make sure only 24V LED Lighting is connected to Lighting Output connector before power on the unit.

Connect a power cord cable to 100V - 240V AC supply line to the Adaptor chassis plug and plug the R7B header to controller for supply DC voltage to controller.

Precautions

- **Do not open the cover of the product**

Electric shock may occur, do not touch the internal parts.

- **Install the unit at a site with good ventilation**

Poor ventilation result over heating and cause the unit to fail.

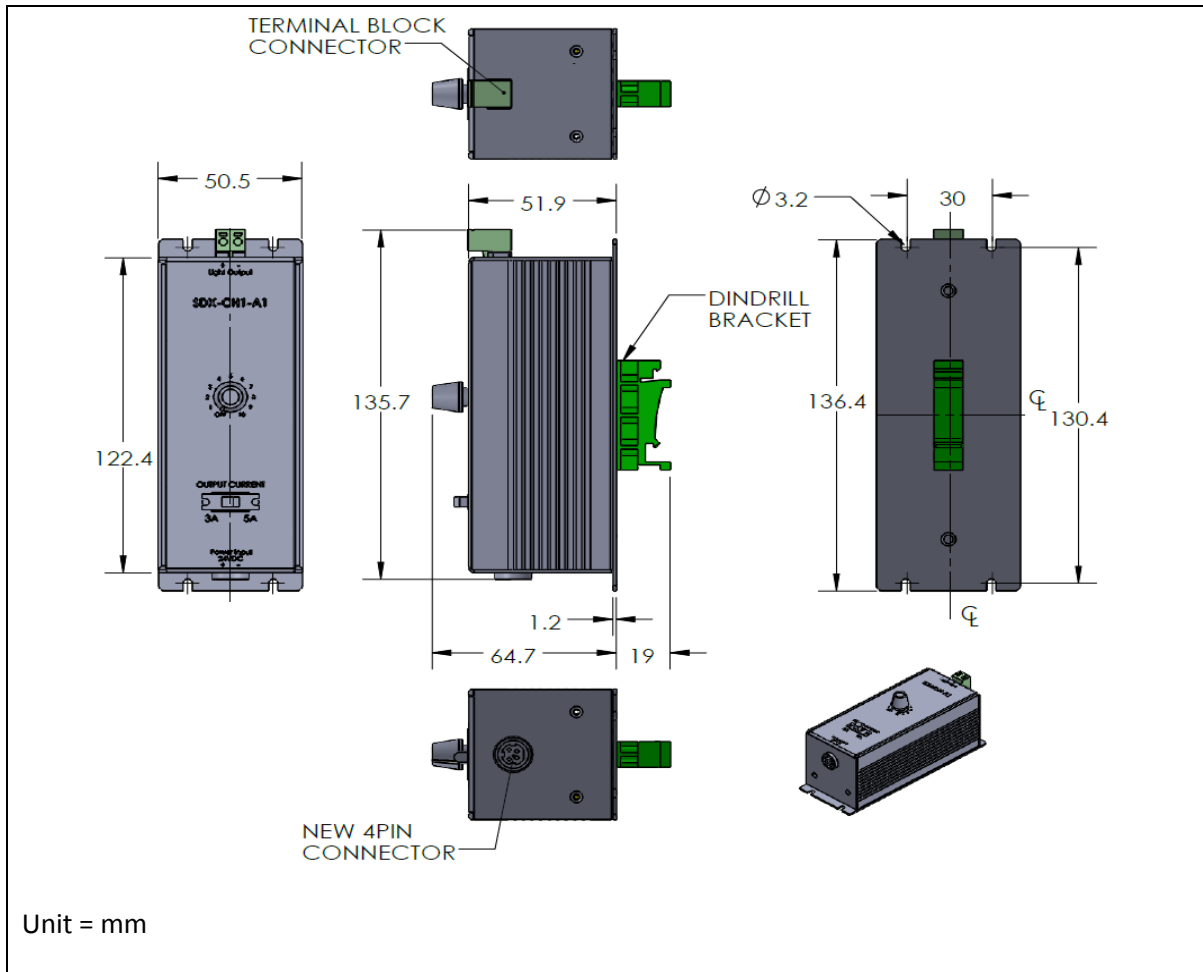
- **Do not use the unit in a closed system, as it becomes hot**

Cool down with fans, if it is used in a close space.

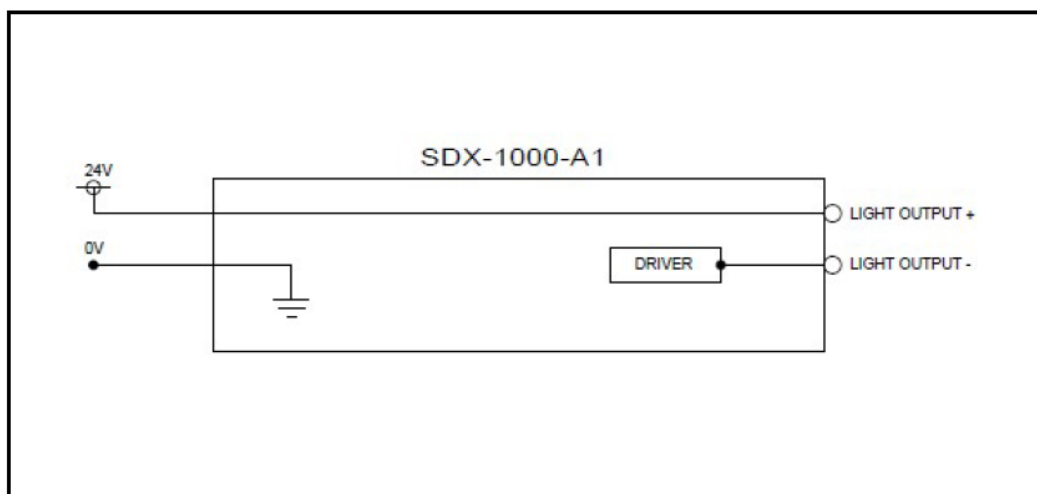
- **Do not rest your hand or any part of your body on the product casing**

Warning: The casing of the product is hot. Its temperature may raise to <70 °C.

Drawing Layout




Schematic SDX-CH1-A1



Accessories

Additional accessories that can be used with SDX-CH1-A1 controllers.

- 24V power supply
- Choose one Power Cord UK, US or EU

MODEL	SPECIFICATIONS
 <p data-bbox="239 1456 798 1534">24V ADAPTOR POWER SUPPLY WITH POWER CORD</p>	<ul style="list-style-type: none"> • SDX-CH1-A1-PS6.6A-UK (CONTROLLER WITH 24V ADAPTOR AND UK POWER CORD) • SDX-CH1-A1-PS6.6A-US (CONTROLLER WITH 24V ADAPTOR AND US POWER CORD) • SDX-CH1-A1-PS6.6A-EU (CONTROLLER WITH 24V ADAPTOR AND EU POWER CORD)

Power Cord Information

The cable length is 1.8 Meter length of power cord.

240VAC Power Cord (UK)



220VAC Power Cord (EU)



110VAC Power Cord (US)





VISION CONSULTANCY
MAKING THE UNSEEN VISIBLE

Thank you for downloading this document from
www.machine-vision-shop.com

If you have any questions, you need help composing the
right package for your application or do you want to order?

Feel free to contact us via e-mail at sales@vision-consultancy.nl or visit our webshop.

Our vision experts are happy to help you.



Natascha Overhof



Christian Cromptoets



VISION CONSULTANCY

Robert Schumandomein 2
6229 ES Maastricht
The Netherlands

+31 (0) 438 522 651

sales@vision-consultancy.nl
www.machine-vision-shop.com

Scan me to visit
[machine-vision-shop](http://machine-vision-shop.com)

