

VISION CONSULTANCY

FIFO
OPTICS
CATALOGUE 2021

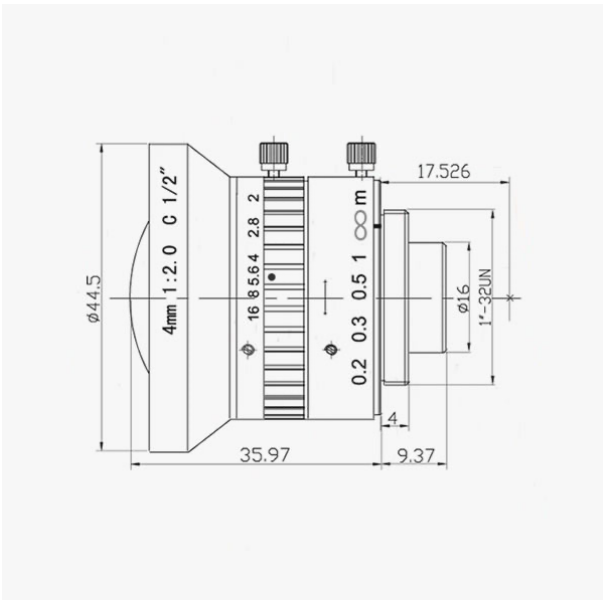


VISION CONSULTANCY
MAKING THE UNSEEN VISIBLE

FIFO-0420MM



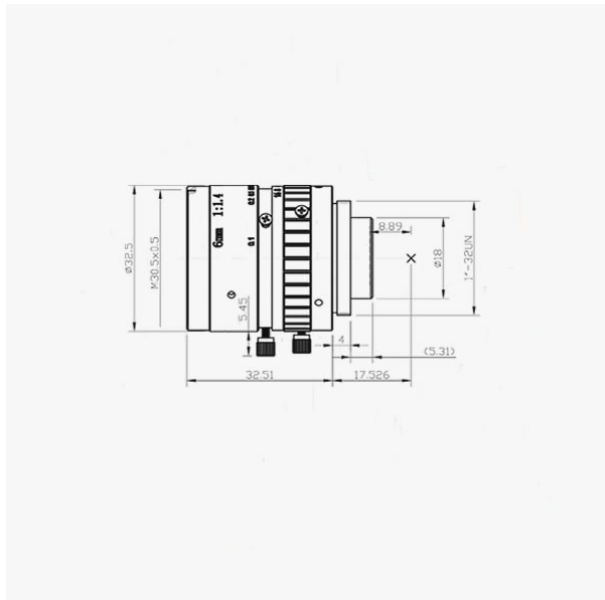
| | | |
|--------------------------|----------------|----------------------|
| Resolution | 100lp/mm(2MP) | |
| Format | 1/2" | |
| Mount | C | |
| Focal Length | 4mm | |
| F/No | F2.0~F16 | |
| Back Focus | 8.77mm | |
| Iris Type | M-Iris | |
| Angle of view (DXVXH) | 1/2*Format | 90°×61.8°×77.4° |
| | 1/3*Format | 73.74°×48.46°×61.93° |
| | 1/4*Format | 53.13°×33.4°×43.6° |
| Distortion | < -2.8% | |
| Working Distance | 0.1m~∞ | |
| Design Wavelength | 400~700nm | |
| Filter Thread | - | |
| Dimension | ∅ 44.5×35.97mm | |
| Weight | 130g | |



FIFO-0614MM



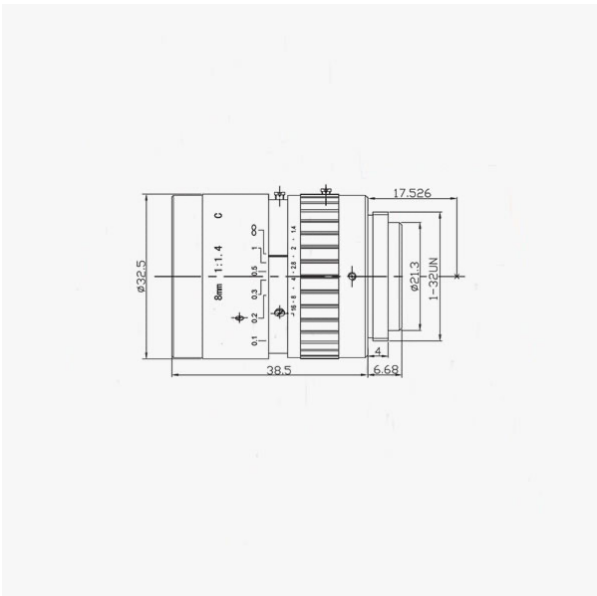
| | | |
|-----------------------|----------------|---------------------|
| Resolution | 100lp/mm(2MP) | |
| Format | 1/2" | |
| Mount | C | |
| Focal Length | 6mm | |
| F/No | F1.4~F16 | |
| Back Focus | 8.89mm | |
| Iris Type | M-Iris | |
| Angle of view (DXVXH) | 1/2"Format | 68°×43.8°×56.6° |
| | 1/3"Format | 53.13°×33.4°×43.6° |
| | 1/4"Format | 36.87°×22.6°×29.86° |
| Distortion | < -1% | |
| Working Distance | 0.1m~∞ | |
| Design Wavelength | 400~700nm | |
| Filter Thread | M30.5×0.5 | |
| Dimension | ∅ 32.5×32.51mm | |
| Weight | 100g | |



FIFO-0814MM



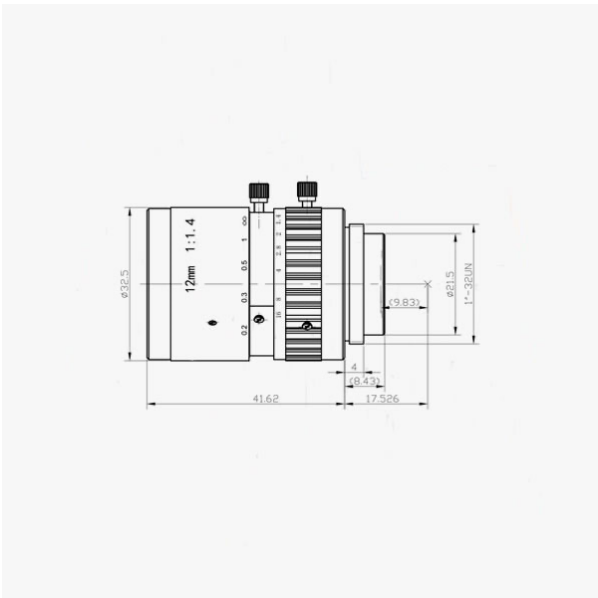
| | | |
|-----------------------|---------------|----------------------|
| Resolution | 100lp/mm(2MP) | |
| Format | 1/2" | |
| Mount | C | |
| Focal Length | 8mm | |
| F/No | F1.4~F16 | |
| Back Focus | 11.02mm | |
| Iris Type | M-Iris | |
| Angle of view (DXVXH) | 1/2*Format | 54°×33.6°×43.8° |
| | 1/3*Format | 41.11°×25.36°×33.4° |
| | 1/4*Format | 28.07°×17.06°×25.36° |
| Distortion | < -0.7% | |
| Working Distance | 0.1m~∞ | |
| Design Wavelength | 400~700nm | |
| Filter Thread | M30.5×0.5 | |
| Dimension | ∅ 32.5×38.5mm | |
| Weight | 107g | |



FIFO-1214MM



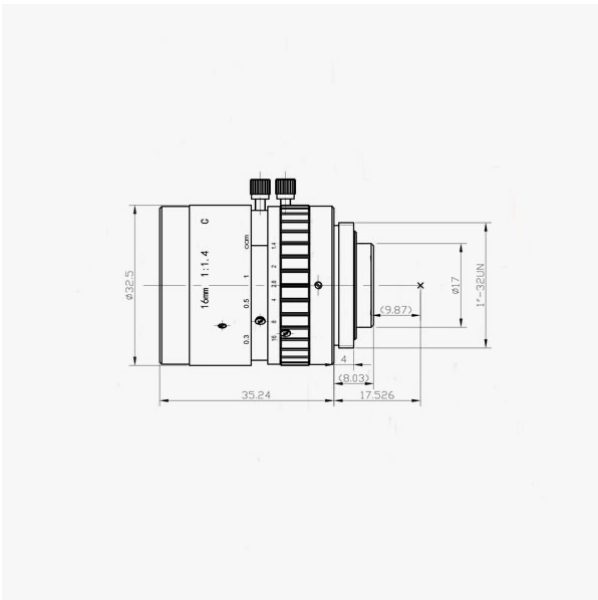
| | | |
|--------------------------|---------------|----------------------|
| Resolution | 100lp/mm(2MP) | |
| Format | 2/3" | |
| Mount | C | |
| Focal Length | 12mm | |
| F/No | F1.4~F16 | |
| Back Focus | 9.83mm | |
| Iris Type | M-Iris | |
| Angle of view (DXVXH) | 2/3"Format | 48.86°×30.44°×39.94° |
| | 1/2"Format | 36.86°×22.62°×29.86° |
| | 1/3"Format | 28.07°×17.06°×22.62° |
| | 1/4"Format | 18.92°×11.42°×15.19° |
| Distortion | < -1% | |
| Working Distance | 0.1m~∞ | |
| Design Wavelength | 400~700nm | |
| Filter Thread | M30.5×0.5 | |
| Dimension | ∅32.5×41.62mm | |
| Weight | 85g | |



FIFO-1614MM



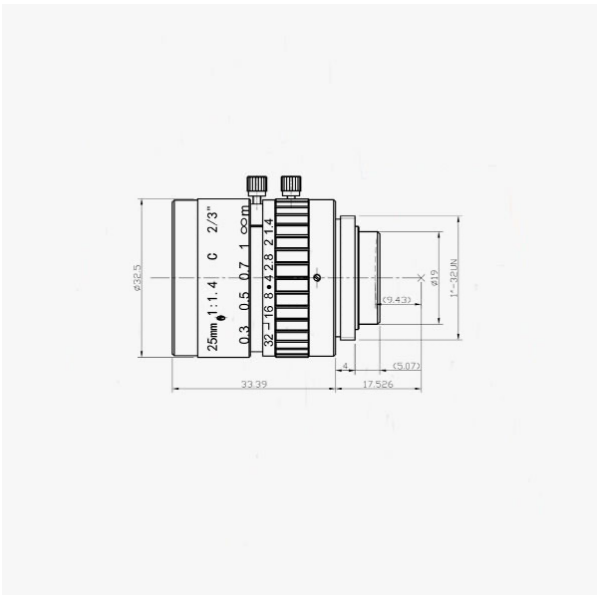
| | | |
|--------------------------|---------------|----------------------|
| Resolution | 100lp/mm(2MP) | |
| Format | 2/3" | |
| Mount | C | |
| Focal Length | 16mm | |
| F/No | F1.4~F16 | |
| Back Focus | 9.87mm | |
| Iris Type | M-Iris | |
| Angle of view (DXVXH) | 2/3*Format | 36°×22.02°×29.12° |
| | 1/2*Format | 28.07°×17.06°×22.62° |
| | 1/3*Format | 21.23°×12.84°×17.06° |
| | 1/4*Format | 14.25°×8.58°×11.42° |
| Distortion | < -1% | |
| Working Distance | 0.2m~∞ | |
| Design Wavelength | 400~700nm | |
| Filter Thread | M30.5×0.5 | |
| Dimension | ∅32.5×35.24mm | |
| Weight | 80g | |



FIFO-2514MM



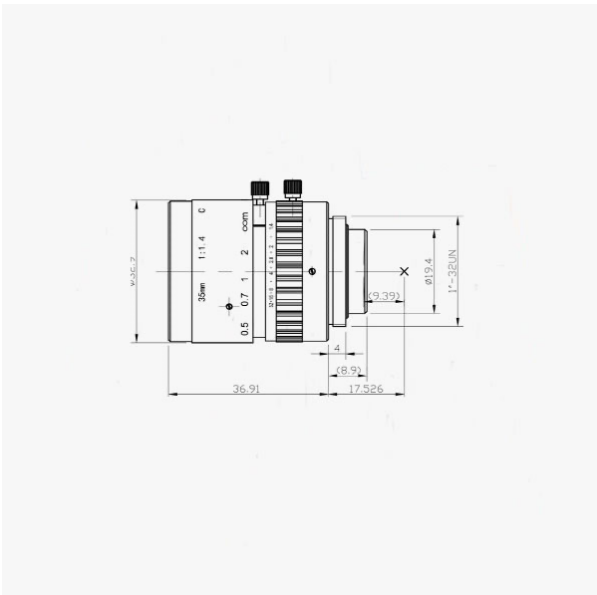
| | | |
|--------------------------|----------------|----------------------|
| Resolution | 100lp/mm(2MP) | |
| Format | 2/3" | |
| Mount | C | |
| Focal Length | 25mm | |
| F/No | F1.4~F32 | |
| Back Focus | 9.43mm | |
| Iris Type | M-Iris | |
| Angle of view (DXVXH) | 2/3*Format | 24.18°×41.6°×19.42° |
| | 1/2*Format | 18.18°×10.97°×14.59° |
| | 1/3*Format | 13.69°×8.24°×10.97° |
| | 1/4*Format | 9.15°×5.5°×7.32° |
| Distortion | < -1% | |
| Working Distance | 0.3m~∞ | |
| Design Wavelength | 400~700nm | |
| Filter Thread | M30.5×0.5 | |
| Dimension | ∅ 32.5×33.39mm | |
| Weight | 60g | |



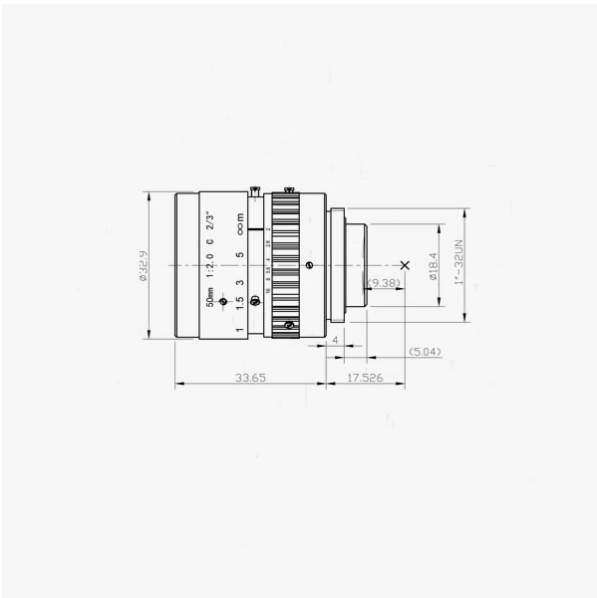
FIFO-3514MM



| | | |
|--------------------------|---------------|-------------------|
| Resolution | 100lp/mm(2MP) | |
| Format | 2/3" | |
| Mount | C | |
| Focal Length | 35mm | |
| F/No | F1.4~F32 | |
| Back Focus | 9.39mm | |
| Iris Type | M-Iris | |
| Angle of view (DXVXH) | 2/3*Format | 17.9°×10.8°×14.4° |
| | 1/2*Format | 13°×8°×10.5° |
| | 1/3*Format | 10°×5.9°×8° |
| | 1/4*Format | 6.54°×3.93°×5.23° |
| Distortion | < -1% | |
| Working Distance | 0.5m~∞ | |
| Design Wavelength | 400~700nm | |
| Filter Thread | M30.5×0.5 | |
| Dimension | ∅32.5×36.91mm | |
| Weight | 90g | |



FIFO-5020MM

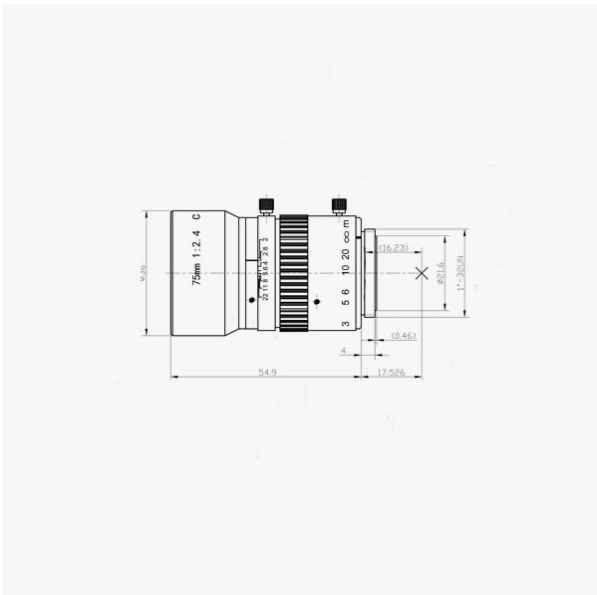


| | | |
|--------------------------|---------------|-------------------|
| Resolution | 100lp/mm(2MP) | |
| Format | 2/3" | |
| Mount | C | |
| Focal Length | 50mm | |
| F/No | F2.0~F16 | |
| Back Focus | 9.38mm | |
| Iris Type | M-Iris | |
| Angle of view (DXVXH) | 2/3*Format | 12.7°×7.7°×10.2° |
| | 1/2*Format | 9.3°×5.6°×7.46° |
| | 1/3*Format | 7°×4.2°×5.6° |
| | 1/4*Format | 4.58°×2.75°×3.67° |
| Distortion | < 0.4% | |
| Working Distance | 1m~∞ | |
| Design Wavelength | 400~700nm | |
| Filter Thread | M30.5×0.5 | |
| Dimension | ∅32.5×33.65mm | |
| Weight | 80g | |

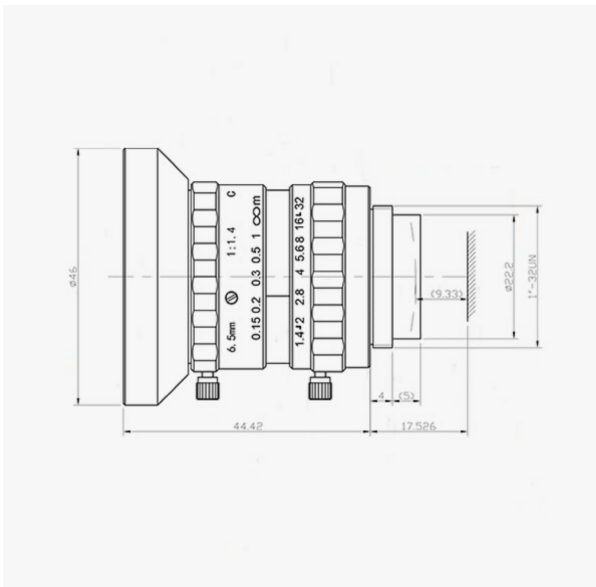
FIFO-7524MM



| | | |
|--------------------------|---------------|-------------------|
| Resolution | 100lp/mm(2MP) | |
| Format | 2/3" | |
| Mount | C | |
| Focal Length | 75mm | |
| F/No | F2.4~F22 | |
| Back Focus | 16.23mm | |
| Iris Type | M-Iris | |
| Angle of view (DXVXH) | 2/3*Format | 8.32°×5.02°×6.7° |
| | 1/2*Format | 6.2°×3.7°×4.5° |
| | 1/3*Format | 4.6°×2.8°×3.7° |
| | 1/4*Format | 3.05°×1.83°×2.44° |
| Distortion | < 0.65% | |
| Working Distance | 1m~∞ | |
| Design Wavelength | 400~700nm | |
| Filter Thread | M34×0.5 | |
| Dimension | ∅36×54.97mm | |
| Weight | 140g | |



FIFO-0614MLM



| | | |
|--------------------------|---------------|----------------------|
| Resolution | 100lp/mm(2MP) | |
| Format | 1" | |
| Mount | C | |
| Focal Length | 6.5mm | |
| F/No | F1.4~F32 | |
| Back Focus | 9.33mm | |
| Iris Type | M-Iris | |
| Angle of view (DXVXH) | 1.1"Format | 112°×72.89°×88.66° |
| | 2/3"Format | 85.02°×57.62°×71.51° |
| | 1/2"Format | 67.38°×43.6°×56.14° |
| Distortion | < -19% | |
| Working Distance | 0.15m~∞ | |
| Design Wavelength | 400~700nm | |
| Filter Thread | M43×0.75 | |
| Dimension | ∅46×44.42mm | |
| Weight | 130g | |



VISION CONSULTANCY
MAKING THE UNSEEN VISIBLE

Thank you for downloading this catalogue from
www.machine-vision-shop.com

If you have any questions, you need help composing the right package for your application or do you want to order?

Feel free to contact us via e-mail at sales@vision-consultancy.nl or visit our webshop.

Our vision experts are happy to help you.



Natascha Overhof



Christian Cromptvoets



VISION CONSULTANCY

Robert Schumandomein 2
6229 ES Maastricht
The Netherlands

+31 (0) 438 522 651

sales@vision-consultancy.nl
www.machine-vision-shop.com

Scan me to visit
[machine-vision-shop](http://machine-vision-shop.com)

