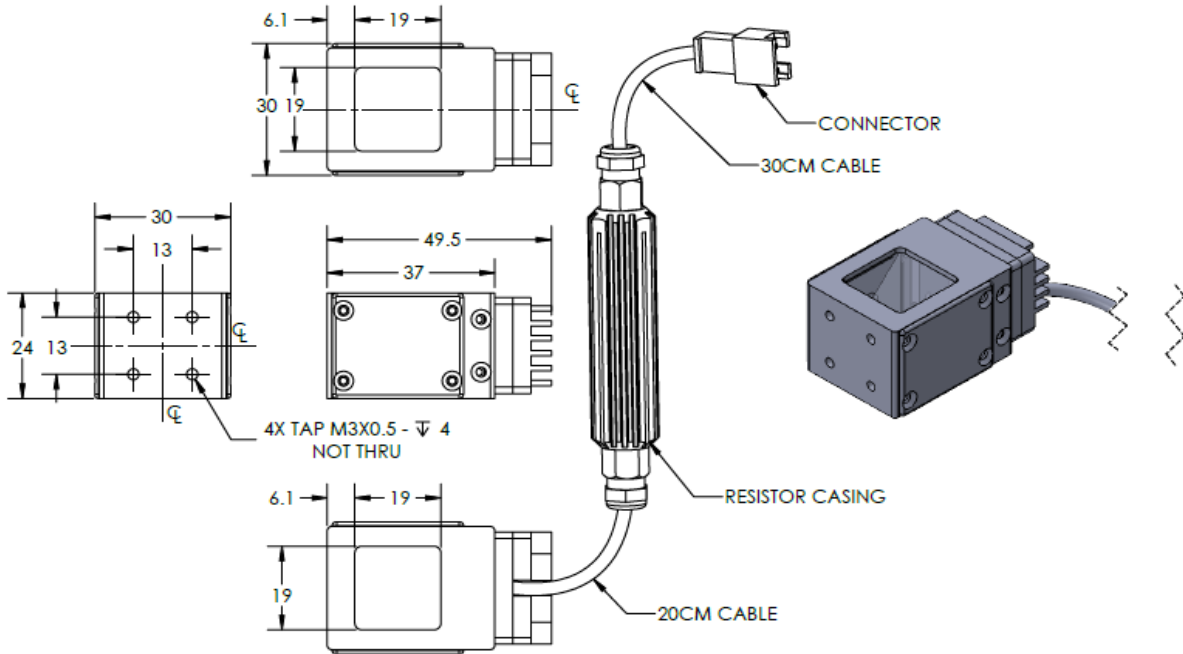




# ILLUMINATOR DATA-ID

## CASC-00-015-X-B-24V

### Lighting Dimension




Mechanical Information	
Casing Material	Aluminium
Storage Temperature Range	Temp 0-45°C, Humidity 20-85%
Weight	100 g
Length / Outer Diameter	49.5 mm
Width / Inner Diameter	30 mm
Thickness / Height	24 mm



# ILLUMINATOR DATA-ID

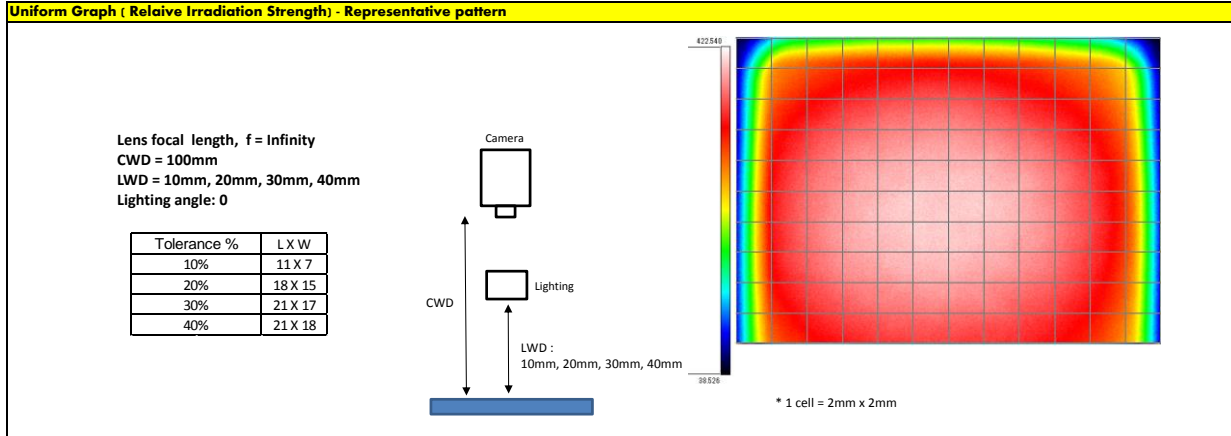
## CASC-00-015-X-B-24V

Optical Information					
Part Number	CASC-00-015-X-B-24V				
LED Color	BLUE				
Wavelength	(nm)	470			
Intensity (±15%)	(Lux)	1416	7610	5140	4940
Working Distance	(mm)	10	20	30	40
Illumination (number of row)	X				
Illumination Active Area					
Active Length / Outer Diameter	(mm)	19			
Active Width / Inner Diameter	(mm)	19			
Emission angle	(deg.)	0			
Eye Safety Class ( IEC62471 )	II				
Electrical Information					
Lighting Supply Voltage (constant voltage mode)	24V ± 2%				
Continuous Current	(mA)	90			
Power Consumption	(W)	2.16			
Lighting casing temperature, Operating after 60 minutes	°C	62			
Strobe Mode Specification					
Pulse Operation	YES				
Max. Lighting Supply Voltage (Constant voltage power supply)	(V)	Pulsing at 24VDC to 48VDC, 0-10% Duty Cycle, Recommended at 36VDC			
Pulse Current, (Max. 10msec) (Constant current power supply)	(mA)	270			
Max. Trigger Pulse Duration	(msec)	10			
Duty Cycle	0-10%				
Additional Information					
Additional Cooling Method	Attached to machine part for better heat dissipation				
Intensity Controller Selection	ANG, ST, SD and SDA Series				
CE Conformity	YES				
RoHS Compliance	YES				
Connection					
Connector Type (Default):	JST SMR-03V				
Cable Length out from lighting :	(mm)	500			
Pin Configuration :		Pin	Signal	Cable Color	
		1	LED +	RED	
		2	N.C.	---	
		3	LED -	WHITE	
					
Application					
Illumination Type	Coaxial Illumination				
Applicattion Use	Surface inspection and alignment, wafer, metal surface, film, LCD and glass, pattern on PCB.				



# ILLUMINATOR DATA-ID

## CASC-00-015-X-B-24V





**VISION CONSULTANCY**  
MAKING THE UNSEEN VISIBLE

Thank you for downloading this document from  
[www.machine-vision-shop.com](http://www.machine-vision-shop.com)

If you have any questions, you need help composing the  
right package for your application or do you want to order?

Feel free to contact us via e-mail at [sales@vision-consultancy.nl](mailto:sales@vision-consultancy.nl) or visit our webshop.

Our vision experts are happy to help you.



Natascha Overhof



Christian Cromptoets



**VISION CONSULTANCY**

Robert Schumandomein 2  
6229 ES Maastricht  
The Netherlands

+31 (0) 438 522 651

[sales@vision-consultancy.nl](mailto:sales@vision-consultancy.nl)  
[www.machine-vision-shop.com](http://www.machine-vision-shop.com)

Scan me to visit  
[machine-vision-shop](http://machine-vision-shop.com)

