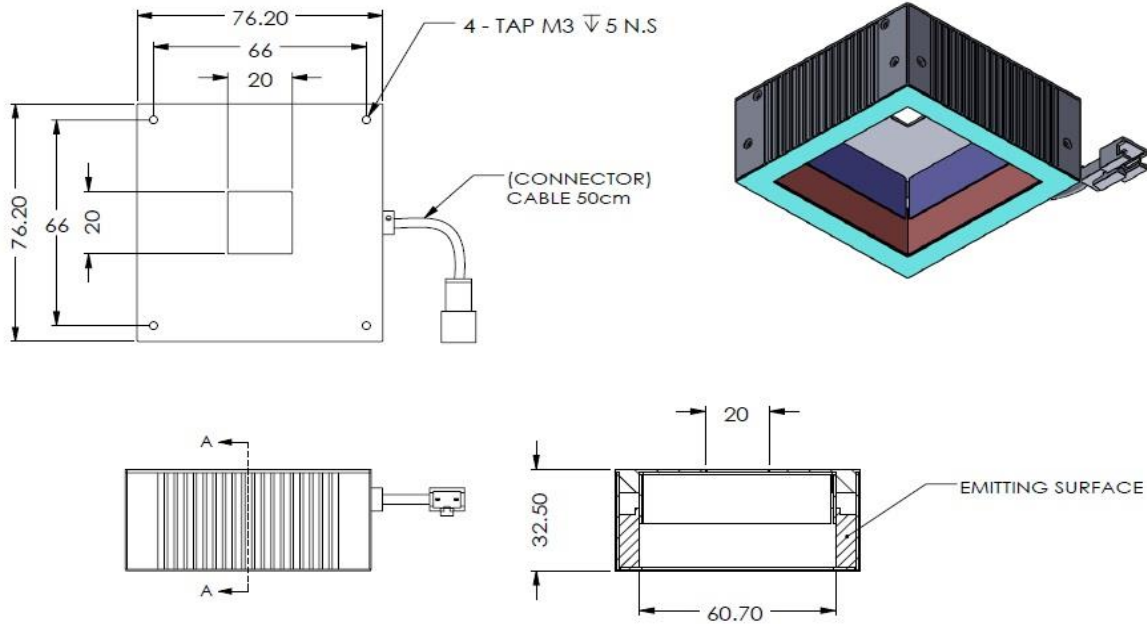




ILLUMINATOR DATA-ID

DLQ2-90-070-1-R-24V

Lighting Dimension




| Mechanical Information | |
|---------------------------|------------------------------|
| Casing Material | Aluminium |
| Storage Temperature Range | Temp 0-45°C, Humidity 20-85% |
| Weight | 150g |
| Length / Outer Diameter | 76.2mm |
| Width / Inner Diameter | 20 mm |
| Thickness / Height | 32.5 mm |



ILLUMINATOR DATA-ID

DLQ2-90-070-1-R-24V

| Optical Information | | | |
|--|---------------------|---|-------------|
| Part Number | DLQ2-90-070-1-R-24V | | |
| LED Color | RED | | |
| Wavelength | (nm) | 620 | |
| Intensity (±15%) | (Lux) | TBA | TBA |
| Working Distance | (mm) | 8 | 13 |
| Illumination (number of row) | | 1 | |
| Illumination Active Area | | | |
| Active Length / Outer Diameter | (mm) | 73.5 | |
| Active Width / Inner Diameter | (mm) | 20 | |
| Emission angle | (deg.) | 90 | |
| Eye Safety Class (IEC62471) | | EXEMPT | |
| Electrical Information | | | |
| Lighting Supply Voltage (constant voltage mode) | | 24V ± 2% | |
| Continuous Current | (mA) | 120 | |
| Power Consumption | (W) | 2.88 | |
| Lighting casing temperature, Operating after 60 minutes | °C | TBA | |
| Strobe Mode Specification | | | |
| Pulse Operation | | YES | |
| Max. Lighting Supply Voltage (Constant voltage power supply) | (V) | Pulsing at 24VDC to 48VDC, 0-10% Duty Cycle Recommended at 36VDC | |
| Pulse Current, (Max. 10msec) (Constant current power supply) | (mA) | 240 | |
| Max. Trigger Pulse Duration | (msec) | 10 | |
| Duty Cycle | | 0-10% | |
| Additional Information | | | |
| Additional Cooling Method | | Attached to machine part for better heat dissipation | |
| Intensity Controller Selection | | ANG, ST, SD and SDA Series | |
| CE Conformity | | YES | |
| RoHS Compliance | | YES | |
| Connection | | | |
| Connector Type (Default): | | JST SMR-03V | |
| Cable Length out from lighting : | (mm) | 500 | |
| Pin Configuration : | | Pin | Signal |
| | | 1 | LED + |
| | | 2 | N.C. |
| | | 3 | LED - |
| | | | Cable Color |
| | | | RED |
| | | | --- |
| | | | WHITE |
|  | | | |
| Application | | | |
| Illumination Type | | Diffused Illumination | |
| Applicattion Use | | BGA ball inspection and QFP lead inspection | |



VISION CONSULTANCY
MAKING THE UNSEEN VISIBLE

Thank you for downloading this document from
www.machine-vision-shop.com

If you have any questions, you need help composing the
right package for your application or do you want to order?

Feel free to contact us via e-mail at sales@vision-consultancy.nl or visit our webshop.

Our vision experts are happy to help you.



Natascha Overhof



Christian Cromptoets



VISION CONSULTANCY

Robert Schumandomein 2
6229 ES Maastricht
The Netherlands

+31 (0) 438 522 651

sales@vision-consultancy.nl
www.machine-vision-shop.com

Scan me to visit
[machine-vision-shop](http://machine-vision-shop.com)

