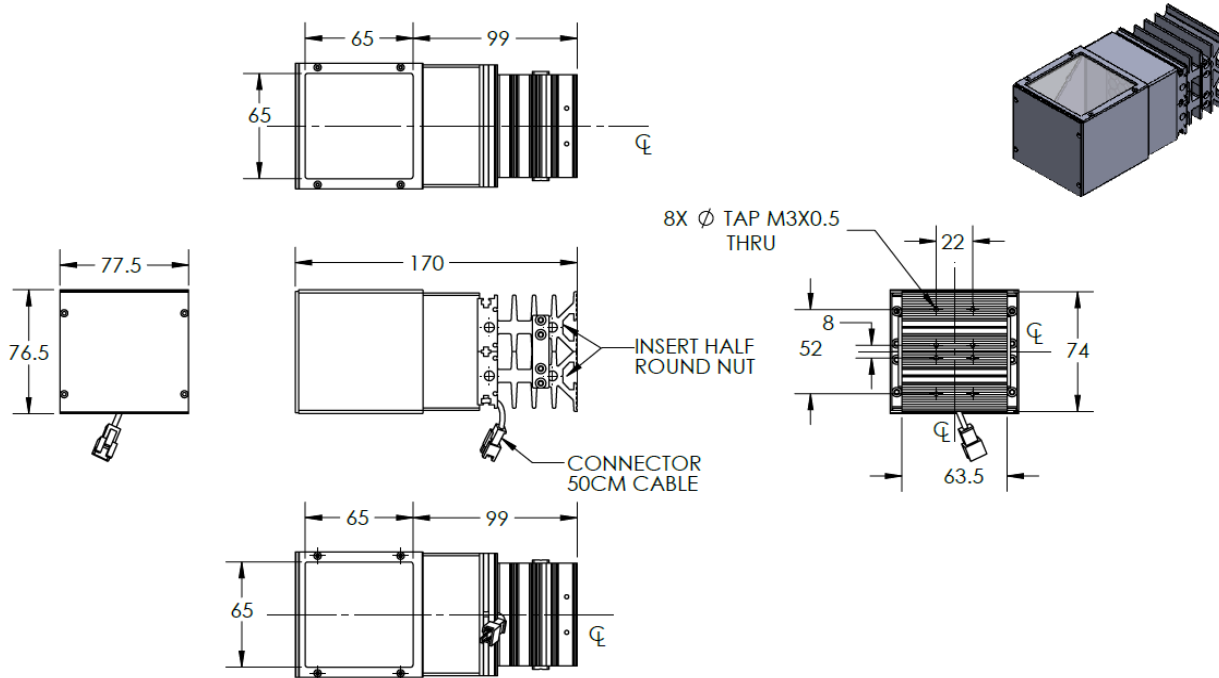




ILLUMINATOR DATA-ID

HCAS2-00-070-X-G-24V

Lighting Dimension




Mechanical Information	
Casing Material	Aluminium
Storage Temperature Range	Temp 0-45°C, Humidity 20-85%
Weight	796 g
Length / Outer Diameter	170 mm
Width / Inner Diameter	77.5 mm
Thickness / Height	76.5 mm



ILLUMINATOR DATA-ID

HCAS2-00-070-X-G-24V

Optical Information			
Part Number	HCAS2-00-070-X-G-24V		
LED Color	GREEN		
Wavelength (nm)	540		
Intensity (±15%) (Lux)	9030	7620	6840
Working Distance (mm)	100	110	120
Illumination (number of row)	X		
Illumination Active Area			
Active Length / Outer Diameter (mm)	65		
Active Width / Inner Diameter (mm)	65		
Emission angle (deg.)	0		
Eye Safety Class (IEC62471)	EXEMPT		
Electrical Information			
Lighting Supply Voltage (constant voltage mode)	24V ± 2%		
Continuous Current (mA)	750		
Power Consumption (W)	18		
Lighting casing temperature, Operating after 60 minutes (°C)	62.8		
Strobe Mode Specification			
Pulse Operation	YES		
Max. Lighting Supply Voltage (Constant voltage power supply) (V)	Pulsing at 24VDC to 48VDC, 0-10% Duty Cycle, Recommended at 36VDC		
Pulse Current, (Max. 10msec) (Constant current power supply) (mA)	2250		
Max. Trigger Pulse Duration (msec)	10		
Duty Cycle	0-10%		
Additional Information			
Additional Cooling Method	Attached to machine part for better heat dissipation		
Intensity Controller Selection	ANG, ST, SD and SDA Series		
CE Conformity	YES		
RoHS Compliance	YES		
Connection			
Connector Type (Default):	JST SMR-03V		
Cable Length out from lighting : (mm)	500		
Pin Configuration :	Pin	Signal	Cable Color
	1	LED +	RED
	2	N.C.	---
	3	LED -	WHITE
			
Application			
Illumination Type	Coaxial Illumination		
Applicattion Use	Surface inspection and alignment, wafer, metal surface, film, LCD and glass, pattern on PCB.		



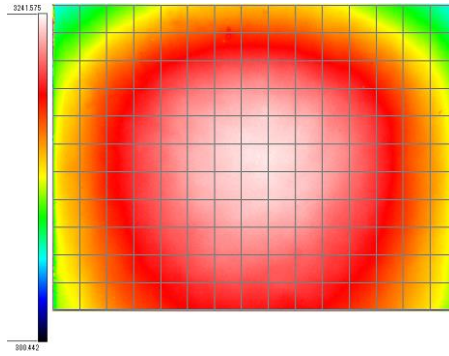
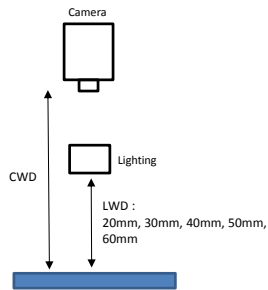
ILLUMINATOR DATA-ID

HCAS2-00-070-X-G-24V

Uniform Graph (Relative Irradiation Strength) - Representative pattern

Lens focal length, $f = 0.5$
CWD = 193mm
LWD = 20mm, 30mm, 40mm, 50mm, 60mm
Lighting angle: 0

Tolerance %	L X W
10%	30 X 29
20%	48 X 46
30%	59 X 52
40%	70 X 56



* 1 cell = 5mm x 5mm



VISION CONSULTANCY
MAKING THE UNSEEN VISIBLE

Thank you for downloading this document from
www.machine-vision-shop.com

If you have any questions, you need help composing the
right package for your application or do you want to order?

Feel free to contact us via e-mail at sales@vision-consultancy.nl or visit our webshop.

Our vision experts are happy to help you.



Natascha Overhof



Christian Cromptvoets



VISION CONSULTANCY

Robert Schumandomein 2
6229 ES Maastricht
The Netherlands

+31 (0) 438 522 651

sales@vision-consultancy.nl
www.machine-vision-shop.com

Scan me to visit
[machine-vision-shop](http://machine-vision-shop.com)

