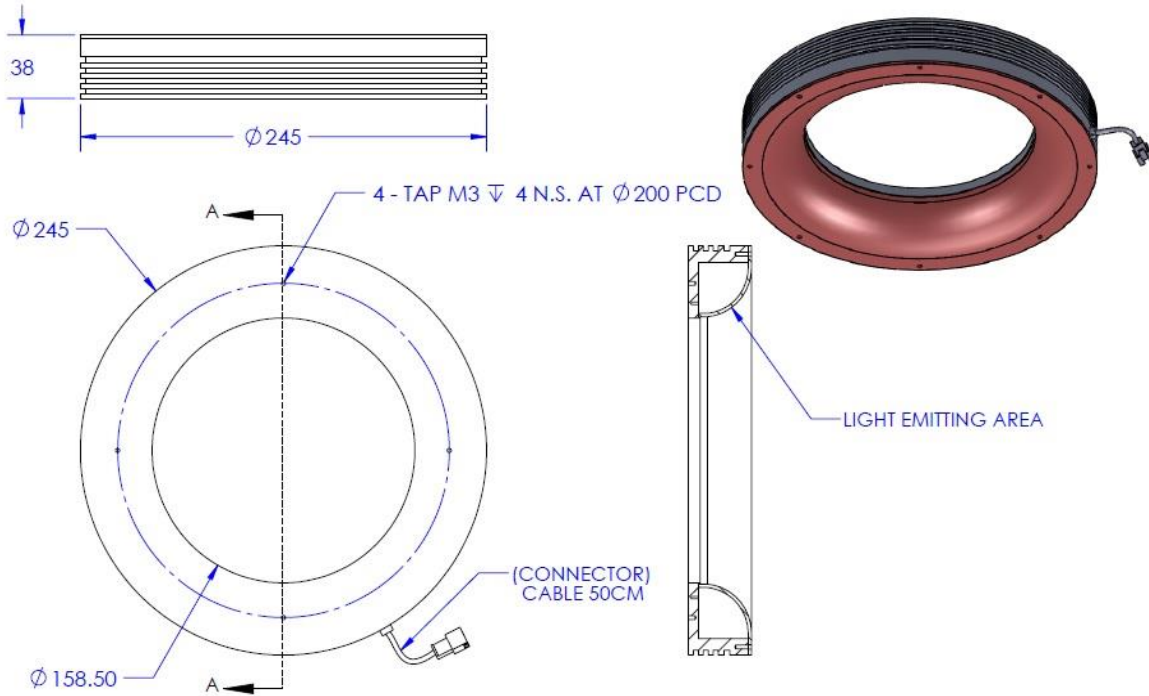




ILLUMINATOR DATA-ID

HPD-00-240-1-R-24V

Lighting Dimension




Mechanical Information	
Casing Material	Aluminium
Storage Temperature Range	Temp 0-45°C, Humidity 20-85%
Weight	1180 g
Length / Outer Diameter	245 mm
Width / Inner Diameter	158.5 mm
Thickness / Height	38 mm



ILLUMINATOR DATA-ID

HPD-00-240-1-R-24V

Optical Information							
Part Number		HPD-00-240-1-R-24V					
LED Color		RED					
Wavelength	(nm)	630					
Intensity (±15%)	(Lux)	2410	3200	3790	4180	4320	-
Working Distance	(mm)	20	30	40	50	80	-
Illumination (number of row)		7					
Illumination Active Area							
Active Length / Outer Diameter	(mm)	160					
Active Width / Inner Diameter	(mm)	225					
Emission angle	(deg.)	0					
Eye Safety Class (IEC62471)		EXEMPT					
Electrical Information							
Lighting Supply Voltage (constant voltage mode)		24V ± 2%					
Continuous Current	(mA)	1050					
Power Consumption	(W)	25.2					
Lighting casing temperature, Operating after 60 minutes	°C	53.9					
Strobe Mode Specification							
Pulse Operation		YES					
Max. Lighting Supply Voltage (Constant voltage power supply)	(V)	Pulsing at 24VDC to 48VDC, 0-10% Duty Cycle Recommended at 36VDC					
Pulse Current, (Max. 10msec) (Constant current power supply)	(mA)	3150					
Max. Trigger Pulse Duration	(msec)	10					
Duty Cycle		0-10%					
Additional Information							
Additional Cooling Method		Attached to machine part for better heat dissipation					
Intensity Controller Selection		ANGX, ST, SD and SDA Series					
CE Conformity		YES					
RoHS Compliance		YES					
Connection							
Connector Type (Default):		JST SMR-03V					
Cable Length out from lighting :	(mm)	500					
Pin Configuration :		Pin	Signal	Cable Color			
		1	LED +	RED			
		2	N.C.	---			
		3	LED -	WHITE			
							
Application							
Illumination Type		Indirect Illumination					
Application Use		Shining surface and food packaging					



VISION CONSULTANCY
MAKING THE UNSEEN VISIBLE

Thank you for downloading this document from
www.machine-vision-shop.com

If you have any questions, you need help composing the
right package for your application or do you want to order?

Feel free to contact us via e-mail at sales@vision-consultancy.nl or visit our webshop.

Our vision experts are happy to help you.



Natascha Overhof



Christian Cromptvoets



VISION CONSULTANCY

Robert Schumandomein 2
6229 ES Maastricht
The Netherlands

+31 (0) 438 522 651

sales@vision-consultancy.nl
www.machine-vision-shop.com

Scan me to visit
[machine-vision-shop](http://machine-vision-shop.com)

