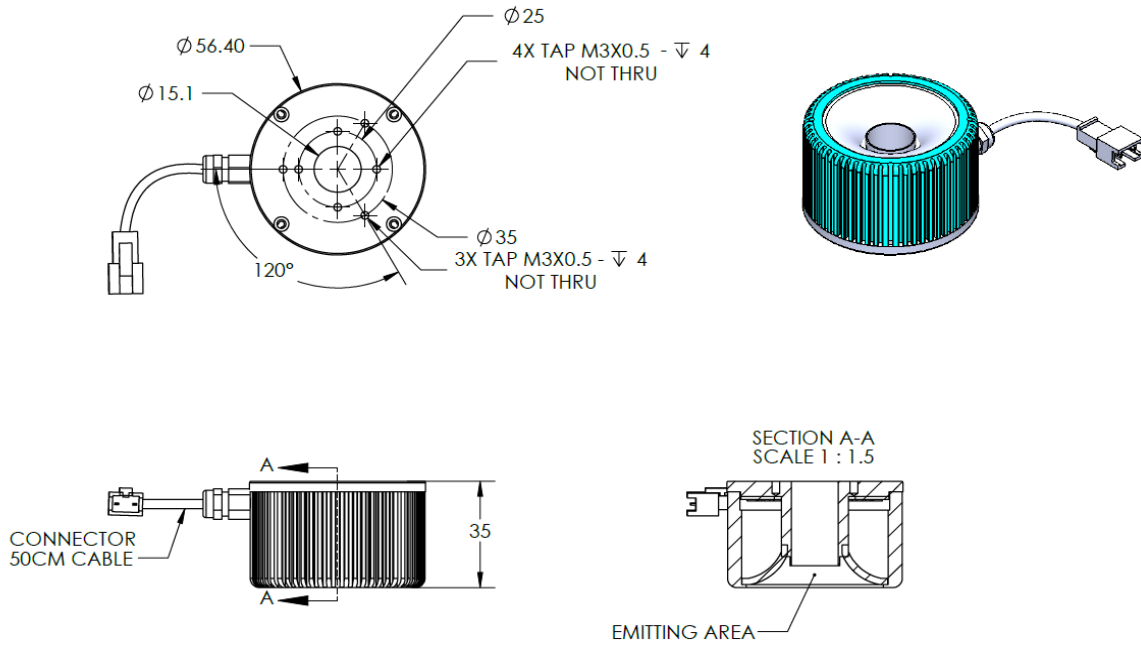




# ILLUMINATOR DATA-ID

## HPD2-00-050-1-R-24V

### Lighting Dimension




Mechanical Information	
Casing Material	Aluminium
Storage Temperature Range	Temp 0-45°C, Humidity 20-85%
Weight	100 g
Length / Outer Diameter	56.4 mm
Width / Inner Diameter	15.1 mm
Thickness / Height	35 mm



# ILLUMINATOR DATA-ID

## HPD2-00-050-1-R-24V

Optical Information			
Part Number	HPD2-00-050-1-R-24V		
LED Color	RED		
Wavelength	(nm)	650	
Intensity (±15%)	(Lux)	9869	5694 1369
Working Distance	(mm)	5	20 63
Illumination (number of row)	1		
Illumination Active Area			
Active Length / Outer Diameter	(mm)	44.4	
Active Width / Inner Diameter	(mm)	17.2	
Emission angle	(deg.)	0-90	
Eye Safety Class ( IEC62471 )	EXEMPT		
Electrical Information			
Lighting Supply Voltage (constant voltage mode)	24V ± 2%		
Continuous Current	(mA)	120	
Power Consumption	(W)	2.88	
Lighting casing temperature, Operating after 60 minutes	°C	52	
Strobe Mode Specification			
Pulse Operation	YES		
Max. Lighting Supply Voltage (Constant voltage power supply)	(V)	Pulsing at 24VDC to 48VDC, 0-10% Duty Cycle, Recommended at 36VDC	
Pulse Current, (Max. 10msec) (Constant current power supply)	(mA)	360	
Max. Trigger Pulse Duration	(msec)	10	
Duty Cycle	0-10%		
Additional Information			
Additional Cooling Method	Attached to machine part for better heat dissipation		
Intensity Controller Selection	ANG, ST, SD and SDA Series		
CE Conformity	YES		
RoHS Compliance	YES		
Connection			
Connector Type (Default):	JST SMR-03V		
Cable Length out from lighting :	(mm)	500	
Pin Configuration :	Pin	Signal	Cable Color
	1	LED +	RED
	2	N.C.	---
	3	LED -	WHITE
			
Application			
Illumination Type	Indirect Illumination		
Applicattion Use	Shining surface and food packaging		

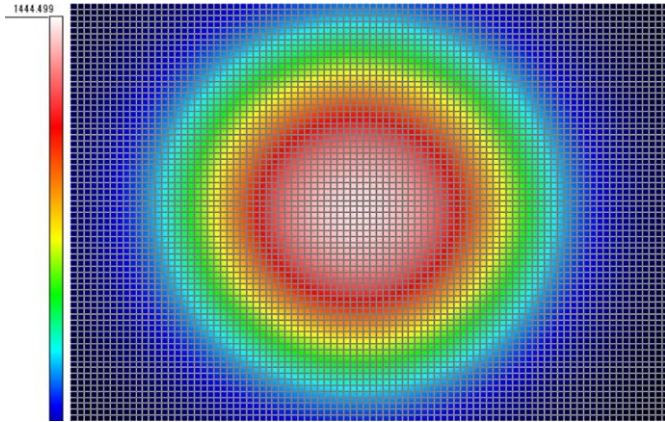


# ILLUMINATOR DATA-ID

## HPD2-00-050-1-R-24V

Uniform Graph ( Relative Irradiation Strength) - Representative pattern

WD	Tolerance	Diameter
20mm	10%	16mm
20mm	20%	27mm
20mm	30%	34mm





**VISION CONSULTANCY**  
MAKING THE UNSEEN VISIBLE

Thank you for downloading this document from  
[www.machine-vision-shop.com](http://www.machine-vision-shop.com)

If you have any questions, you need help composing the  
right package for your application or do you want to order?

Feel free to contact us via e-mail at [sales@vision-consultancy.nl](mailto:sales@vision-consultancy.nl) or visit our webshop.

Our vision experts are happy to help you.



Natascha Overhof



Christian Cromptvoets



**VISION CONSULTANCY**

Robert Schumandomein 2  
6229 ES Maastricht  
The Netherlands

+31 (0) 438 522 651

[sales@vision-consultancy.nl](mailto:sales@vision-consultancy.nl)  
[www.machine-vision-shop.com](http://www.machine-vision-shop.com)

Scan me to visit  
[machine-vision-shop](http://machine-vision-shop.com)

