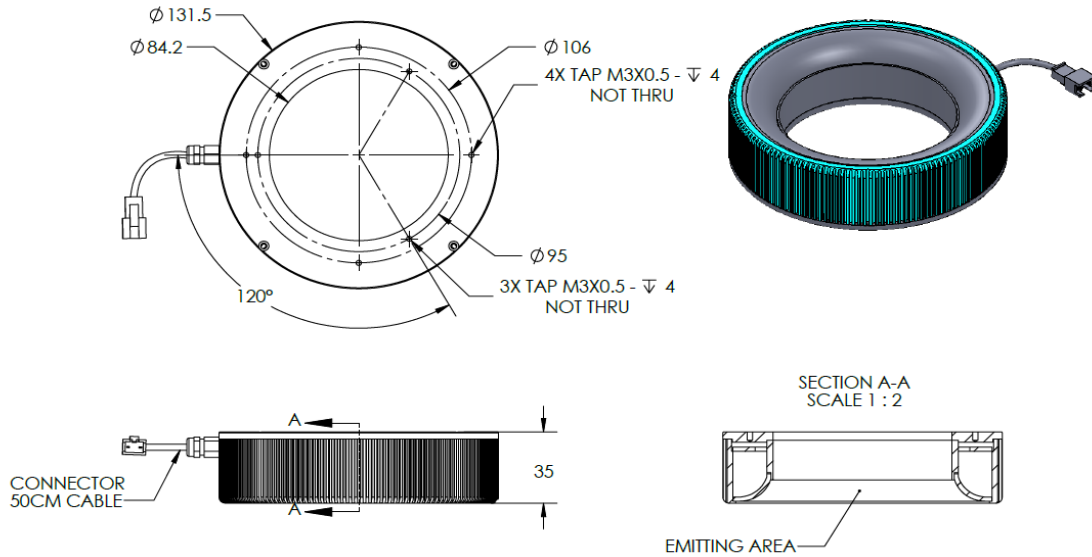




# ILLUMINATOR DATA-ID

## HPD2-00-130-1-R-24V

### Lighting Dimension




Mechanical Information	
Casing Material	Aluminium
Storage Temperature Range	Temp 0-45°C, Humidity 20-85%
Weight	275 g
Length / Outer Diameter	131.5 mm
Width / Inner Diameter	84.2 mm
Thickness / Height	35 mm



# ILLUMINATOR DATA-ID

## HPD2-00-130-1-R-24V

Optical Information				
Part Number		HPD2-00-130-1-R-24V		
LED Color		RED		
Wavelength	(nm)	650nm (Peak)		
Intensity (±15%)	(Lux)	2868	2457	821
Working Distance	(mm)	26	62	157
Illumination (number of row)		1		
Illumination Active Area				
Active Length / Outer Diameter	(mm)	119.5		
Active Width / Inner Diameter	(mm)	86.2		
Emission angle	(deg.)	0-90		
Eye Safety Class ( IEC62471 )		EXEMPT		
Electrical Information				
Lighting Supply Voltage (constant voltage mode)		24V ± 2%		
Continuous Current	(mA)	360		
Power Consumption	(W)	8.64		
Lighting casing temperature, Operating after 60 minutes	°C	53		
Strobe Mode Specification				
Pulse Operation		YES		
Max. Lighting Supply Voltage (Constant voltage power supply)	(V)	Pulsing at 24VDC to 48VDC, 0-10% Duty Cycle, Recommended at 36VDC		
Pulse Current, (Max. 10msec) (Constant current power supply)	(mA)	1080		
Max. Trigger Pulse Duration	(msec)	10		
Duty Cycle		0-10%		
Additional Information				
Additional Cooling Method		Attached to machine part for better heat dissipation		
Intensity Controller Selection		ANG, ST, SD and SDA Series		
CE Conformity		YES		
RoHS Compliance		YES		
Connection				
Connector Type (Default):		JST SMR-03V		
Cable Length out from lighting :	(mm)	500		
Pin Configuration :		Pin	Signal	Cable Color
		1	LED +	RED
		2	N.C.	---
		3	LED -	WHITE
				
Application				
Illumination Type		Indirect Illumination		
Application Use		Shining surface and food packaging		

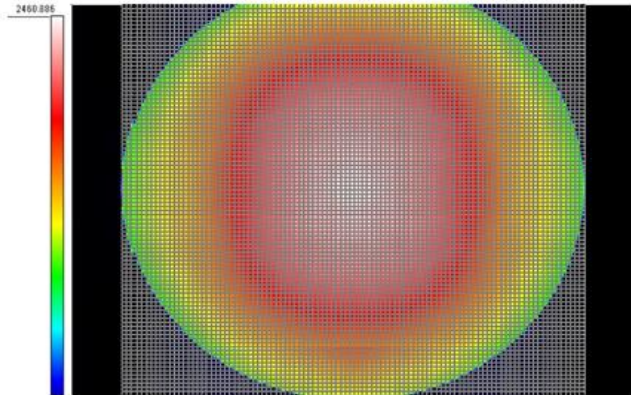


# ILLUMINATOR DATA-ID

## HPD2-00-130-1-R-24V

Uniform Graph ( Relative Irradiation Strength) - Representative pattern

WD	Tolerance	Diameter
62mm	10%	23mm
62mm	20%	43mm
62mm	30%	57mm





**VISION CONSULTANCY**  
MAKING THE UNSEEN VISIBLE

Thank you for downloading this document from  
[www.machine-vision-shop.com](http://www.machine-vision-shop.com)

If you have any questions, you need help composing the  
right package for your application or do you want to order?

Feel free to contact us via e-mail at [sales@vision-consultancy.nl](mailto:sales@vision-consultancy.nl) or visit our webshop.

Our vision experts are happy to help you.



Natascha Overhof



Christian Cromptvoets



**VISION CONSULTANCY**

Robert Schumandomein 2  
6229 ES Maastricht  
The Netherlands

+31 (0) 438 522 651

[sales@vision-consultancy.nl](mailto:sales@vision-consultancy.nl)  
[www.machine-vision-shop.com](http://www.machine-vision-shop.com)

Scan me to visit  
[machine-vision-shop](http://machine-vision-shop.com)

