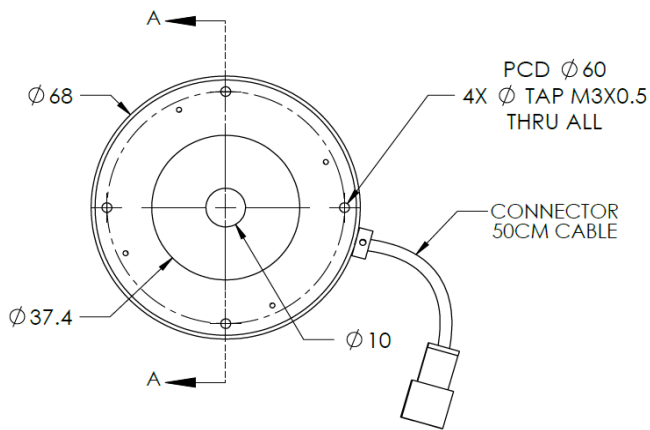
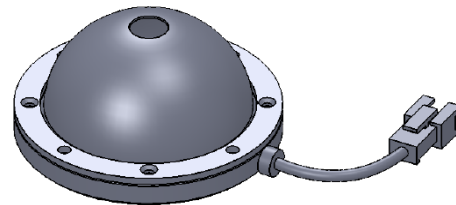
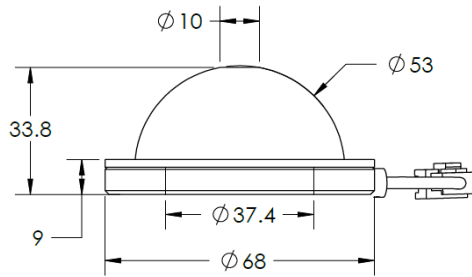




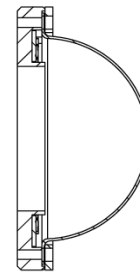
ILLUMINATOR DATA-ID

IDS5-00-050-1-W-24V

Lighting Dimension



SECTION A-A




Mechanical Information	
Casing Material	Aluminium
Storage Temperature Range	Temp 0-45°C, Humidity 20-85%
Weight	78 g
Length / Outer Diameter	68 mm
Width / Inner Diameter	10 mm
Thickness / Height	33.8 mm



ILLUMINATOR DATA-ID

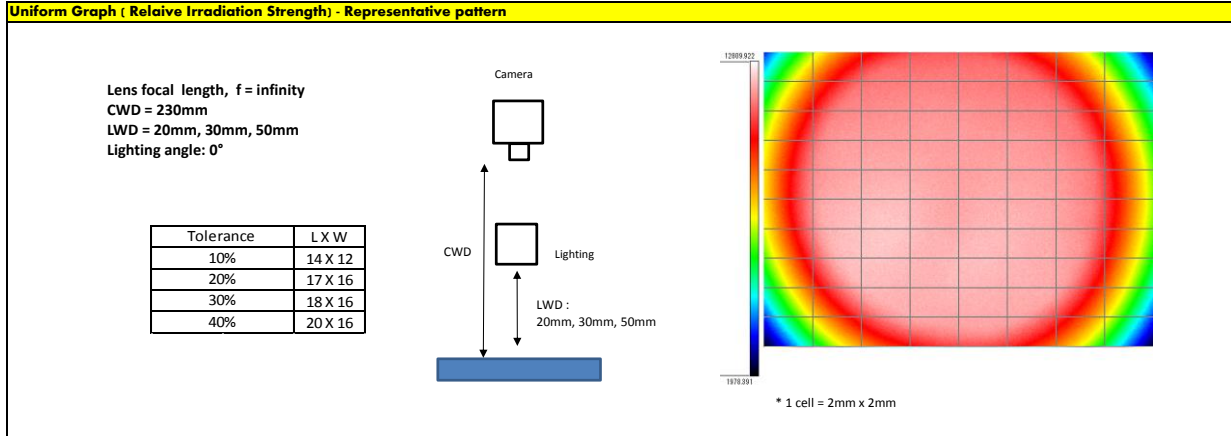
IDS5-00-050-1-W-24V

Optical Information		IDS5-00-050-1-W-24V																						
Part Number		IDS5-00-050-1-W-24V																						
LED Color		WHITE																						
Wavelength	(nm)	*Refer to the Chromaticity Table below																						
Intensity (±15%)	(Lux)	97000	43100	23800																				
Working Distance	(mm)	20	30	50																				
Illumination (number of row)		1																						
Illumination Active Area																								
Active Length / Outer Diameter	(mm)	37.4																						
Active Width / Inner Diameter	(mm)	10																						
Emission angle	(deg.)	0																						
Eye Safety Class (IEC62471)		EXEMPT																						
*CHROMATICITY TABLE		<table border="1"> <tr> <td>X</td> <td>0.296</td> <td>0.287</td> <td>0.307</td> <td>0.311</td> </tr> <tr> <td>Y</td> <td>0.276</td> <td>0.295</td> <td>0.315</td> <td>0.294</td> </tr> </table>	X	0.296	0.287	0.307	0.311	Y	0.276	0.295	0.315	0.294	<table border="1"> <tr> <td>X</td> <td>0.311</td> <td>0.307</td> <td>0.33</td> <td>0.33</td> </tr> <tr> <td>Y</td> <td>0.294</td> <td>0.315</td> <td>0.339</td> <td>0.318</td> </tr> </table>	X	0.311	0.307	0.33	0.33	Y	0.294	0.315	0.339	0.318	
X	0.296	0.287	0.307	0.311																				
Y	0.276	0.295	0.315	0.294																				
X	0.311	0.307	0.33	0.33																				
Y	0.294	0.315	0.339	0.318																				
Electrical Information																								
Lighting Supply Voltage (constant voltage mode)		24V ± 2%																						
Continuous Current	(mA)	315																						
Power Consumption	(W)	7.56																						
Lighting casing temperature, Operating after 60 minutes	°C	56																						
Strobe Mode Specification																								
Pulse Operation		YES																						
Max. Lighting Supply Voltage (Constant voltage power supply)	(V)	Pulsing at 24VDC to 48VDC, 0-10% Duty Cycle, Recommended at 36VDC																						
Pulse Current, (Max. 10msec) (Constant current power supply)	(mA)	945																						
Max. Trigger Pulse Duration	(msec)	10																						
Duty Cycle		0-10%																						
Additional Information																								
Additional Cooling Method		Attached to machine part for better heat dissipation																						
Intensity Controller Selection		ANG, ST, SD and SDA Series																						
CE Conformity		YES																						
RoHS Compliance		YES																						
Connection																								
Connector Type (Default):		JST SMR-03V																						
Cable Length out from lighting :	(mm)	500																						
Pin Configuration :		Pin	Signal	Cable Color																				
		1	LED +	RED																				
		2	N.C.	---																				
		3	LED -	WHITE																				
																								
Application																								
Illumination Type		Indirect Illumination																						
Applicattion Use		Crack, chip, stains on circular or cylindrical objects, solder inspection and subtract inspection.																						



ILLUMINATOR DATA-ID

IDS5-00-050-1-W-24V





VISION CONSULTANCY
MAKING THE UNSEEN VISIBLE

Thank you for downloading this document from
www.machine-vision-shop.com

If you have any questions, you need help composing the
right package for your application or do you want to order?

Feel free to contact us via e-mail at sales@vision-consultancy.nl or visit our webshop.

Our vision experts are happy to help you.



Natascha Overhof



Christian Cromptvoets



VISION CONSULTANCY

Robert Schumandomein 2
6229 ES Maastricht
The Netherlands

+31 (0) 438 522 651

sales@vision-consultancy.nl
www.machine-vision-shop.com

Scan me to visit
[machine-vision-shop](http://machine-vision-shop.com)

