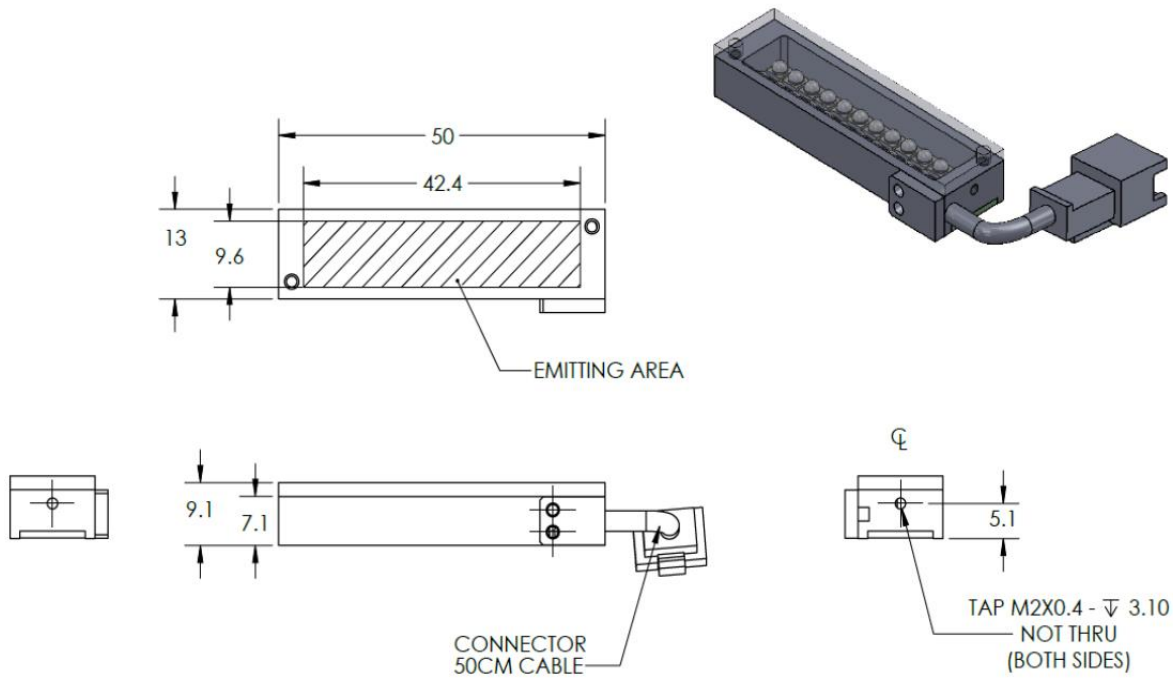




ILLUMINATOR DATA (ID)

LBM-00-040-2-G-24V

Lighting Dimension




Mechanical Information	
Casing Material	Aluminium
Storage Temperature Range	Temp 0-45°C, Humidity 20-85%
Weight	21 g
Length / Outer Diameter	50 mm
Width / Inner Diameter	13 mm
Thickness / Height	9.1 mm



ILLUMINATOR DATA-

LBM-00-040-2-G-24V

Optical Information				
Part Number	LBM-00-040-2-G-24V			
LED Color	GREEN			
Wavelength	(nm)	525		
Intensity (±15)	(Lux)	TBA	TBA	TBA
Working Distance	(mm)	10	15	20
Illumination (number of row)	2			
Illumination Active Area				
Active Length / Outer Dia.	(mm)	42.4		
Active Width / Inner Dia.	(mm)	9.6		
Emission angle	(deg.)	0		
Eye Safety Class (IEC62471)	EXEMPT			
*CHROMATICITY TABLE				
Electrical Information				
Lighting Supply Voltage (constant voltage mode)	24V ± 2%			
Continuous Current	(mA)	52		
Power Consumption	(W)	1.248		
Lighting casing temperature, Operating after 60 minutes	°C	38.4		
Strobe Mode Specification				
Pulse Operation	YES			
Max. Lighting Supply Voltage (Constant voltage power supply)	(V)	Pulsing at 24VDC to 48VDC, 0-10% Duty Cycle Recommended at 36VDC		
Pulse Current, (Max. 10msec) (Constant current power supply)	(mA)	156		
Max. Trigger Pulse Duration	(msec)	10		
Duty Cycle	0-10%			
Additional Information				
Additional Cooling Method	Attached to machine part for better heat dissipation			
Intensity Controller Selection	ANG, SD, ST & SDA series			
CE Conformity	YES			
RoHS Compliance	YES			
Connection				
Connector Type (Default):	JST SMR-03V			
Cable Length out from lighting :	(mm)	500		
Pin Configuration :		Pin	Signal	Cable Color
		1	LED +	RED
		2	N.C.	---
		3	LED -	WHITE
				
Application				
Illumination Type	Direct Illumination			
Application Use	General illumination, label inspection, character inspection, code recognition			



VISION CONSULTANCY
MAKING THE UNSEEN VISIBLE

Thank you for downloading this document from
www.machine-vision-shop.com

If you have any questions, you need help composing the
right package for your application or do you want to order?

Feel free to contact us via e-mail at sales@vision-consultancy.nl or visit our webshop.

Our vision experts are happy to help you.



Natascha Overhof



Christian Cromptoets



VISION CONSULTANCY

Robert Schumandomein 2
6229 ES Maastricht
The Netherlands

+31 (0) 438 522 651

sales@vision-consultancy.nl
www.machine-vision-shop.com

Scan me to visit
[machine-vision-shop](http://machine-vision-shop.com)

