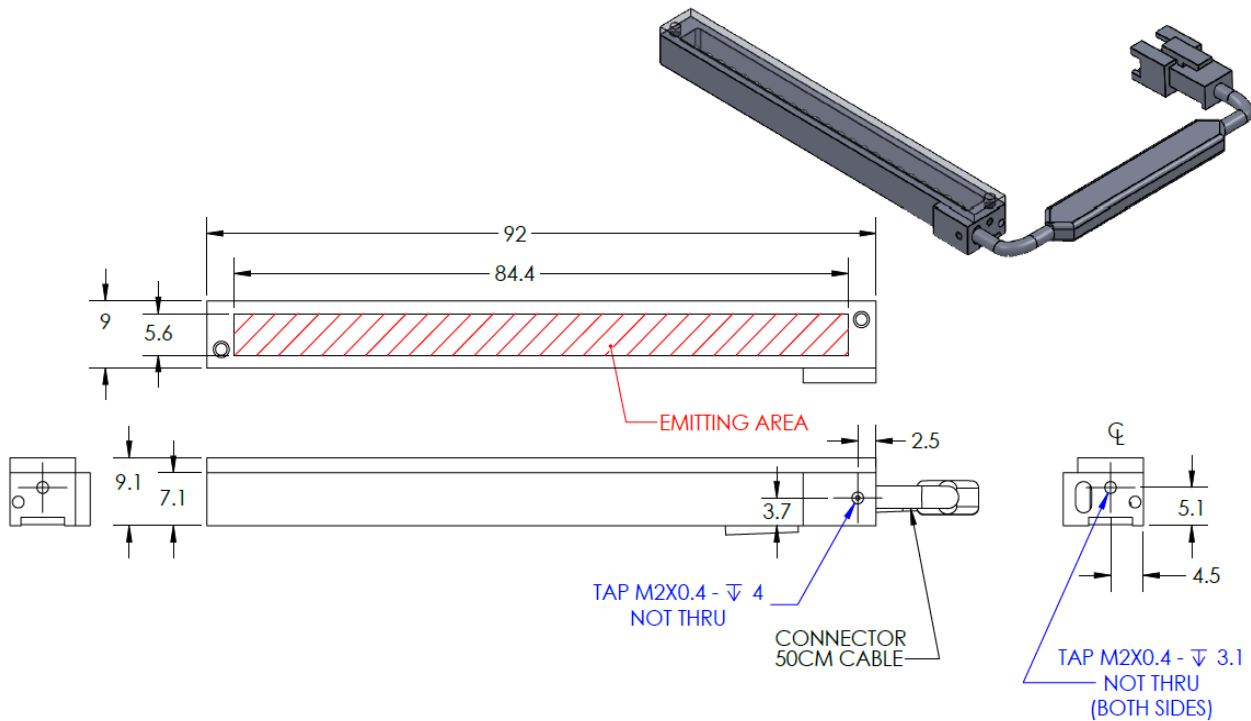




# ILLUMINATOR DATA (ID)

## LBM-00-080-1-G-24V

### Lighting Dimension




Mechanical Information	
Casing Material	Aluminium
Storage Temperature Range	Temp 0-45°C, Humidity 20-85%
Weight	25 g
Length / Outer Diameter	92 mm
Width / Inner Diameter	9 mm
Thickness / Height	9.1 mm



# ILLUMINATOR DATA-

## LBM-00-080-1-G-24V

Optical Information			
Part Number	LBM-00-080-1-G-24V		
LED Color	GREEN		
Wavelength	(nm)	525	
Intensity (±15)	(Lux)	TBA	TBA
Working Distance	(mm)	10	20
Working Distance	(mm)		30
Illumination (number of row)	1		
Illumination Active Area			
Active Length / Outer Dia.	(mm)	84.4	
Active Width / Inner Dia.	(mm)	5.6	
Emission angle	(deg.)	0	
Eye Safety Class ( IEC62471 )	EXEMPT		
*CHROMATICITY TABLE			
Electrical Information			
Lighting Supply Voltage (constant voltage mode)		24V ± 2%	
Continuous Current	(mA)	54	
Power Consumption	(W)	1.296	
Lighting casing temperature, Operating after 60 minutes	°C	49.2	
Strobe Mode Specification			
Pulse Operation		YES	
Max. Lighting Supply Voltage (Constant voltage power supply)	(V)	Pulsing at 24VDC to 48VDC, 0-10% Duty Cycle Recommended at 36VDC	
Pulse Current, (Max. 10msec) (Constant current power supply)	(mA)	162	
Max. Trigger Pulse Duration	(msec)	10	
Duty Cycle		0-10%	
Additional Information			
Additional Cooling Method		Attached to machine part for better heat dissipation	
Intensity Controller Selection		ANG, SD, ST & SDA series	
CE Conformity		YES	
RoHS Compliance		YES	
Connection			
Connector Type (Default):		JST SMR-03V	
Cable Length out from lighting :	(mm)	500	
Pin Configuration :		Pin	Signal
		1	LED +
		2	N.C.
		3	LED -
			Cable Color
			RED
			---
			WHITE
			
Application			
Illumination Type	Direct Illumination		
Application Use	General illumination, label inspection, character inspection, code recognition		



**VISION CONSULTANCY**  
MAKING THE UNSEEN VISIBLE

Thank you for downloading this document from  
[www.machine-vision-shop.com](http://www.machine-vision-shop.com)

If you have any questions, you need help composing the  
right package for your application or do you want to order?

Feel free to contact us via e-mail at [sales@vision-consultancy.nl](mailto:sales@vision-consultancy.nl) or visit our webshop.

Our vision experts are happy to help you.



Natascha Overhof



Christian Cromptvoets



**VISION CONSULTANCY**

Robert Schumandomein 2  
6229 ES Maastricht  
The Netherlands

+31 (0) 438 522 651

[sales@vision-consultancy.nl](mailto:sales@vision-consultancy.nl)  
[www.machine-vision-shop.com](http://www.machine-vision-shop.com)

Scan me to visit  
[machine-vision-shop](http://machine-vision-shop.com)

