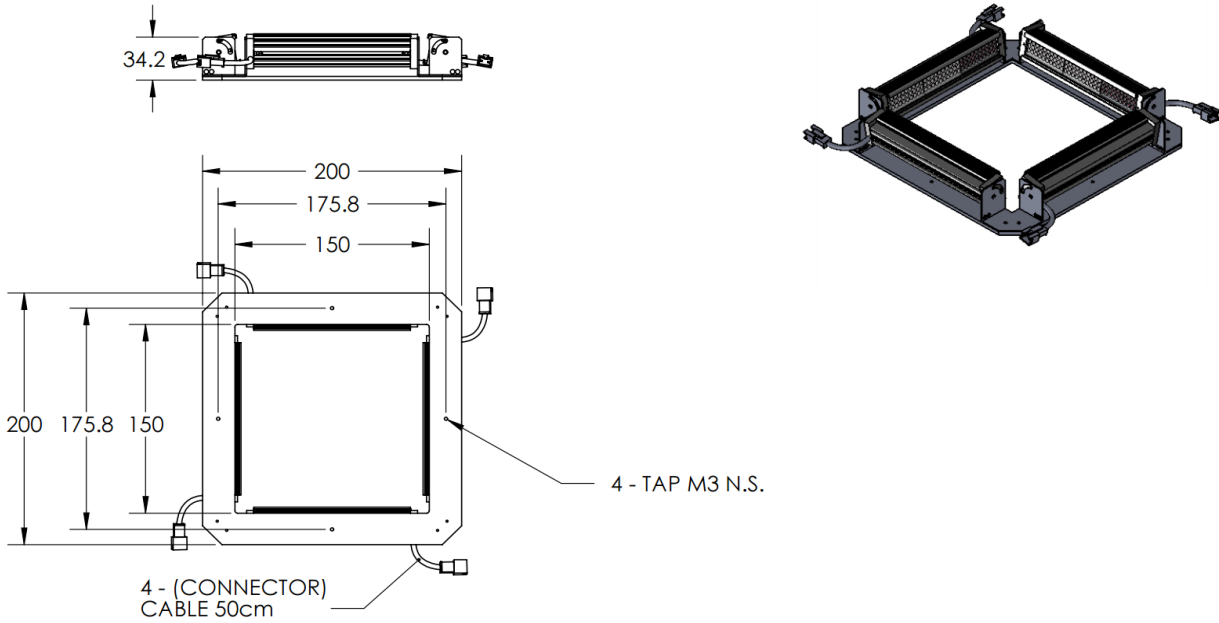




ILLUMINATOR DATA-ID

LBRQ-00-120-3-W-24V

Lighting Dimension




| Mechanical Information | |
|---------------------------|--------------------------------|
| Casing Material | Aluminium |
| Storage Temperature Range | Temp 0 - 45°C, Humidity 20-85% |
| Weight | 595 g |
| Length / Outer Diameter | 200 mm |
| Width / Inner Diameter | 150 mm |
| Thickness / Height | 34.2 mm |



ILLUMINATOR DATA-ID

LBRQ-00-120-3-W-24V

| Optical Information | | LBRQ-00-120-3-W-24V | | | | | | | | | | | | | | | | | | | | | | | |
|--|--------|---|--------|-------------|---|-------|-------|-------|-------|-------|---|-------|-------|------|------|---|-------|-------|-------|-------|---|-------|-------|-------|-------|
| Part Number | | LBRQ-00-120-3-W-24V | | | | | | | | | | | | | | | | | | | | | | | |
| LED Color | | WHITE | | | | | | | | | | | | | | | | | | | | | | | |
| Wavelength | (nm) | * Refer to the Chromaticity Table Below | | | | | | | | | | | | | | | | | | | | | | | |
| Intensity (±15%) | (Lux) | 4880 | 4760 | 4630 | | | | | | | | | | | | | | | | | | | | | |
| Working Distance | (mm) | 223 | 236 | 247 | | | | | | | | | | | | | | | | | | | | | |
| Illumination (number of row) | | 3 | | | | | | | | | | | | | | | | | | | | | | | |
| Illumination Active Area | | | | | | | | | | | | | | | | | | | | | | | | | |
| Active Length / Outer Diameter | (mm) | 200 | | | | | | | | | | | | | | | | | | | | | | | |
| Active Width / Inner Diameter | (mm) | 150 | | | | | | | | | | | | | | | | | | | | | | | |
| Emission angle | (deg.) | 0 | | | | | | | | | | | | | | | | | | | | | | | |
| Eye Safety Class (IEC62471) | | EXEMPT | | | | | | | | | | | | | | | | | | | | | | | |
| *CHROMATICITY TABLE | | <table border="1"> <tr> <td>X</td> <td>0.296</td> <td>0.287</td> <td>0.307</td> <td>0.311</td> <td>X</td> <td>0.311</td> <td>0.307</td> <td>0.33</td> <td>0.33</td> </tr> <tr> <td>Y</td> <td>0.276</td> <td>0.295</td> <td>0.315</td> <td>0.294</td> <td>Y</td> <td>0.294</td> <td>0.315</td> <td>0.339</td> <td>0.318</td> </tr> </table> | | | | X | 0.296 | 0.287 | 0.307 | 0.311 | X | 0.311 | 0.307 | 0.33 | 0.33 | Y | 0.276 | 0.295 | 0.315 | 0.294 | Y | 0.294 | 0.315 | 0.339 | 0.318 |
| X | 0.296 | 0.287 | 0.307 | 0.311 | X | 0.311 | 0.307 | 0.33 | 0.33 | | | | | | | | | | | | | | | | |
| Y | 0.276 | 0.295 | 0.315 | 0.294 | Y | 0.294 | 0.315 | 0.339 | 0.318 | | | | | | | | | | | | | | | | |
| Electrical Information | | | | | | | | | | | | | | | | | | | | | | | | | |
| Lighting Supply Voltage (constant voltage mode) | | 24V ± 2% | | | | | | | | | | | | | | | | | | | | | | | |
| Continuous Current | (mA) | 504 | | | | | | | | | | | | | | | | | | | | | | | |
| Power Consumption | (W) | 12.1 | | | | | | | | | | | | | | | | | | | | | | | |
| Lighting casing temperature, Operating after 60 minutes | °C | 39 | | | | | | | | | | | | | | | | | | | | | | | |
| Strobe Mode Specification | | | | | | | | | | | | | | | | | | | | | | | | | |
| Pulse Operation | | YES | | | | | | | | | | | | | | | | | | | | | | | |
| Max. Lighting Supply Voltage (Constant voltage power supply) | (V) | Pulsing at 24VDC to 48VDC, 0-10% Duty Cycle, Recommended at 36VDC | | | | | | | | | | | | | | | | | | | | | | | |
| Pulse Current, (Max. 10msec) (Constant current power supply) | (mA) | 1512 | | | | | | | | | | | | | | | | | | | | | | | |
| Max. Trigger Pulse Duration | (msec) | 10 | | | | | | | | | | | | | | | | | | | | | | | |
| Duty Cycle | | 0-10% | | | | | | | | | | | | | | | | | | | | | | | |
| Additional Information | | | | | | | | | | | | | | | | | | | | | | | | | |
| Additional Cooling Method | | Attached to machine part for better heat dissipation | | | | | | | | | | | | | | | | | | | | | | | |
| Intensity Controller Selection | | ANG, ST, SD and SDA Series | | | | | | | | | | | | | | | | | | | | | | | |
| CE Conformity | | YES | | | | | | | | | | | | | | | | | | | | | | | |
| RoHS Compliance | | YES | | | | | | | | | | | | | | | | | | | | | | | |
| Connection | | | | | | | | | | | | | | | | | | | | | | | | | |
| Connector Type (Default): | | JST SMR-03V | | | | | | | | | | | | | | | | | | | | | | | |
| Cable Length out from lighting : | (mm) | 500 | | | | | | | | | | | | | | | | | | | | | | | |
| Pin Configuration : | | Pin | Signal | Cable Color | | | | | | | | | | | | | | | | | | | | | |
| | | 1 | LED + | RED | | | | | | | | | | | | | | | | | | | | | |
| | | 2 | N.C. | --- | | | | | | | | | | | | | | | | | | | | | |
| | | 3 | LED - | WHITE | | | | | | | | | | | | | | | | | | | | | |
| | |  | | | | | | | | | | | | | | | | | | | | | | | |
| Application | | | | | | | | | | | | | | | | | | | | | | | | | |
| Illumination Type | | Direct Illumination | | | | | | | | | | | | | | | | | | | | | | | |
| Appicattion Use | | General illumination, label inspection, character inspection, code recognition. | | | | | | | | | | | | | | | | | | | | | | | |



VISION CONSULTANCY
MAKING THE UNSEEN VISIBLE

Thank you for downloading this document from
www.machine-vision-shop.com

If you have any questions, you need help composing the
right package for your application or do you want to order?

Feel free to contact us via e-mail at sales@vision-consultancy.nl or visit our webshop.

Our vision experts are happy to help you.



Natascha Overhof



Christian Cromptoets



VISION CONSULTANCY

Robert Schumandomein 2
6229 ES Maastricht
The Netherlands

+31 (0) 438 522 651

sales@vision-consultancy.nl
www.machine-vision-shop.com

Scan me to visit
[machine-vision-shop](http://machine-vision-shop.com)

