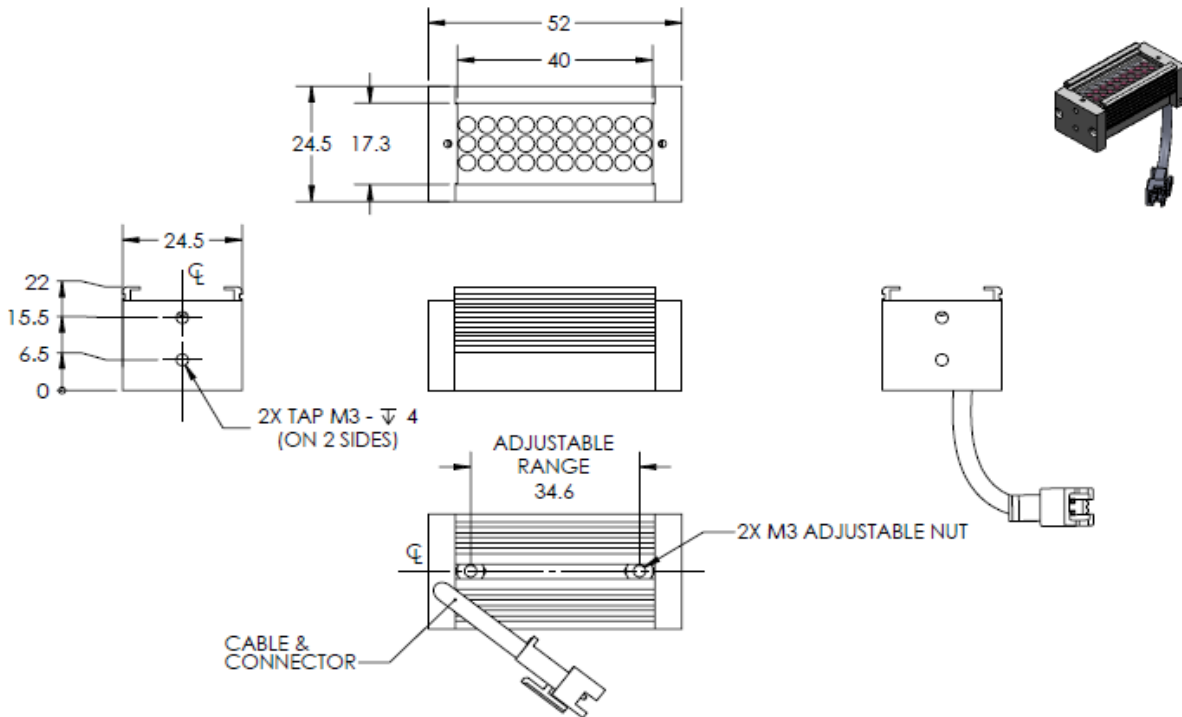




# ILLUMINATOR DATA-ID

## LBRX-00-040-3-R-12V

### Lighting Dimension




Mechanical Information	
Casing Material	Aluminium
Storage Temperature Range	Temp 0-45°C, Humidity 20-85%
Weight	50 g
Length / Outer Diameter	52 mm
Width / Inner Diameter	24.5 mm
Thickness	22 mm



# ILLUMINATOR DATA-ID

## LBRX-00-040-3-R-12V

Optical Information				
Part Number	LBRX-00-040-3-R-12V			
LED Color	RED			
Wavelength	(nm)	630		
Intensity	(Lux)	3010	2540	2200
Working Distance	(mm)	80	90	100
Illumination (number of row)	3			
Illumination Active Area				
Active Length / Outer Dia.	(mm)	40		
Active Width / Inner Dia.	(mm)	17.3		
Emission angle	(deg.)	0		
Eye Safety Class	EXEMPT			
Electrical Information				
Lighting Supply Voltage (constant voltage mode)	12V ± 2%			
Continuous Current	(mA)	60		
Power Consumption	(W)	0.72		
Lighting casing temperature, Operating after 60 minutes	°C	51		
Strobe Mode Specification				
Pulse Operation	YES			
Max. Lighting Supply Voltage (Constant voltage power supply)	(V)	Pulsing at 12VDC to 24VDC, 0-10% Duty Cycle Recommended at 18VDC		
Pulse Current, (Max. 10msec) (Constant current power supply)	(mA)	180		
Max. Trigger Pulse Duration	(msec)	10		
Duty Cycle	0-10%			
Additional Information				
Additional Cooling Method	Attached to machine part for better heat dissipation			
Intensity Controller Selection	ANG, SD, ST and SDA Series			
CE Conformity	YES			
RoHS Compliance	YES			
Connection				
Connector Type (Default):	JST SMR-02V			
Cable Length out from lighting :	(mm)	500		
Pin Configuration :		Pin	Signal	Cable Color
		1	LED +	RED
		2	LED -	WHITE
				
Application				
Illumination Type	Direct Illumination			
Application Use	General illumination, label inspection, character inspection, code recognition			



**VISION CONSULTANCY**  
MAKING THE UNSEEN VISIBLE

Thank you for downloading this document from  
[www.machine-vision-shop.com](http://www.machine-vision-shop.com)

If you have any questions, you need help composing the  
right package for your application or do you want to order?

Feel free to contact us via e-mail at [sales@vision-consultancy.nl](mailto:sales@vision-consultancy.nl) or visit our webshop.

Our vision experts are happy to help you.



Natascha Overhof



Christian Cromptvoets



**VISION CONSULTANCY**

Robert Schumandomein 2  
6229 ES Maastricht  
The Netherlands

+31 (0) 438 522 651

[sales@vision-consultancy.nl](mailto:sales@vision-consultancy.nl)  
[www.machine-vision-shop.com](http://www.machine-vision-shop.com)

Scan me to visit  
[machine-vision-shop](http://machine-vision-shop.com)

