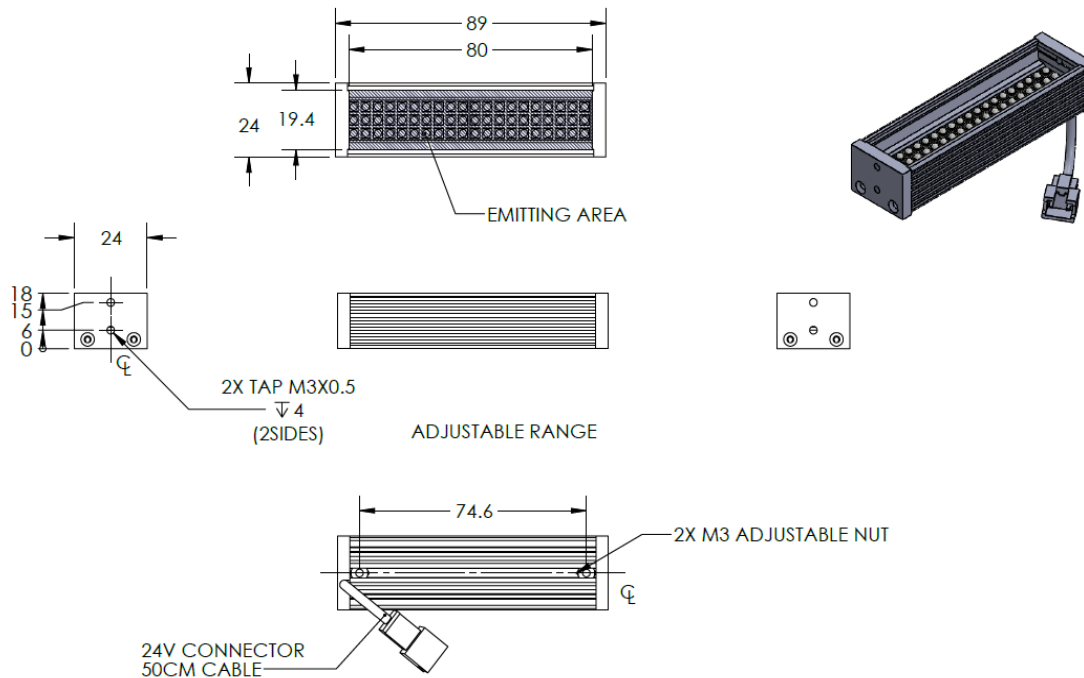




# PRE-ILLUMINATOR DATA (ID)

## LBS40-00-080-3-B-24V

### Lighting Dimension




Mechanical Information	
Casing Material	Aluminium
Storage Temperature Range	Temp 0-45°C, Humidity 20-85%
Weight	60 g
Length / Outer Diameter	89 mm
Width / Inner Diameter	24 mm
Thickness / Height	18 mm



# PRE-ILLUMINATOR DATA (ID)

## LBS40-00-080-3-B-24V

Optical Information				
Part Number	LBS40-00-080-3-B-24V			
LED Color	BLUE			
Wavelength	(nm)	470		
Intensity (±15)	(Lux)	TBA	TBA	TBA
Working Distance	(mm)	80	90	100
Illumination (number of row)	3			
Illumination Active Area				
Active Length / Outer Dia.	(mm)	80		
Active Width / Inner Dia.	(mm)	19,4		
Emission angle	(deg.)	0		
Eye Safety Class ( IEC62471 )	II			
Electrical Information				
Lighting Supply Voltage (constant voltage mode)	24V ± 2%			
Continuous Current	(mA)	150		
Power Consumption	(W)	3.6		
Lighting casing temperature, Operating after 60 minutes	°C	TBA		
Strobe Mode Specification				
Pulse Operation	YES			
Max. Lighting Supply Voltage (Constant voltage power supply)	(V)	Pulsing at 24VDC to 48VDC, 0-10% Duty Cycle Recommended at 36VDC		
Pulse Current, (Max. 10msec) (Constant current power supply)	(mA)	450		
Max. Trigger Pulse Duration	(msec)	10		
Duty Cycle	0-10%			
Additional Information				
Additional Cooling Method	Attached to machine part for better heat dissipation			
Intensity Controller Selection	ANG,ST,SD AND SDA SERIES			
CE Conformity	YES			
RoHS Compliance	YES			
Connection				
Connector Type (Default):	JST SMR-03V			
Cable Length out from lighting :	(mm)	500		
Pin Configuration :		Pin	Signal	Cable Color
		1	LED +	RED
		2	N.C.	---
		3	LED -	WHITE
				
Application				
Illumination Type	Direct Illumination			
Application Use	General illumination, label inspection, character inspection			



**VISION CONSULTANCY**  
MAKING THE UNSEEN VISIBLE

Thank you for downloading this document from  
[www.machine-vision-shop.com](http://www.machine-vision-shop.com)

If you have any questions, you need help composing the  
right package for your application or do you want to order?

Feel free to contact us via e-mail at [sales@vision-consultancy.nl](mailto:sales@vision-consultancy.nl) or visit our webshop.

Our vision experts are happy to help you.



Natascha Overhof



Christian Cromptvoets



**VISION CONSULTANCY**

Robert Schumandomein 2  
6229 ES Maastricht  
The Netherlands

+31 (0) 438 522 651

[sales@vision-consultancy.nl](mailto:sales@vision-consultancy.nl)  
[www.machine-vision-shop.com](http://www.machine-vision-shop.com)

Scan me to visit  
[machine-vision-shop](http://machine-vision-shop.com)

