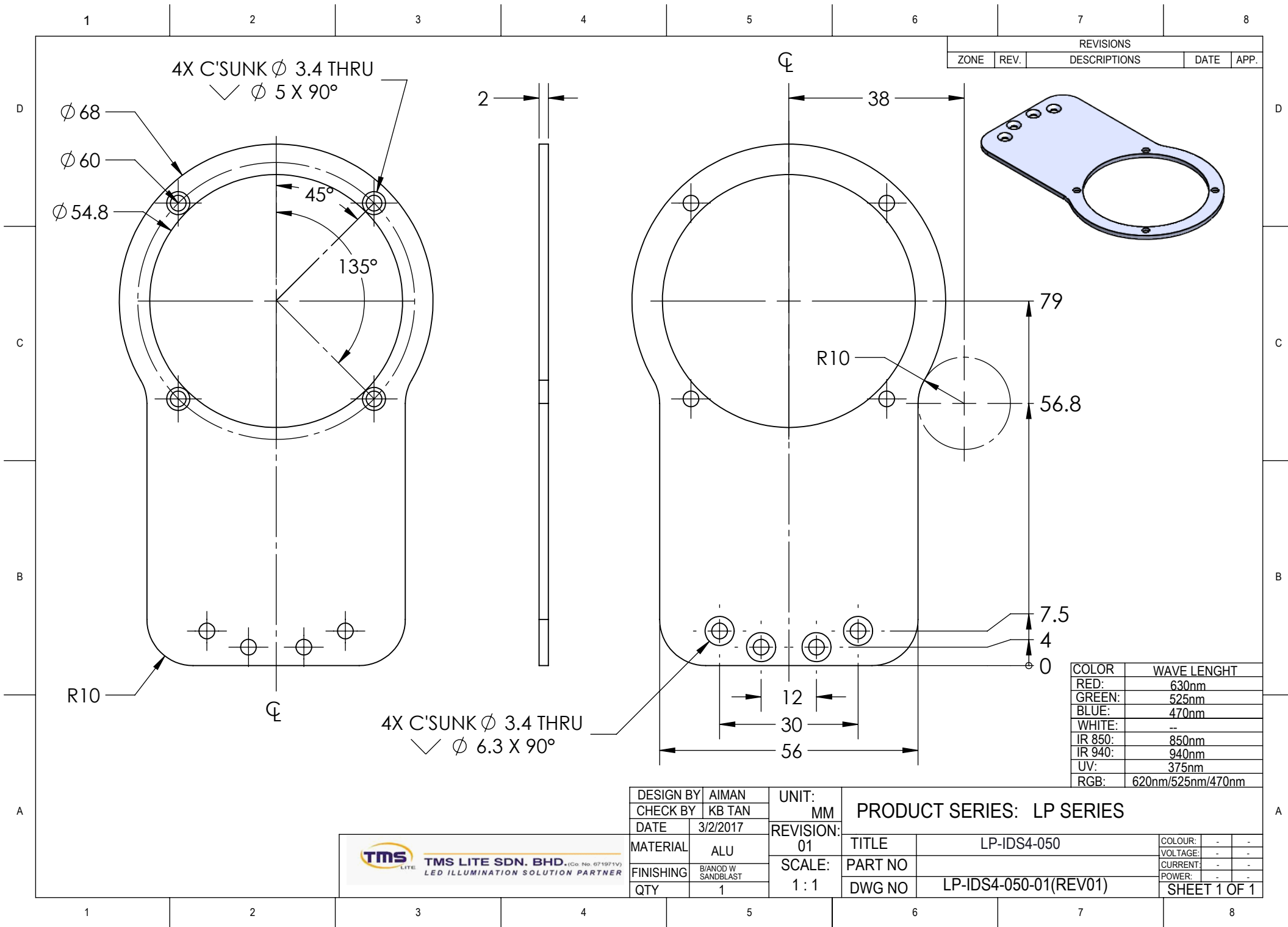


REVISIONS				
ZONE	REV.	DESCRIPTIONS	DATE	APP.



COLOR	WAVE LENGHT
RED:	630nm
GREEN:	525nm
BLUE:	470nm
WHITE:	--
IR 850:	850nm
IR 940:	940nm
UV:	375nm
RGB:	620nm/525nm/470nm

DESIGN BY	AIMAN	UNIT: MM	PRODUCT SERIES: LP SERIES		
CHECK BY	KB TAN				
DATE	3/2/2017	REVISION:	TITLE		
MATERIAL	ALU	01	LP-IDS4-050		
FINISHING	BIANOD W SANDBLAST	SCALE:	PART NO		
QTY	1	1 : 1	DWG NO		
			LP-IDS4-050-01(REV01)		
			COLOUR: - - -		
			VOLTAGE: - - -		
			CURRENT: - - -		
			POWER: - - -		
			SHEET 1 OF 1		

