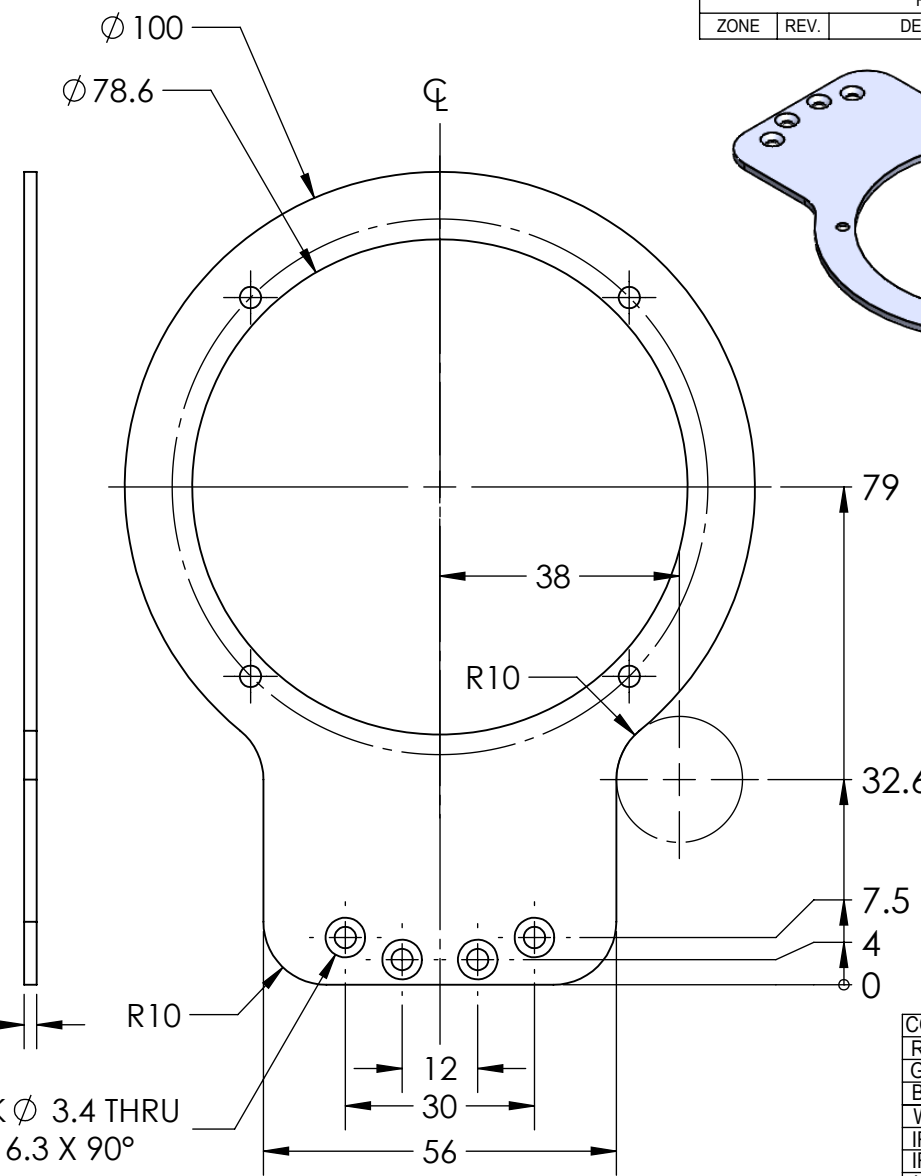
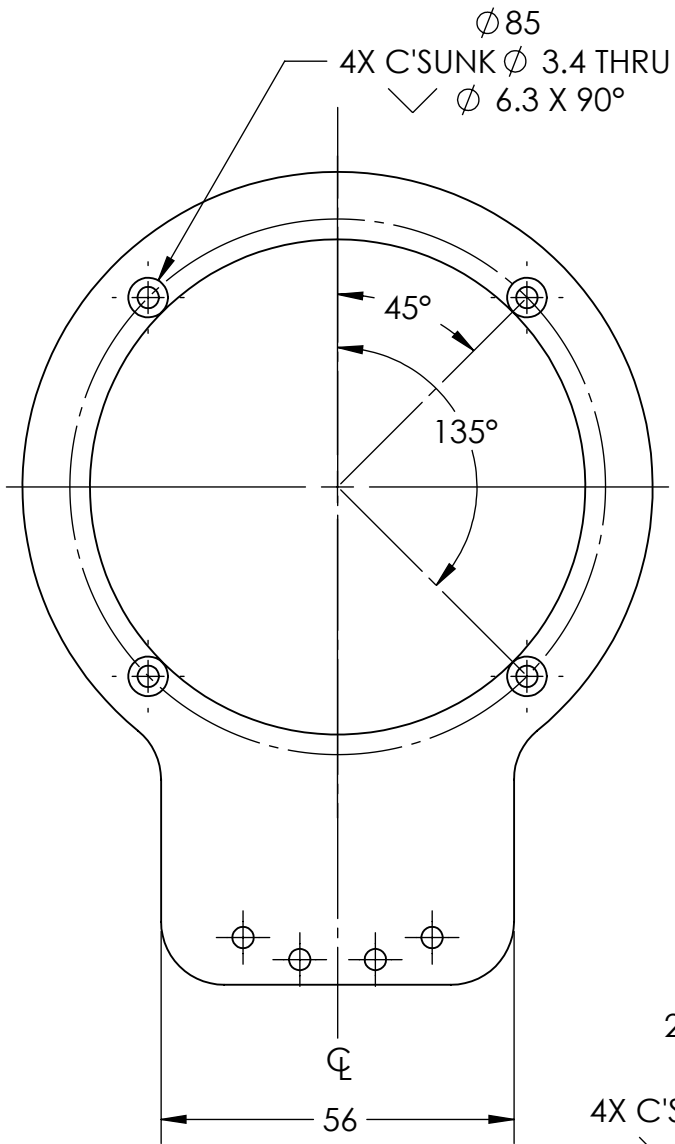
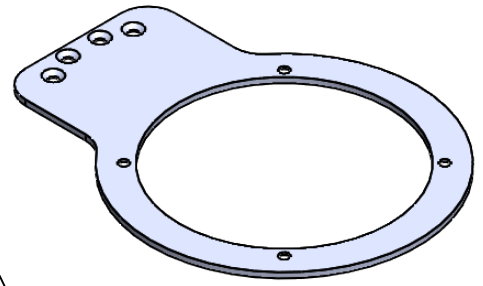


REVISIONS				
ZONE	REV.	DESCRIPTIONS	DATE	APP.



COLOR	WAVE LENGHT
RED:	630nm
GREEN:	525nm
BLUE:	470nm
WHITE:	--
IR 850:	850nm
IR 940:	940nm
UV:	375nm
RGB:	620nm/525nm/470nm



DESIGN BY	AIMAN	UNIT:	MM	PRODUCT SERIES: LP SERIES	
CHECK BY	KB TAN	REVISION:	01	TITLE	LP-IDS4-070
DATE	3/2/2017	SCALE:	1:1	PART NO	LP-IDS4-070-01(REV01)
MATERIAL	ALU	DWG NO	LP-IDS4-070-01(REV01)	COLOUR:	- - -
FINISHING	BIANOD W SANDBLAST	QTY	1	VOLTAGE:	- - -
				CURRENT:	- - -
				POWER:	- - -

SHEET 1 OF 1