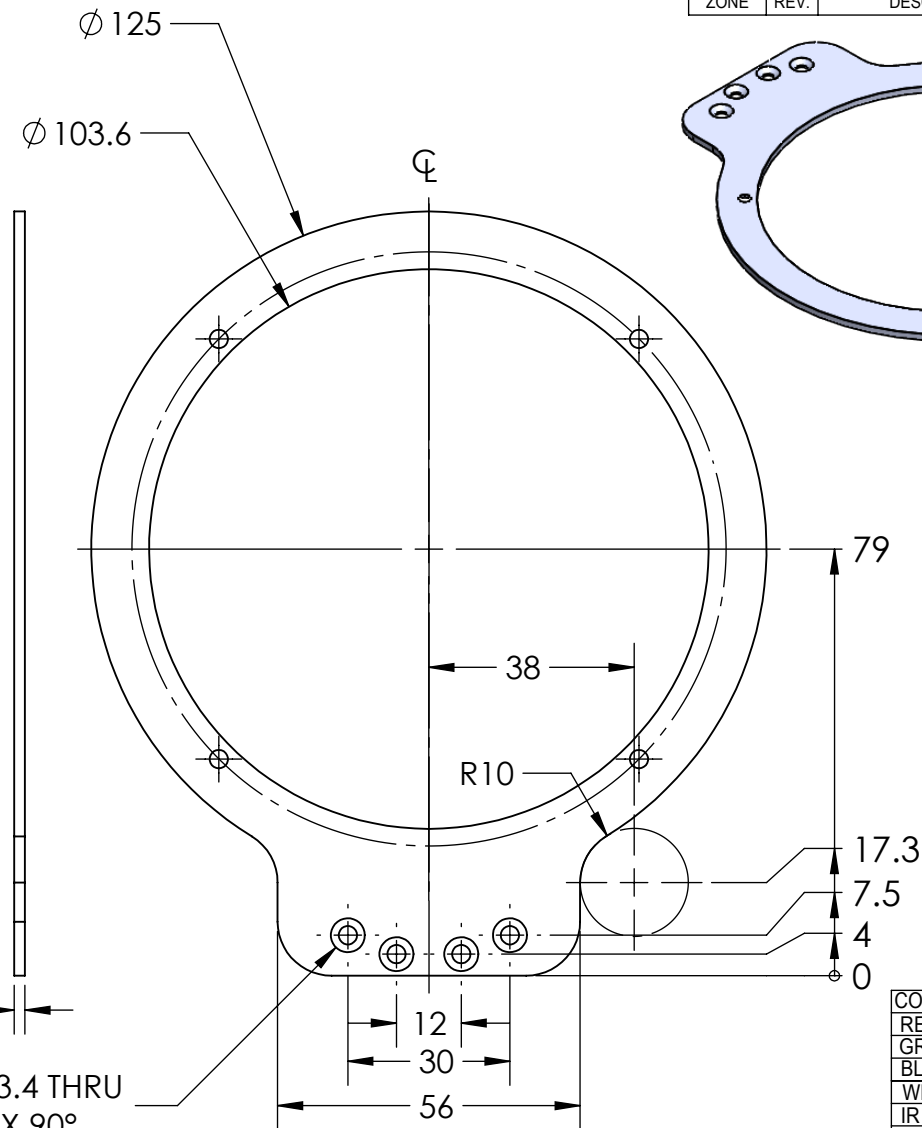
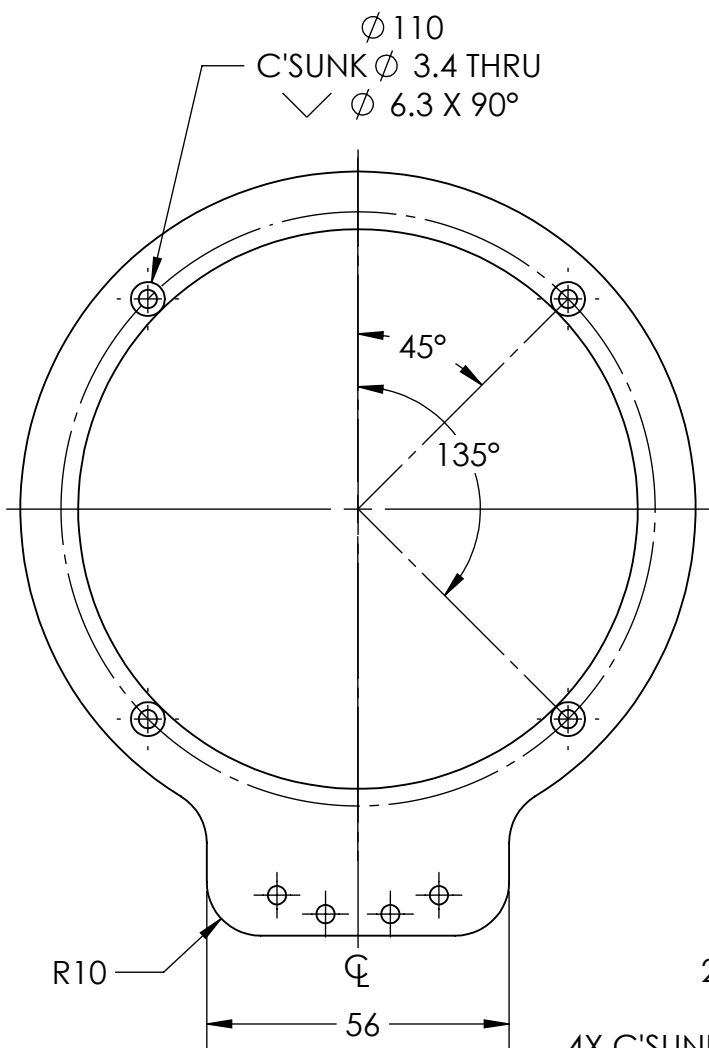
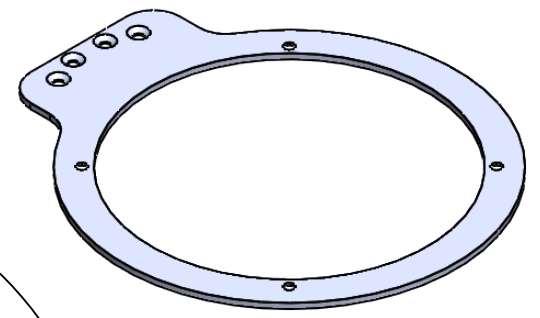


| REVISIONS |      |              |      |      |
|-----------|------|--------------|------|------|
| ZONE      | REV. | DESCRIPTIONS | DATE | APP. |
|           |      |              |      |      |



4X C'SUNK  $\phi 3.4$  THRU  
 $\sphericalangle \phi 6.3 \times 90^\circ$

| COLOR   | WAVE LENGHT       |
|---------|-------------------|
| RED:    | 630nm             |
| GREEN:  | 525nm             |
| BLUE:   | 470nm             |
| WHITE:  | --                |
| IR 850: | 850nm             |
| IR 940: | 940nm             |
| UV:     | 375nm             |
| RGB:    | 620nm/525nm/470nm |



|           |                       |              |                           |   |   |
|-----------|-----------------------|--------------|---------------------------|---|---|
| DESIGN BY | AIMAN                 | UNIT:<br>MM  | PRODUCT SERIES: LP SERIES |   |   |
| CHECK BY  | KB TAN                |              |                           |   |   |
| DATE      | 3/2/2017              | REVISION:    | 01                        |   |   |
| MATERIAL  | ALU                   | SCALE:       | 1 : 1                     |   |   |
| FINISHING | BIANOD W<br>SANDBLAST | TITLE        | LP-IDS4-100               |   |   |
| QTY       | 1                     | PART NO      | LP-IDS4-100-01(REV01)     |   |   |
|           |                       | DWG NO       | LP-IDS4-100-01(REV01)     |   |   |
|           |                       | COLOUR:      | -                         | - | - |
|           |                       | VOLTAGE:     | -                         | - | - |
|           |                       | CURRENT:     | -                         | - | - |
|           |                       | POWER:       | -                         | - | - |
|           |                       | SHEET 1 OF 1 |                           |   |   |