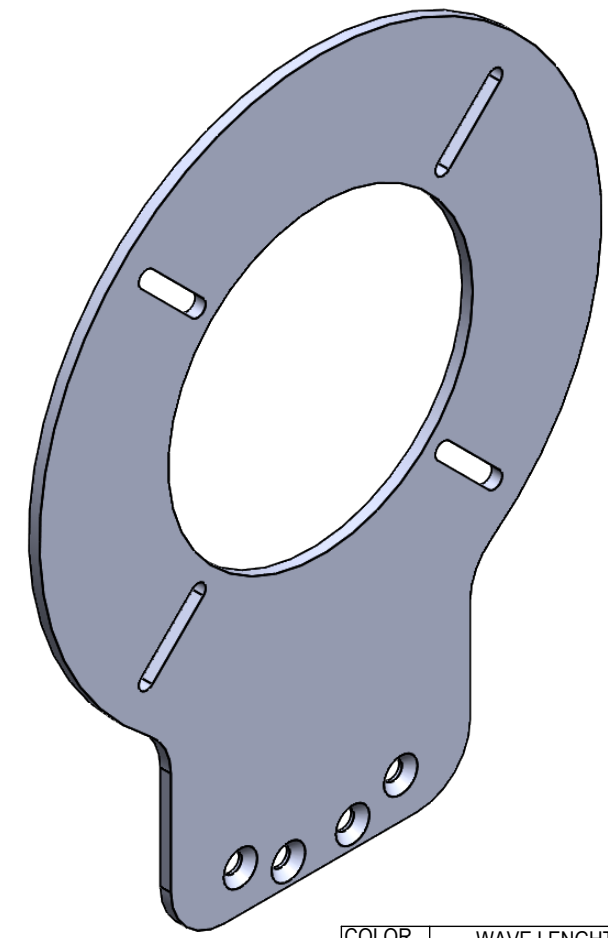
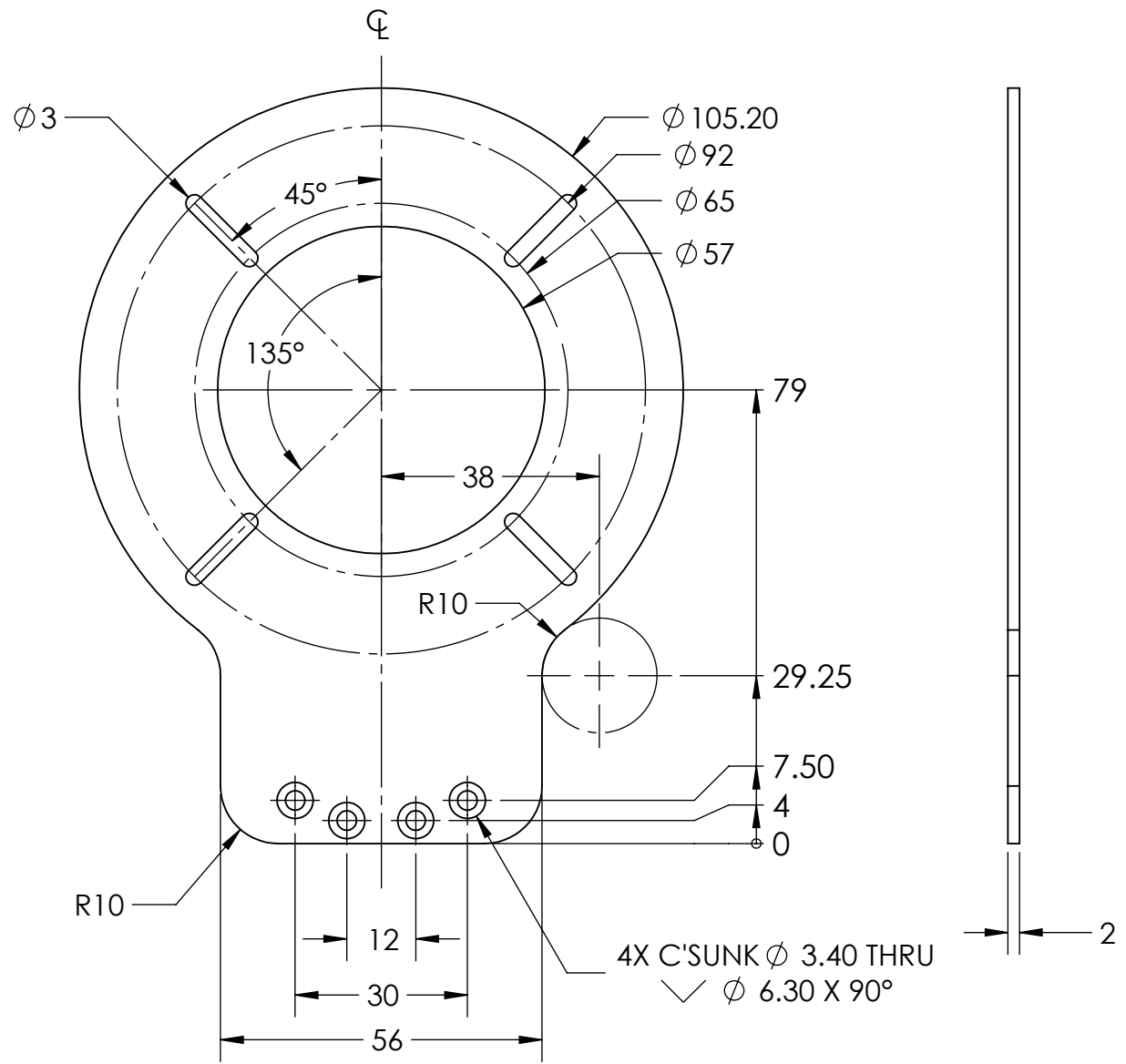


REVISIONS

ZONE	REV.	DESCRIPTIONS	DATE	APP.
------	------	--------------	------	------



COLOR	WAVE LENGHT
RED:	630nm
GREEN:	525nm
BLUE:	470nm
WHITE:	--
IR 850:	850nm
IR 940:	940nm
UV:	375nm
RGB:	620nm/525nm/470nm



DESIGN BY	AIMAN	UNIT:	MM	PRODUCT SERIES: LP SERIES	
CHECK BY	KB TAN	REVISION:	01	TITLE	LPR-057-065092
DATE	3/2/2017	SCALE:	1:1	PART NO	
MATERIAL	ALU	DWG NO	LPR-057-065092-01(REV01)	COLOUR:	- - -
FINISHING	BIANOD W/ SANDBLAST			VOLTAGE:	- - -
QTY	1			CURRENT:	- - -
				POWER:	- - -