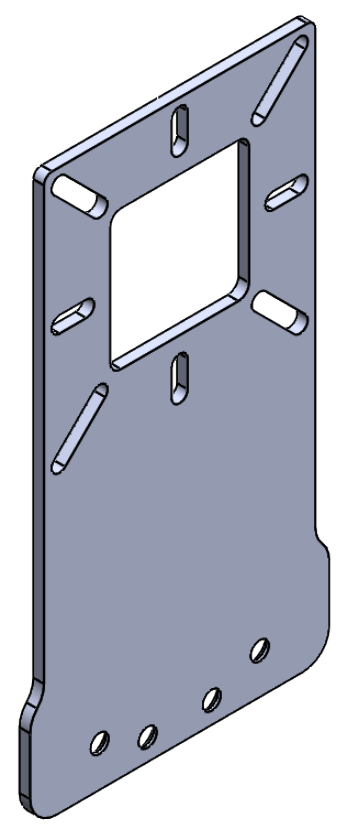
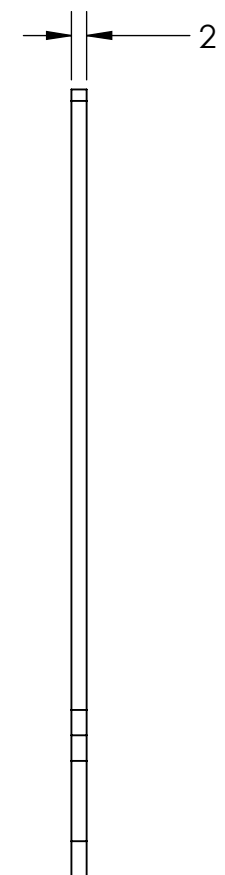
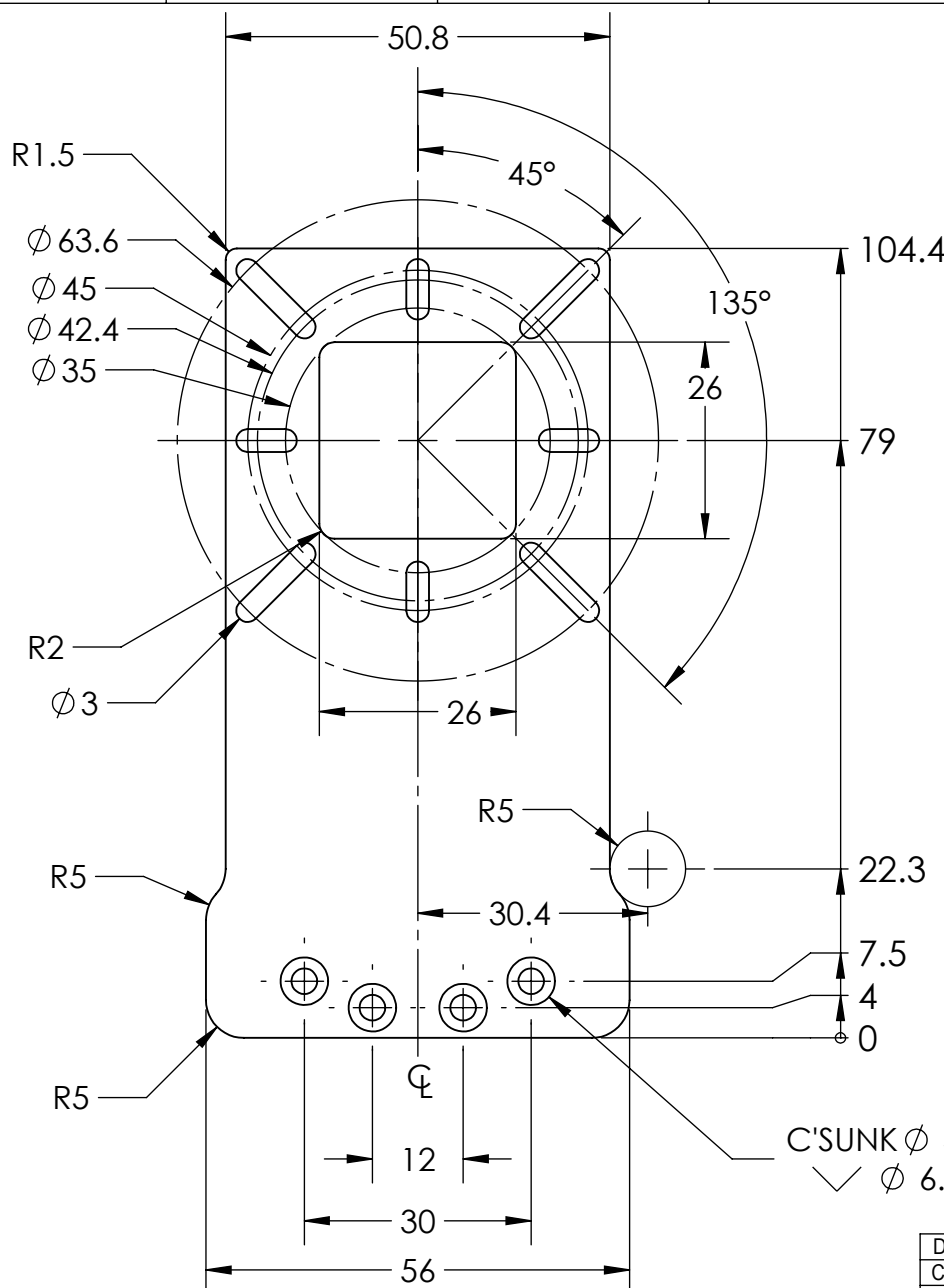


REVISIONS				
ZONE	REV.	DESCRIPTIONS	DATE	APP.



COLOR	WAVE LENGHT
RED:	630nm
GREEN:	525nm
BLUE:	470nm
WHITE:	--
IR 850:	850nm
IR 940:	940nm
UV:	375nm
RGB:	620nm/525nm/470nm



DESIGN BY	AIMAN	UNIT:	MM	PRODUCT SERIES: LP SERIES				
CHECK BY	KB TAN							
DATE	3/2/2017	REVISION:	01	TITLE	LPS-026-035064	COLOUR:	-	-
MATERIAL	ALU	SCALE:	1:1	PART NO		VOLTAGE:	-	-
FINISHING	B/ANOD W SANDBLAST	DWG NO	LPS-026-035064-01(REV01)			CURRENT:	-	-
QTY	1					POWER:	-	-
						SHEET 1 OF 1		