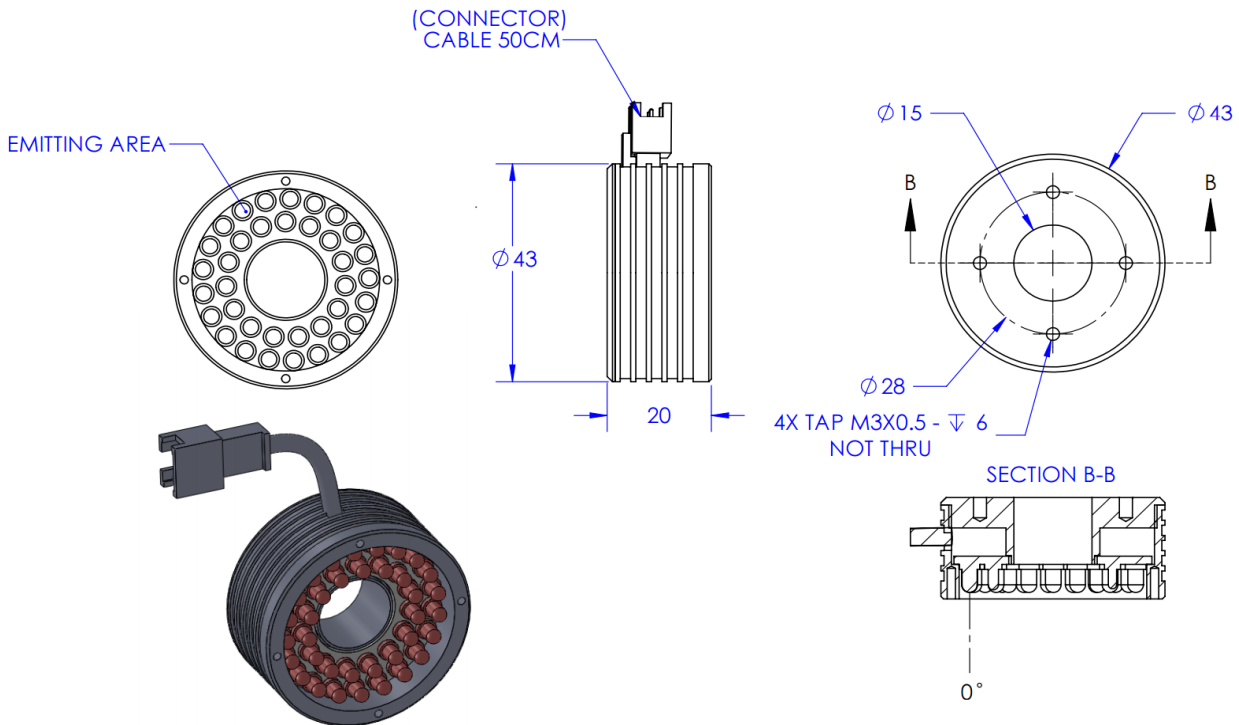




# ILLUMINATOR DATA-ID

## LSW-00-040-2-W-24V

### Lighting Dimension




Mechanical Information	
Casing Material	Aluminium
Storage Temperature Range	Temp 0 - 45°C, Humidity 20-85%
Weight	40 g
Length / Outer Diameter	43 mm
Width / Inner Diameter	15 mm
Thickness / Height	20 mm



# ILLUMINATOR DATA-ID

## LSW-00-040-2-W-24V

Optical Information																												
Part Number		LSW-00-040-2-W-24V																										
LED Color		WHITE																										
Wavelength	(nm)	* Refer to the Chromaticity Table Below																										
Intensity (±15%)	(Lux)	43300	38200	33900	48100	30200																						
Working Distance	(mm)	44	49	54	39	59																						
Illumination (number of row)		2																										
Illumination Active Area																												
Active Length / Outer Diameter	(mm)	36																										
Active Width / Inner Diameter	(mm)	16																										
Emission angle	(deg.)	0																										
Eye Safety Class ( IEC62471 )		EXEMPT																										
*CHROMATICITY TABLE		<table border="1"> <tr> <td>X</td> <td>0.296</td> <td>0.287</td> <td>0.307</td> <td>0.311</td> <td></td> <td>X</td> <td>0.311</td> <td>0.307</td> <td>0.33</td> <td>0.33</td> </tr> <tr> <td>Y</td> <td>0.276</td> <td>0.295</td> <td>0.315</td> <td>0.294</td> <td></td> <td>Y</td> <td>0.294</td> <td>0.315</td> <td>0.339</td> <td>0.318</td> </tr> </table>					X	0.296	0.287	0.307	0.311		X	0.311	0.307	0.33	0.33	Y	0.276	0.295	0.315	0.294		Y	0.294	0.315	0.339	0.318
X	0.296	0.287	0.307	0.311		X	0.311	0.307	0.33	0.33																		
Y	0.276	0.295	0.315	0.294		Y	0.294	0.315	0.339	0.318																		
Electrical Information																												
Lighting Supply Voltage (constant voltage mode)		24V ± 2%																										
Continuous Current	(mA)	75																										
Power Consumption	(W)	1.8																										
Lighting casing temperature, Operating after 60 minutes	°C	48.3																										
Strobe Mode Specification																												
Pulse Operation		YES																										
Max. Lighting Supply Voltage (Constant voltage power supply)	(V)	Pulsing at 24VDC to 48VDC, 0-10% Duty Cycle, Recommended at 36VDC																										
Pulse Current, (Max. 10msec) (Constant current power supply)	(mA)	225																										
Max. Trigger Pulse Duration	(msec)	10																										
Duty Cycle		0-10%																										
Additional Information																												
Additional Cooling Method		Attached to machine part for better heat dissipation																										
Intensity Controller Selection		ANG, ST, SD and SDA Series																										
CE Conformity		YES																										
RoHS Compliance		YES																										
Connection																												
Connector Type (Default):		JST SMR-03V																										
Cable Length out from lighting :	(mm)	500																										
Pin Configuration :		Pin	Signal		Cable Color																							
		1	LED +		RED																							
		2	N.C.		---																							
		3	LED -		WHITE																							
																												
Application																												
Illumination Type		Direct Illumination																										
Application Use		Substrate inspection, label inspection, flat surface, fiducially recognition.																										



**VISION CONSULTANCY**  
MAKING THE UNSEEN VISIBLE

Thank you for downloading this document from  
[www.machine-vision-shop.com](http://www.machine-vision-shop.com)

If you have any questions, you need help composing the  
right package for your application or do you want to order?

Feel free to contact us via e-mail at [sales@vision-consultancy.nl](mailto:sales@vision-consultancy.nl) or visit our webshop.

Our vision experts are happy to help you.



Natascha Overhof



Christian Cromptvoets



**VISION CONSULTANCY**

Robert Schumandomein 2  
6229 ES Maastricht  
The Netherlands

+31 (0) 438 522 651

[sales@vision-consultancy.nl](mailto:sales@vision-consultancy.nl)  
[www.machine-vision-shop.com](http://www.machine-vision-shop.com)

Scan me to visit  
[machine-vision-shop](http://machine-vision-shop.com)

