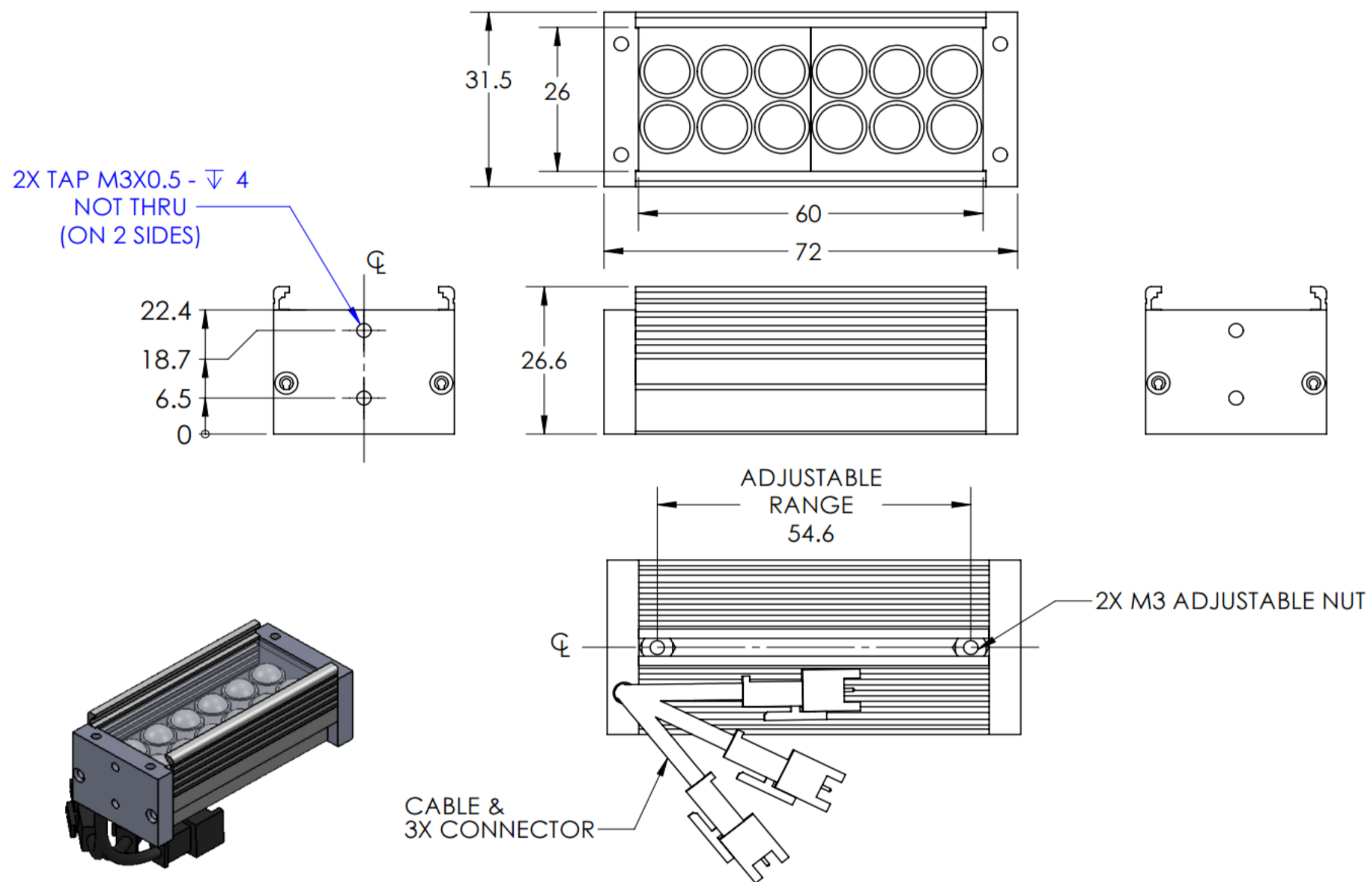




ILLUMINATOR DATA-ID

MLBX2-00-060-2-RGB-24V

Lighting Dimension




Mechanical Information	
Casing Material	Aluminium
Storage Temperature Range	Temp 0-45°C, Humidity 20-85%
Weight	90 g
Length / Outer Diameter	72 mm
Width / Inner Diameter	31.5 mm
Thickness / Height	26.6 mm



ILLUMINATOR DATA-ID

MLBX2-00-060-2-RGB-24V

Optical Information		MLBX2-00-060-2-RGB-24V								
Part Number		MLBX2-00-060-2-RGB-24V								
LED Color		RED			GREEN			BLUE		
Wavelength	(nm)	630			525			470		
Intensity (±15%)	(Lux)	TBA	TBA	TBA	TBA	TBA	TBA	TBA	TBA	TBA
Working Distance	(mm)	TBA	TBA	TBA	TBA	TBA	TBA	TBA	TBA	TBA
Illumination (number of row)		2								
Illumination Active Area										
Active Length / Outer Diameter	(mm)	60								
Active Width / Inner Diameter	(mm)	26								
Emission angle	(deg.)	0								
Eye Safety Class (IEC62471)		EXEMPT			EXEMPT			II		
Electrical Information										
Lighting Supply Voltage (constant voltage mode)		24V ± 2%								
Continuous Current	(mA)	RED	50		GREEN	40		BLUE	40	
Power Consumption	(W)		1.2			0.96			0.96	
Lighting casing temperature, Operating after 60 minutes	°C		51.5			51.5			51.5	
Max. continous current of RED, GREEN & BLUE LEDs on at the same time	(mA)	RED, GREEN & BLUE LEDs on at the same time are not recommended								
Strobe Mode Specification										
Pulse Operation		YES								
Max. Lighting Supply Voltage (Constant voltage power supply)	(V)	Pulsing at 24VDC to 48VDC, 0-10% Duty Cycle, Recommended at 36VDC								
Pulse Current, (Max. 10msec) (Constant current power supply)	(mA)	RED	150		GREEN	120		BLUE	120	
Max. pulse current of RED, GREEN & BLUE LEDs on at the same time	(V)	RED, GREEN & BLUE LEDs on at the same time are not recommended								
Max. Trigger Pulse Duration	(msec)	10								
Duty Cycle		0-10%								
Additional Information										
Additional Cooling Method		Attached to machine part for better heat dissipation								
Intensity Controller Selection		ANG, SD, ST & SDA Series								
CE Conformity		YES								
RoHS Compliance		YES								
Connection										
Connector Type (Default):		JST SMR-03V								
Cable Length out from lighting :	(mm)	500								
Pin Configuration :		Pin		Signal		Cable Color				
		1		LED +		RED				
		2		N.C.		---				
		3		LED -		WHITE				
										
Application										
Illumination Type		Direct Illumination								
Appicattion Use		General illumination, label inspection, character inspection, code recognition.								



VISION CONSULTANCY
MAKING THE UNSEEN VISIBLE

Thank you for downloading this document from
www.machine-vision-shop.com

If you have any questions, you need help composing the
right package for your application or do you want to order?

Feel free to contact us via e-mail at sales@vision-consultancy.nl or visit our webshop.

Our vision experts are happy to help you.



Natascha Overhof



Christian Cromptvoets



VISION CONSULTANCY

Robert Schumandomein 2
6229 ES Maastricht
The Netherlands

+31 (0) 438 522 651

sales@vision-consultancy.nl
www.machine-vision-shop.com

Scan me to visit
[machine-vision-shop](http://machine-vision-shop.com)

